



# SPECIFICATION

## FOR APPRONAL

Customer : \_\_\_\_\_

Product Name : Magnetic Buzzer(Self-drive)

Model Name : VSX095505F27

Drawing No. : VS20190504011

### Signature of Voise

Approved by	Checkde by	Issued by	Date



福爱斯电子有限公司  
VOISE ELECTRONICS CO.,LTD.

Office Add:Haoyangguang B-302# No.968 Baizhang Road,Ningbo China

Factory add: Shishan Industrial Park Moushan Town Yuyao City China

Tel:86-0574-87471601 Fax:86-0574-87471600 P.C.315040

Http://www.nbvoise.com E-mail:sales@nbvoise.com



Specification for Magnetic Buzzer		Page	2/7
		Revision No.	1.0
Model No.:	VSX095505F27	Drawing No.	VS20190504011

## Table of contents

1. Revision
2. Scope
3. General Characteristics
4. Electrical and Acoustic Characteristics.
5. Reliability Test
6. Measurement Method & Frequency Response curve
7. Dimensions
8. Packing

### 1. Revision

Rev.No.	Date	Page	Description of Revision
1.0	2019/5/4		Preliminary



Specification for Magnetic Buzzer		Page	3/7
		Revision No.	1.0
Model No.:	VSX095505F27	Drawing No.	VS20190504011

## 2. Scope

This product specification is applied to the Magnetic Buzzer in alarm systems. Please contact us when using this product for any other applications than described in the above.

## 3. General Characteristics

- 3.1 Out-Diameter : 9 mm
- 3.2 Height : 5.5 mm
- 3.3 Weight : 1 g
- 3.4 Operating Temperature : -40~+85°C without loss of function
- 3.5 Store Temperature : -40~+90°C without loss of function

## 4. Electrical and Acoustic Characteristics.

Test condition : 15 ~ 35 °C Temp., 25% ~ 75% RH, 86~106 kPa Refer to IEC60268-1

No	Items	Specification
1	Rated Voltage	5V DC
2	Working Voltage	4-8V DC
3	Rated Current	30mA/5VDC
4	Sound Pressure Level	85dB/5VDC/10cm
5	Resonant Frequency	2.7±0.3KHz
6	Tone Nature	Continuous
7	Housing Material	PBT
8	Color	Black

Specification for Magnetic Buzzer		Page	4/7
		Revision No.	1.0
Model No.:	VSX095505F27	Drawing No.	VS20190504011

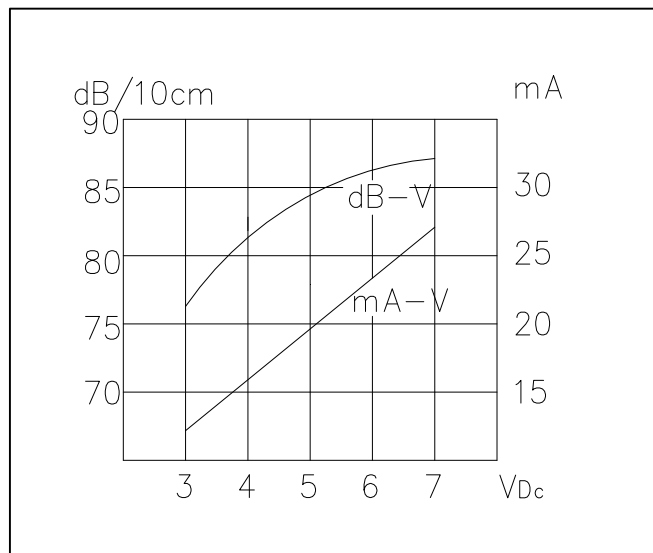
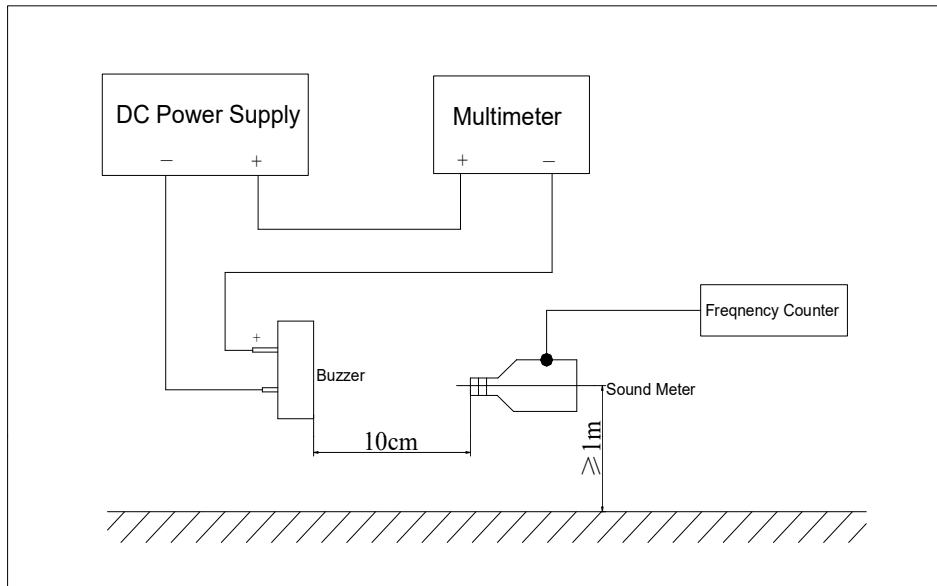
## 5. Reliability Test

After test(1~7item), the buzzer S.P.L . difference shall be within  $\pm 8\text{dB}$ , and the appearance not exist any change to be harmful to normal operation

No	Items	Specification
1	High Temp.Test	After being woked in a chamber with $+85\pm 2\text{ }^{\circ}\text{C}$ for 2h and then being placed in natural condition for 2h, and then check.
2	Low Temp.Test	First being worked in a chamber with $-40\pm 2\text{ }^{\circ}\text{C}$ for 2h and then being placed in natural condtion for 2h, and then check.
3	Humidity Test	After being placed in a chamber with 90 to 95%R.H. at $+40\pm 2\text{ }^{\circ}\text{C}$ for 2 h and then being placed in natural condition for 2h ,and then check.
4	Thermal Shock Test	After being worked in a chamber at $+85\pm 2\text{ }^{\circ}\text{C}$ for 1 hour, then sounder shall be placed in a chamber at $-40\pm 2\text{ }^{\circ}\text{C}$ for 1 hour(1 cycle is the below diagram). The test duration is for 10 cycle.after being placed in natural condition for 1 hour.and then check.
5	Vibration Test	Being applied vibration of amplitude of 1.5mm with 10-30Hz band of vibration frequency,X.Y.Z.3 direction.2 hours each, total 6 hours.
6	Drop Test	Free drop fram 1.0 meter height to a board 20mm thick hard wood board. and be nothing mechanical damage. tatol 6 times.
7	Solderability	Lead terminals are immersed in rosin for 5 seconds and then immersed in solder bath of $+260\pm 5\text{ }^{\circ}\text{C}$ for $3\pm 0.5$ seconds.
8	Terminal Strength Pulling	The force 10 seconds of 9.8N is applied go each terminal in axial direction.

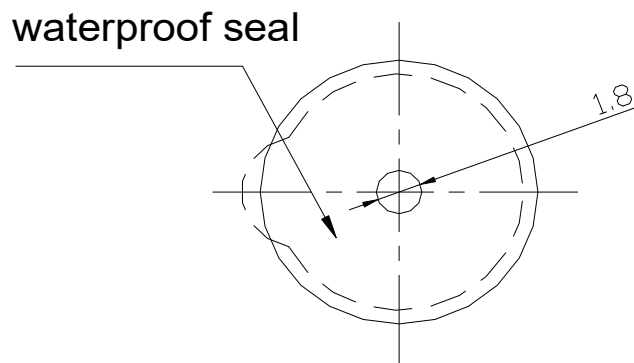
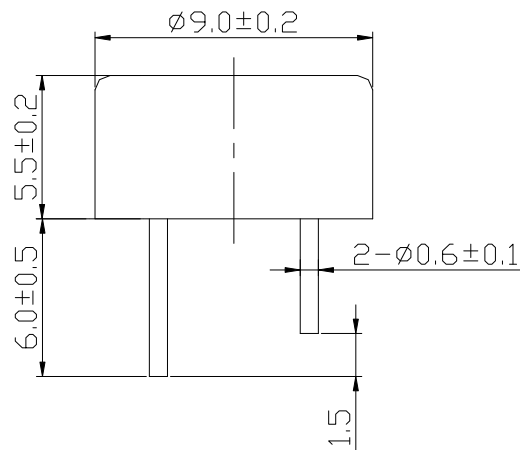
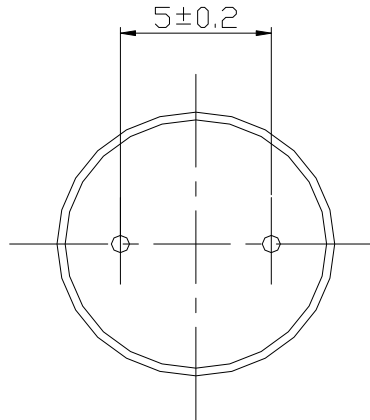
Specification for Magnetic Buzzer		Page	5/7
		Revision No.	1.0
Model No.:	VSX095505F27	Drawing No.	VS20190504011

## 6. Measurement Method & Frequency Response curve

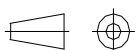


Specification for Magnetic Buzzer		Page	6/7
		Revision No.	1.0
Model No.:	VSX095505F27	Drawing No.	VS20190504011

## 7. Dimensions



FIRST ANGLE PROJECTION



UNIT : mm

Tolerance :  $\pm 0.2$



Specification for Magnetic Buzzer		Page	7/7
		Revision No.	1.0
Model No.:	VSX095505F27	Drawing No.	VS20190504011

## 8. Packing

Each minimum package unit of products shall be in a carton box and it shall be clearly marked with Part Number ,quantity and outgoing inspection number.

There shall be no mechanical damage on products during in storage.