

SPECIFICATION

FOR APPROVAL

Customer : _____

Product Name : Magnetic Buzzer _____

Model Name : VSM9655V5F27PVR42 _____

Drawing No. : VS20220208011 _____

Signature of Voise

Approved by	Checkde by	Issued by	Date

 福爱斯电子有限公司
VOISE ELECTRONICS CO.,LTD.

Address:No 96 Mogao Dongqian Lake Industial Area ningbo,China,
Tel:0086-0574-87773030;Fax:0086-0574-87471600 P.C.315121
<http://www.nbvoise.com> Email:sales@nbvoise.com

Specification for Magnetic Buzzer		Page	2/5
		Revision No.	1.0
Model No.:	VSM9655V5F27PVR42	Drawing No.	VS20220208011

2. Scope

This product specification is applied to the Magnetic Buzzer in alarm systems. Please contact us when using this product for any other applications than described in the above.

3. General Characteristics

- 3.1 Out-Diameter : 9.5 mm
- 3.2 Height : 5.5 mm
- 3.3 Weight : 1.5 g
- 3.4 Operating Temperature : -20~+70°C without loss of function
- 3.5 Store Temperature : -30~+80°C without loss of function

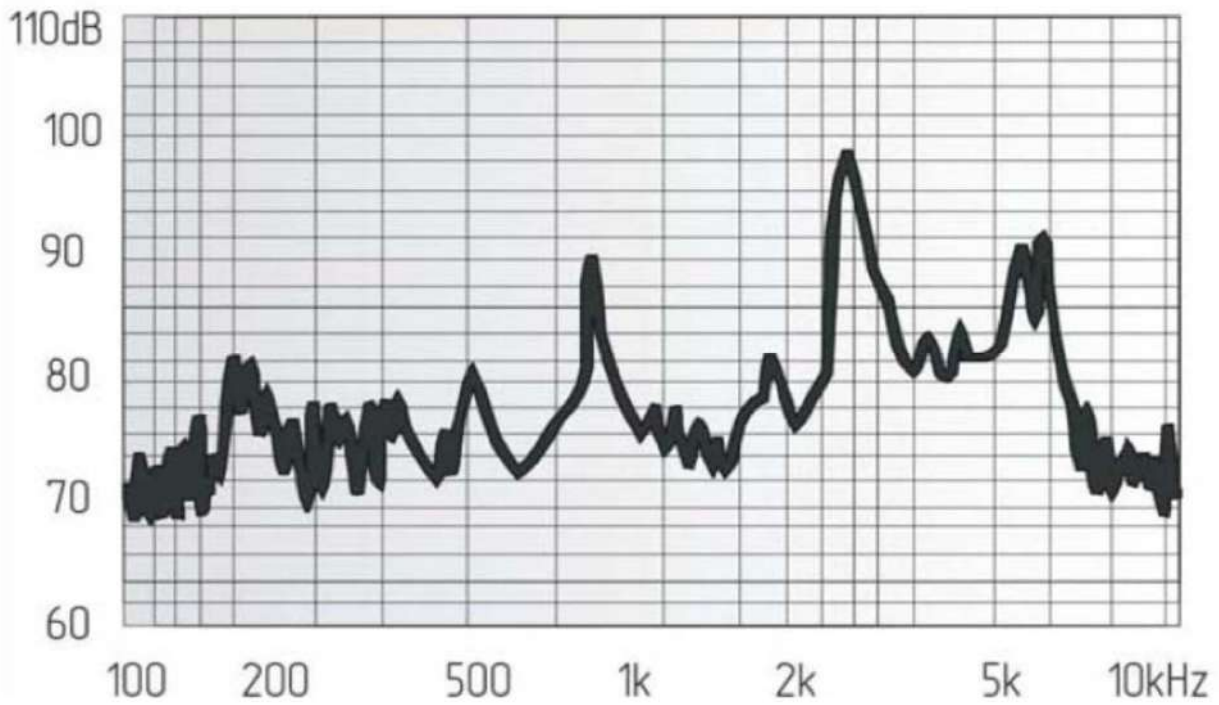
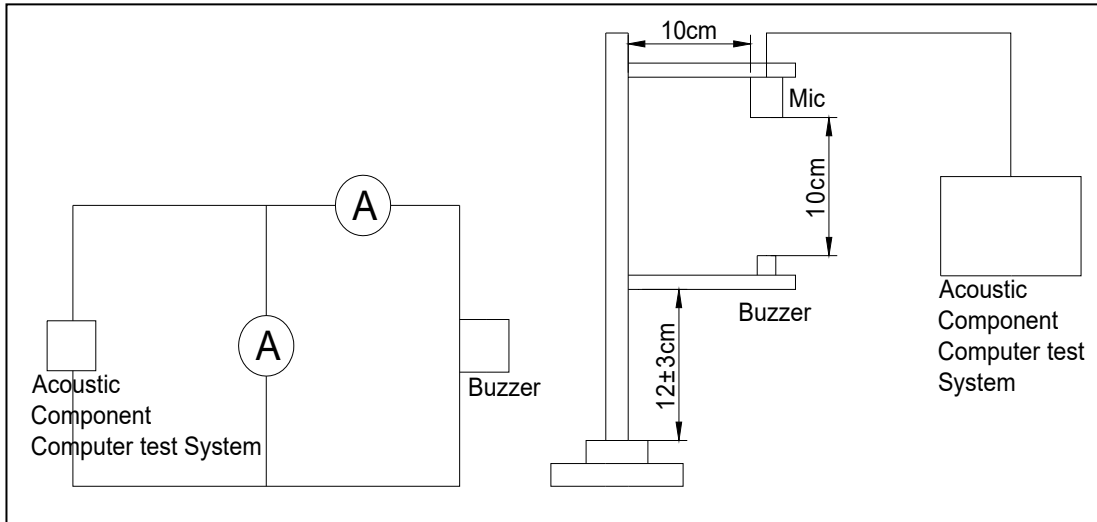
4. Electrical and Acoustic Characteristics.

Test condition :15 ~ 35 °C Temp., 25% ~ 75% RH,86~106 kPa Refer to IEC60268-1

No	Items	Specification
1	Rated Voltage	5V
2	Working Voltage	3-7V
3	Max Rated Current	80mA/5V
4	Min Sound Preesure Level	85dB/5V/2700Hz/10cm
5	Resonant Frequency	2700Hz
6	DC resistance	35±3Ω
7	AC Impedance	42Ω±5Ω
8	Housing Material	PPO
9	Color	Black

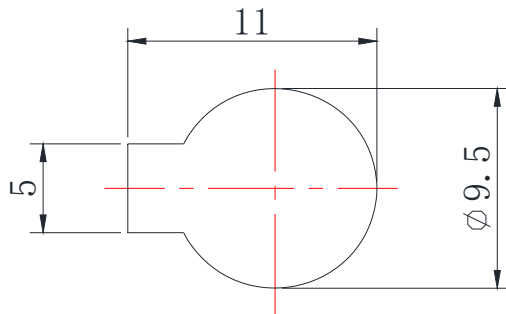
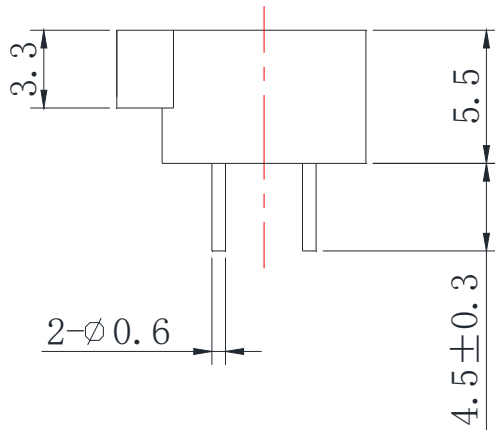
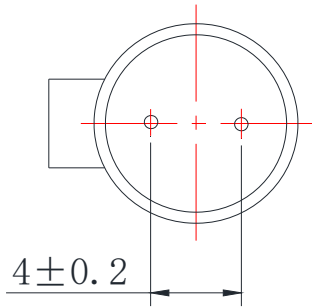
Specification for Magnetic Buzzer		Page	3/5
		Revision No.	1.0
Model No.:	VSM9655V5F27PVR42	Drawing No.	VS20220208011

5. Measurement Method & Frequency Response curve

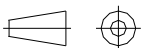


Specification for Magnetic Buzzer		Page	4/5
		Revision No.	1.0
Model No.:	VSM9655V5F27PVR42	Drawing No.	VS20220208011

6. Dimensions



FIRST ANGLE PROJECTION



UNIT : mm

Tolerance : ±0.2

Specification for Magnetic Buzzer		Page	5/5
		Revision No.	1.0
Model No.:	VSM9655V5F27PVR42	Drawing No.	VS20220208011

7. Packing



Marking Label:
VSM9655V5F27PV

