

SPECIFICATION

FOR APPRONAL

Customer : _____

Product Name : Piezo Buzzer(Self-drive) _____

Model Name : VSI4333V230F29P21P2 _____

Drawing No. : VS20241019003 _____

Signature of Voice

Approved by	Checkde by	Issued by	Date



Address:No 96 Mogao Dongqian Lake Industial Area ningbo,China,
Tel:0086-0574-87773030;Fax:0086-0574-87471600 P.C.315121
<http://www.nbvoice.com> Email:sales@nbvoice.com

Specification for Piezo Buzzer(Self-drive)	Page	2/5
	Revision No.	1.0
	Drawing No.	VS20241019003
Model No.: VSI4333V230F29P21P2		

Table of contents

1. Revision
2. Scope
3. General Characteristics
4. Electrical and Acoustic Characteristics.
5. Dimensions
6. Packing

1. Revision

Rev.No.	Date	Page	Description of Revision
1.0	2020/5/4		Preliminary

Specification for Piezo Buzzer(Self-drive)	Page	3/5
	Revision No.	1.0
	Drawing No.	VS20241019003

Model No. : VSI4333V230F29P21P2

2. Scope

This specification is applied to the siren used for sounder in alarm systems, Please contact us when using this product for any other applications than described in the above.

3. General

- 3.1 Out-Diameter : 43 mm
- 3.2 Height : 33 mm
- 3.3 Weight : 40 ±3g
- 3.4 Operating Temperature range:
-20~+80°C without loss of function
- 3.5 Store Temperature range:
-30~+100°C without loss of function

4. Electrical and Acoustic Characteristics.

Test condition : 15 ~ 35 °C, 25% ~ 85% RH, 860~1060 mbar

No	Items	Specification
1	Rated Voltage	230V AC
2	Working Voltage	200-240V AC
3	Max Rated Current	20mA/230VAC
4	Min Sound Pressure Level	80dB/230VAC/60cm
5	Resonant Frequency	2.9±0.5KHz
6	Tone Nature	Pulse (2sound/1sec)
7	Housing Material	PBT
8	Color	Black

Specification for Piezo Buzzer(Self-drive)

Page

4/5

Model No. : VSI4333V230F29P21P2

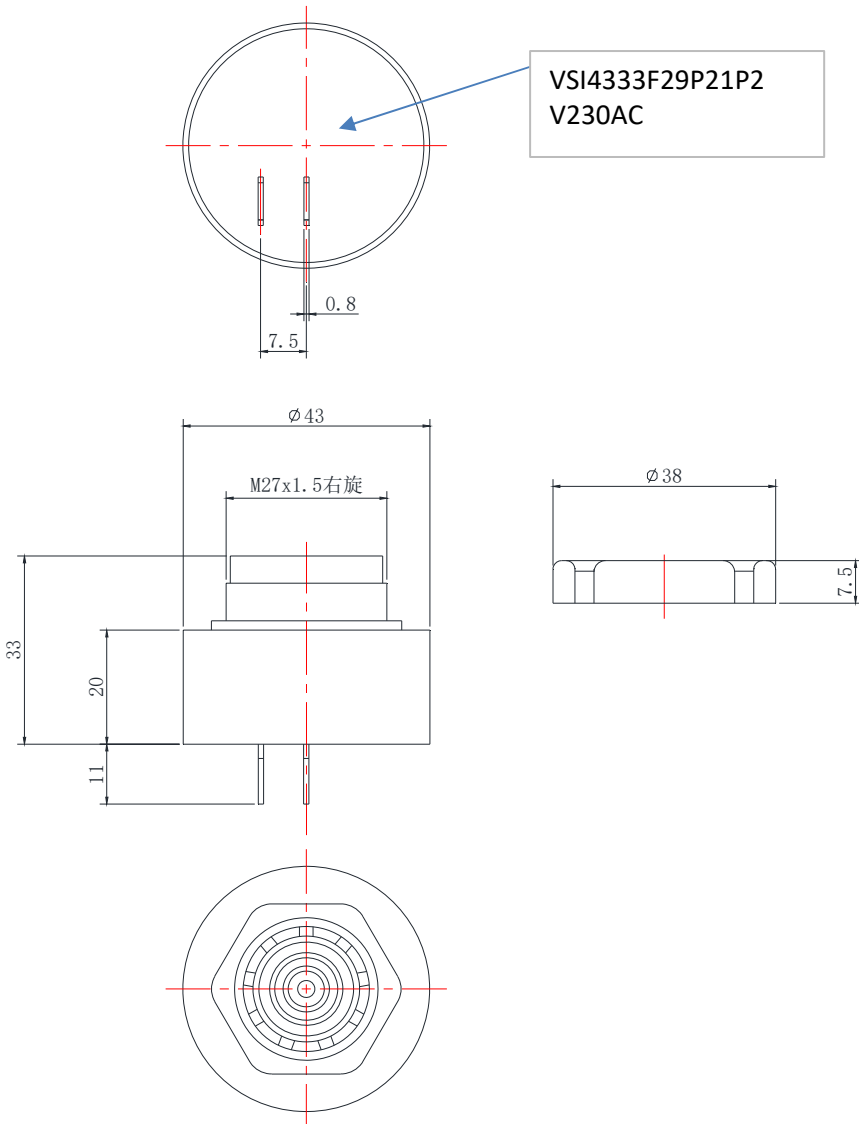
Revision No.

1.0

Drawing No.

VS20241019003

5. Dimensions



FIRST ANGLE PROJECTION



UNIT : mm

Tolerance : ±1.5

Specification for Piezo Buzzer(Self-drive)	Page	5/5
	Revision No.	1.0
Model No. : VSI4333V230F29P21P2	Drawing No.	VS20241019003

6. Packing

Each minimum package unit of products shall be in a carton box and it shall be clearly marked with Part Number ,quantity and outgoing inspection number.

There shall be no mechanical damage on products during in storage.

Total:200 pcs per box
Size:41.5x27x31cm