

# SPECIFICATION

## FOR APPROVAL

Customer : \_\_\_\_\_

Product Name : Siren \_\_\_\_\_

Model Name : VSI4218V630PF21L150 \_\_\_\_\_

Drawing No. : VS20231101018 \_\_\_\_\_

### Signature of Voise

Approved by	Checkde by	Issued by	Date

**Voise** 福爱斯电子有限公司  
ELECTRONIC VOISE ELECTRONICS CO.,LTD.

Address:No 96 Mogao Dongqian Lake Industial Area ningbo,China,  
Tel:0086-0574-87773030;Fax:0086-0574-87471600 P.C.315121  
<http://www.nbvoise.com> Email:sales@nbvoise.com



<b>Specification for Siren</b>		Page	3/6
		Revision No.	1.0
Model No.:	VSI4218V630PF21L150	Drawing No.	VS20231101018

## 2. Scope

This product specification is applied to the Siren in alarm systems. Please contact us when using this product for any other applications than described in the above.

## 3. General Characteristics

- 3.1 Out-Diameter : 42 mm
- 3.2 Height : 18 mm
- 3.3 Weight : 19 g
- 3.4 Operating Temperature : -30~+70°C without loss of function
- 3.5 Store Temperature : -40~+85°C without loss of function

## 4. Electrical and Acoustic Characteristics.

Test condition : 15 ~ 35 °C Temp., 25% ~ 75% RH, 86~106 kPa Refer to IEC60268-1

No	Items	Specification
1	Rated Voltage	12V DC
2	Working Voltage	6-30V DC
3	Max Rated Current	20mA/12VDC
4	Min Sound Pressure Level	93-97-102dB/6-12-24VDC/30cm
5	Tone Nature	Continuous+Pulse Fast(2sound/1sec )
6	Housing Material	ABS
7	Color	Black

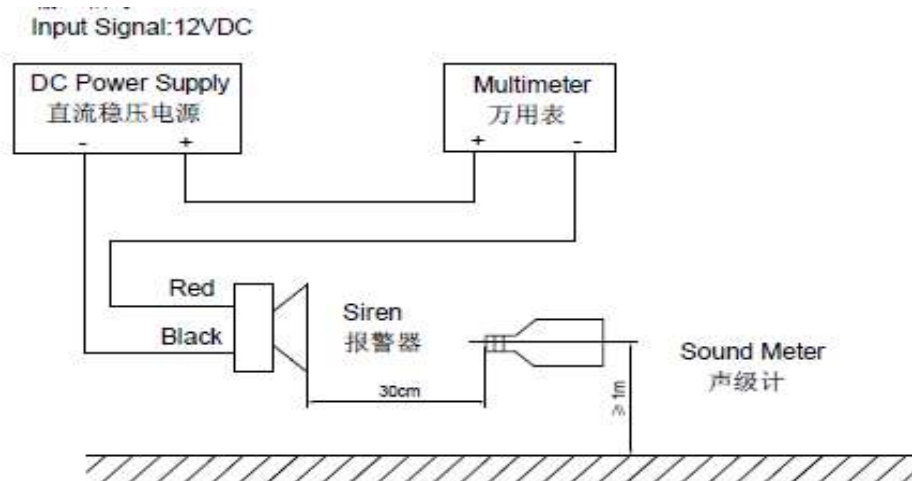
<b>Specification for Siren</b>		Page	4/6
		Revision No.	1.0
Model No.:	VSI4218V630PF21L150	Drawing No.	VS20231101018

## 5. Reliability Test

After test(1~6item), the buzzer S.P.L . difference shall be within  $\pm 8\text{dB}$ , and the appearance not exist any change to be harmful to normal operation

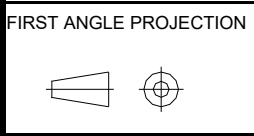
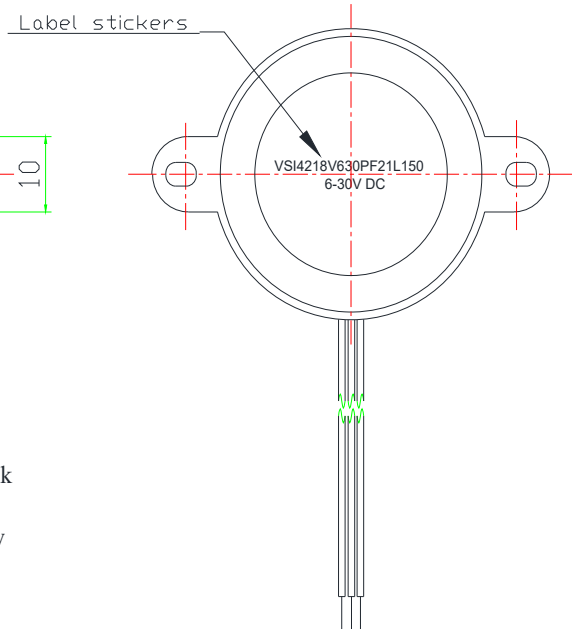
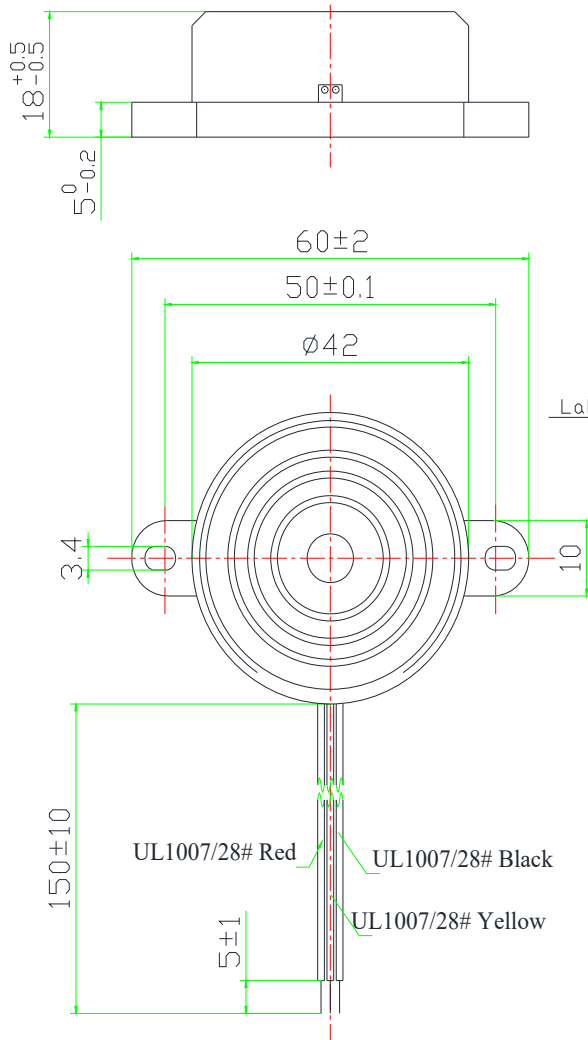
No	Items	Specification
1	High Temp.Test	After being woked in a chamber with $+70\pm 2\text{ }^\circ\text{C}$ for 100h and then being placed in natural condition for 2h, and then check.
2	Low Temp.Test	First being worked in a chamber with $-20\pm 2\text{ }^\circ\text{C}$ for 100h and then being placed in natural condtion for 2h, and then check.
3	Humidity Test	After being placed in a chamber with 90 to 95%R.H. at $+40\pm 2\text{ }^\circ\text{C}$ for 100 h and then being placed in natural condition for 2h ,and then check.
4	Shock Test	Under acceleration of peak $100\text{m/s}^2(10\text{g})$ & half sine wave pulse( pulse time is 16ms) condition. Run into product 1000 times continuously.
5	Vibration Test	Being applied vibration of amplitude of 1.5mm with 10-30Hz band of vibration frequency,X.Y.Z.3 direction.2 hours each, total 6 hours.
6	Drop Test	Free drop fram 0.5 meter height to a board 20mm thick hard wood board. and be nothing mechanical damage. tatol 6 times.

## 6. Measurement Method



<b>Specification for Siren</b>		Page	5/6
		Revision No.	1.0
Model No.:	VSI4218V630PF21L150	Drawing No.	VS20231101018

## 7. Dimensions



UNIT : mm  
Tolerance : ±0.2

Specification for Siren		Page	6/6
		Revision No.	1.0
Model No.:	VSI4218V630PF21L150	Drawing No.	VS20231101018

## 8. Packing

Each minimum package unit of products shall be in a carton box and it shall be clearly marked with Part Number ,quantity and outgoing inspection number.

There shall be no mechanical damage on products during in storage.