

SPECIFICATION

FOR APPROVAL

Customer : _____

Product Name : Piezo Buzzer _____

Model Name : VSI2310F37L150 _____

Drawing No. : VS20241018006 _____

Signature of Voice

| Approved by | Checkde by | Issued by | Date |
|-------------|------------|-----------|------|
| | | | |

 福爱斯电子有限公司
VOISE ELECTRONICS CO.,LTD.

Address:No 96 Mogao Dongqian Lake Industrial Area ningbo,China,
Tel:0086-0574-87773030;Fax:0086-0574-87471600 P.C.315121
<http://www.nbvoice.com> Email:sales@nbvoice.com

| | | | |
|--|----------------|--------------|---------------|
| Specification for Piezoelectric Transducer | | Page | 2/3 |
| | | Revision No. | 1.0 |
| Model No.: | VSI2310F37L150 | Drawing No. | VS20241018006 |

1. General Characteristics

- 2.1 Out-Diameter : 23 mm
- 2.2 Height : 10 mm
- 2.3 Weight : 3.5 g
- 2.4 Operating Temperature : -20~+60°C without loss of function
- 2.5 Store Temperature : -30~+70°C without loss of function

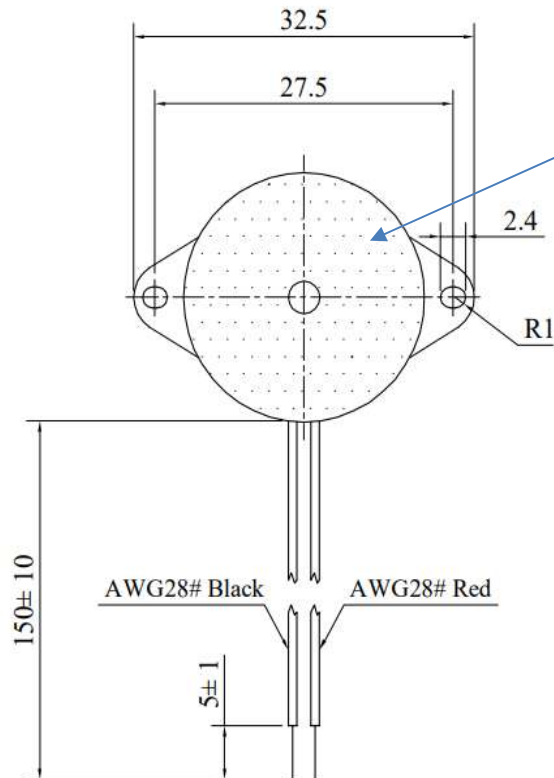
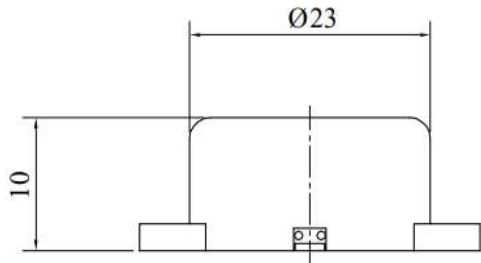
2. Electrical and Acoustic Characteristics.

Test condition :15 ~ 35 °C Temp., 25% ~ 75% RH,86~106 kPa Refer to IEC60268-1

| No | Items | Specification |
|----|--------------------------|----------------------|
| 1 | Rated Operating Voltage | 12VDC |
| 2 | Operating Voltage | 3-24VDC |
| 3 | Max Rated Current | 10 mA at 12VDC |
| 4 | Min Sound Pressure Level | 82 dB at 12VDC /30cm |
| 5 | Resonance Frequency(fo) | 3.7 kHz ± 500Hz |
| 6 | Tone Nature | Continuous |
| 7 | Housing Material /Color | ABS/Black |

| | | | |
|--|----------------|--------------|---------------|
| Specification for Piezoelectric Transducer | | Page | 3/3 |
| | | Revision No. | 1.0 |
| Model No.: | VSI2310F37L150 | Drawing No. | VS20241018006 |

3. Dimensions



Marking

