

SPECIFICATION

FOR APPRONAL

Customer : _____

Product Name : Piezo Buzzer(Self-drive) _____

Model Name : VSI1285F40P _____

Drawing No. : VS20200708012 _____

Signature of Voice

Approved by	Checkde by	Issued by	Date

 **福爱斯电子有限公司**
VOISE ELECTRONICS CO.,LTD.

Address:No 96 Mogao Dongqian Lake Industial Area ningbo,China,
Tel:0086-0574-87773030;Fax:0086-0574-87471600 P.C.315121
<http://www.nbvoise.com> Email:sales@nbvoise.com

Table of contents

1. Revision
2. Scope
3. General Characteristics
4. Electrical and Acoustic Characteristics.
5. Dimensions
6. Packing

1. Revision

Rev.No.	Date	Page	Description of Revision
1.0	2020/7/8		Preliminary

Specification for Piezo Buzzer(Self-drive)

Page

3/5

Revision No.

1.0

Model No. : VSI1285F40P

Drawing No.

VS20200708012

2. Scope

This specification is applied to the piezo buzzer used for sounder in alarm systems, Please contact us when using this product for any other applications than described in the above.

3. General

3.1 Out-Diameter : 12 mm

3.2 Height : 8.5 mm

3.3 Weight : 1 ±3g

3.4 Operating Temperature range:

-20~+70°C without loss of function

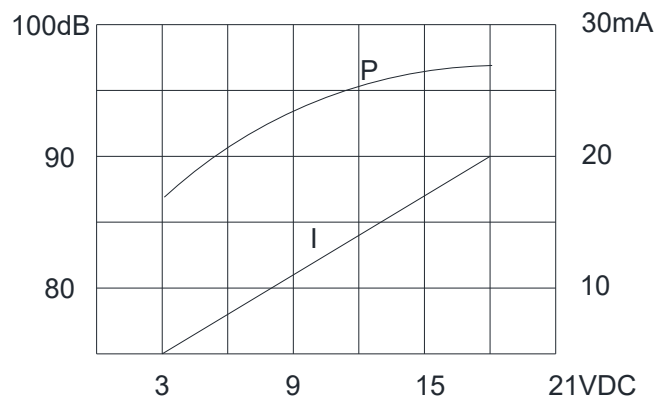
3.5 Store Temperature range:

-30~+80°C without loss of function

4. Electrical and Acoustic Characteristics.

Test condition : 15 ~ 35 °C, 25% ~ 85% RH, 860~1060 mbar

No	Items	Specification
1	Rated Voltage	12V DC
2	Working Voltage	6-18VDC
3	Max Rated Current	10mA/12VDC
4	Min Sound Pressure Level	90dB/12VDC/10cm, 85dB/6VDC/10cm,
5	Resonant Frequency	4.0±0.5KHz
6	Tone Nature	Continuous
7	Housing Material	PBT
8	Color	Black
9	Waterproof	IP60



Specification for Piezo Buzzer(Self-drive)

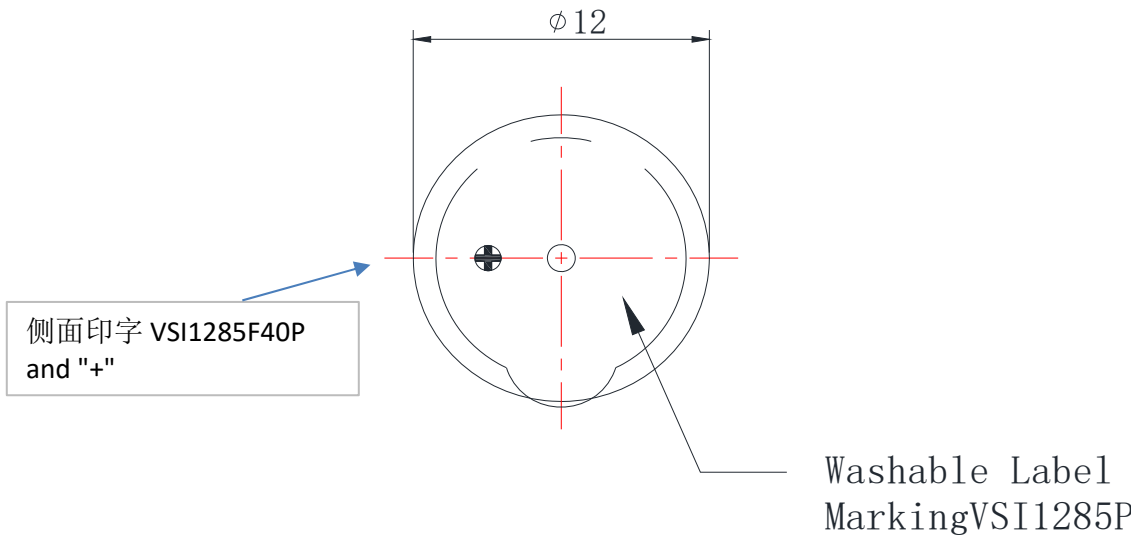
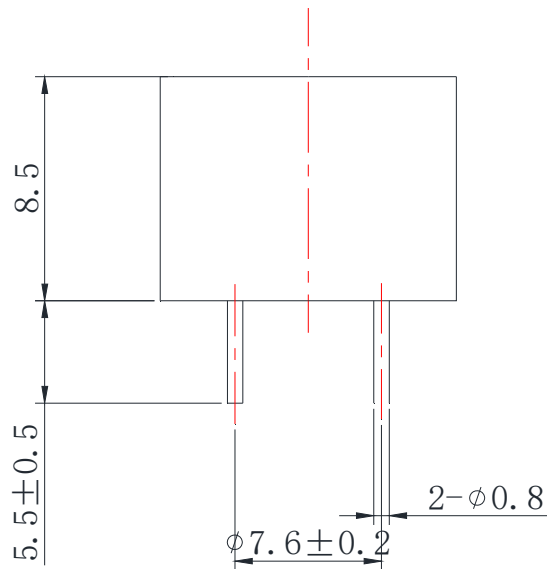
Page 4/5

Revision No. 1.0

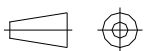
Model No. : VSI1285F40P

Drawing No. VS20200708012

5. Dimensions



FIRST ANGLE PROJECTION



UNIT : mm

Tolerance : ±1.5

Specification for Piezo Buzzer(Self-drive)	Page	5/5
	Revision No.	1.0
Model No. : VSI1285F40P	Drawing No.	VS20200708012

6. Packing

Each minimum package unit of products shall be in a carton box and it shall be clearly marked with Part Number ,quantity and outgoing inspection number.

There shall be no mechanical damage on products during in storage.

Total:200 pcs per box
Size:41.5x27x31cm