

SPECIFICATION

FOR APPRONAL

Customer : _____

Product Name : Horn Speaker _____

Model Name : VSH-102T-4 _____

Drawing No. : VS20250110008 _____

Signature of Voise

| Approved by | Checkde by | Issued by | Date |
|-------------|------------|-----------|------|
| | | | |

Voise 福爱斯电子有限公司
ELECTRONIC VOISE ELECTRONICS CO.,LTD.

Address:No 96 Mogao Dongqian Lake Industrial Area ningbo,China,
Tel:0086-0574-87773030;Fax:0086-0574-87471600 P.C.315121
<http://www.nbvoise.com> Email:sales@nbvoise.com

| | | | |
|---------------------|------------|--------------|---------------|
| Horn Speaker | | Page | 2/3 |
| Model No.: | VSH-102T-4 | Revision No. | 1.0 |
| | | Drawing No. | VS20250110008 |

2. Scope

This product specification is applied to the Siren in alarm systems. Please contact us when using this product for any other applications than described in the above.

3. General Characteristics

- 3.1 Out-Diameter : 102 mm
- 3.2 Height : 114 mm
- 3.3 Weight : 360 g
- 3.4 Operating Temperature : -20~+60°C without loss of function
- 3.5 Store Temperature : -30~+70°C without loss of function

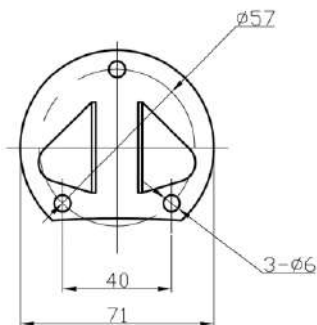
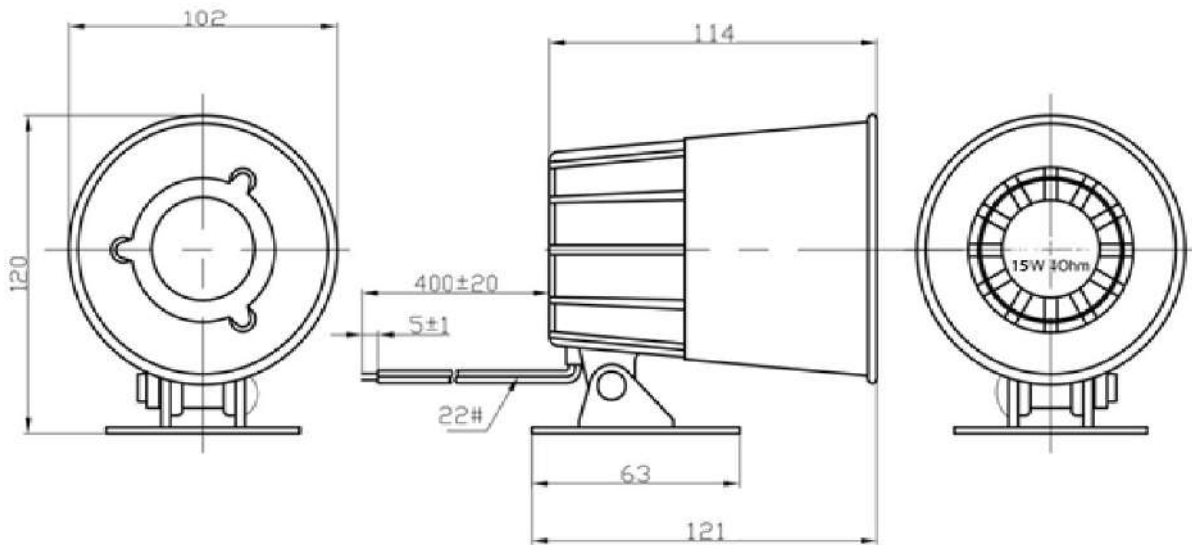
4. Electrical and Acoustic Characteristics.

Test condition : 15 ~ 35 °C Temp., 25% ~ 75% RH, 86~106 kPa Refer to IEC60268-1

| No | Items | Specification |
|----|------------------------|--------------------------|
| 1 | Rated Rating RMS | 15W |
| 2 | Power Rating Peak | 20W |
| 3 | Sound Preesure Level | 105dB ±3dB at 1M/1W 1kHz |
| 4 | Resonant Frequency | 950Hz±10% |
| 5 | Rated Frequency Range | 400-5000Hz |
| 6 | Voice Coil Impedance | 4Ω±15% 1Vrms at 2kHz |
| 7 | Voice Coil Size | Ø25.4mm |
| 8 | Housing Material/Color | ABS/Black |
| 9 | Magnet Size | Ø60xØ32x10mm; Ferrite |
| 10 | Housing Material/Color | ABS/White |
| 11 | Waterproof | IP43 |

| | | | |
|--------------|------------|--------------|---------------|
| Horn Speaker | | Page | 3/3 |
| | | Revision No. | 1.0 |
| Model No.: | VSH-102T-4 | Drawing No. | VS20250110008 |

5. Dimensions



FIRST ANGLE PROJECTION



UNIT : mm

Tolerance : ±0.2