

SPECIFICATION

FOR APPRONAL

Customer : _____

Product Name : Microphone

Model Name : VS9750NS32

Drawing No. : VS20230417012

Signature of Voice

Approved by	Checkde by	Issued by	Date



Address: No 96 Mogao Dongqian Lake Industial Area ningbo, China,
Tel: 0086-0574-87773030; Fax: 0086-0574-87471600 P.C. 315121
<http://www.nbvoice.com> Email: sales@nbvoice.com

Table of contents

1. Revision
2. Scope
3. General Characteristics
4. Electrical and Acoustic Characteristics.
5. Measurement Method & Frequency Response curve
6. Dimensions

1. Revision

Rev.No.	Date	Page	Description of Revision
1.0	2023/4/18		Preliminary

Specification for Microphone		Page	2/4
		Revision No.	1.0
Model No.:	VS9750NS32	Drawing No.	VS20230417012

2. Scope

This specification applies electret condenser microphone.

3. General Characteristics

- 3.1 Out-Diameter : 9.7 mm
- 3.2 Height : 5 mm
- 3.3 Weight : 1 g
- 3.4 Operating Temperature : -30+60°C without loss of function
- 3.5 Store Temperature : -40~+70°C without loss of function

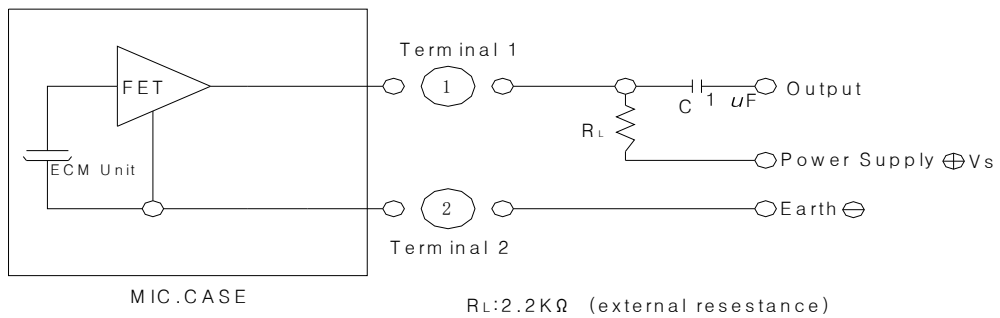
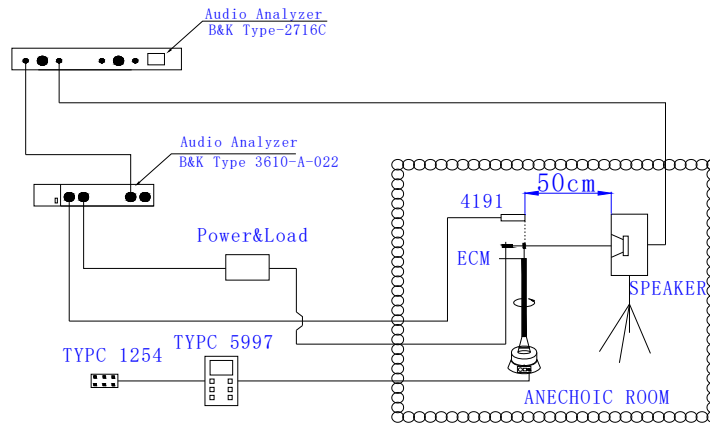
4. Electrical and Acoustic Characteristics.

Test condition :5 ~ 35 °C Temp., 35% ~85% RH,86~106 kPa 1kHz , RL=2.2KΩ

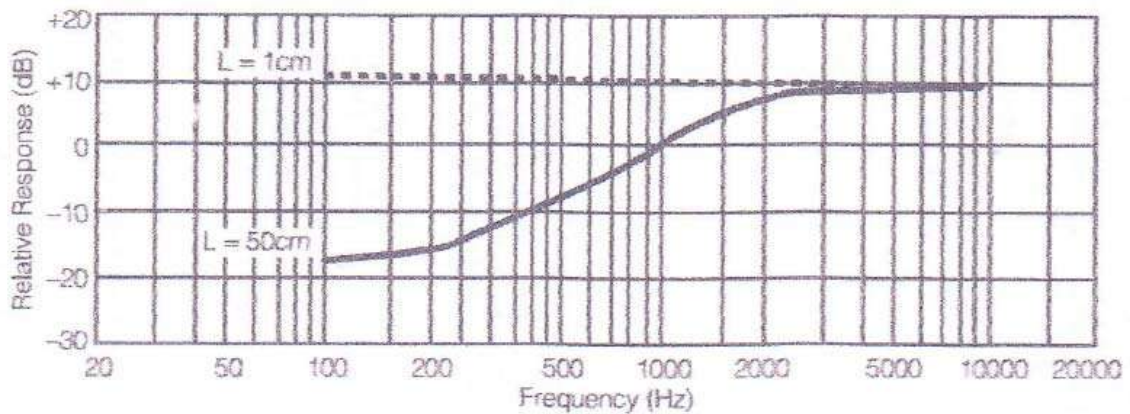
No	Items	Specification
1	Directivity	Noise Cancelling
2	Sensitivity (S)	-32dB±3dB (1KHZ, 0dB=1V/pa)
3	Power Supply Voltage(Vs)	1.5 V
4	Output impedance (RL)	2.2 KΩ
5	Operating Voltage	1-10 V
6	Sensitivity reduction within 1.5V	-3dB
7	Frequency	50-16,000Hz
8	Max. Current Consumption	0.5 mA
9	Min S/N ratio	58 dB
10	Material	AL
11	Environmental Regulations	RoHS

We use "Pascal (Pa)" indication of sensitivity as per the recommendation of I.E.C.(International Electro technical Commission).The Sensitivity of "Pa" will increase 20dB comparing with "ubar" indication. Example: -60dB (0dB=1V/ubar) =-40dB (1V/Pa)

5. Measurement Method & Frequency Response curve



$V_s: 2.0V$ $R_L: 2.2K\Omega$ $C_1=1\mu F$



Specification for Microphone

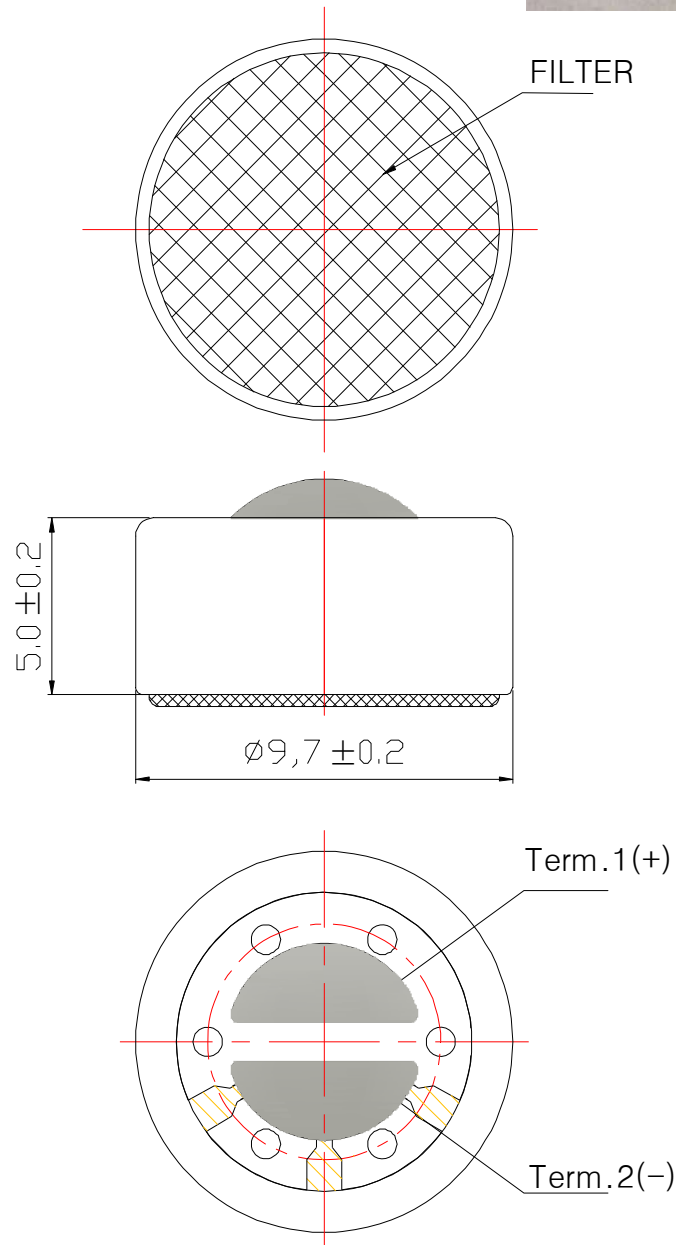
Page 4/4

Model No.: VS9750NS32

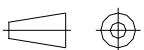
Revision No. 1.0

Drawing No. VS20230417012

6. Dimensions



FIRST ANGLE PROJECTION



UNIT : mm

Tolerance : ± 0.2