

SPECIFICATION

FOR APPRONAL

Customer : _____
Product Name : Microphone
Model Name : VS9465S36
Drawing No. : VS201014022

Signature of Voice

Approved by	Checkde by	Issued by	Date



Office Add: Haoyangguang B-302# No.968 Baizhang Road, Ningbo China
Factory add: Shishan Industrial Park Moushan Town Yuyao City China
Tel: 86-0574-87471601 Fax: 86-0574-87471603 P.C. 315000
Http://www.nbvoise.com E-mail: sales@nbvoise.com

Table of contents

1. Revision
2. Scope
3. General Characteristics
4. Electrical and Acoustic Characteristics.
5. Measurement Method & Frequency Response curve
6. Dimensions

1. Revision

Rev.No.	Date	Page	Description of Revision
1.0	2020/10/14		Preliminary

Specification for Microphone		Page	2/4
		Revision No.	1.0
Model No.:	VS9465S36	Drawing No.	VS201014022

2. Scope

This specification applies electret condenser microphone.

3. General Characteristics

- 3.1 Out-Diameter : 9.4 mm
- 3.2 Height : 6.5 mm
- 3.3 Weight : 1 g
- 3.4 Operating Temperature : -30~+60°C without loss of function
- 3.5 Store Temperature : -30~+70°C without loss of function

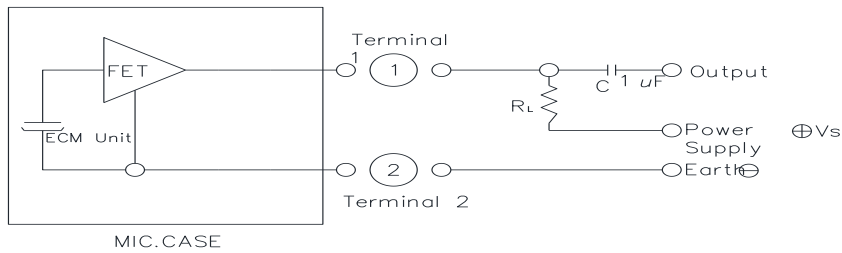
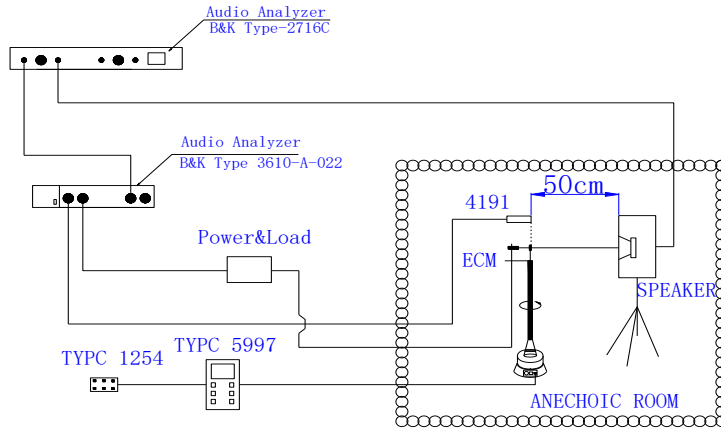
4. Electrical and Acoustic Characteristics.

Test condition :5 ~ 35 °C Temp., 35% ~85% RH,86~106 kPa Refer to IEC

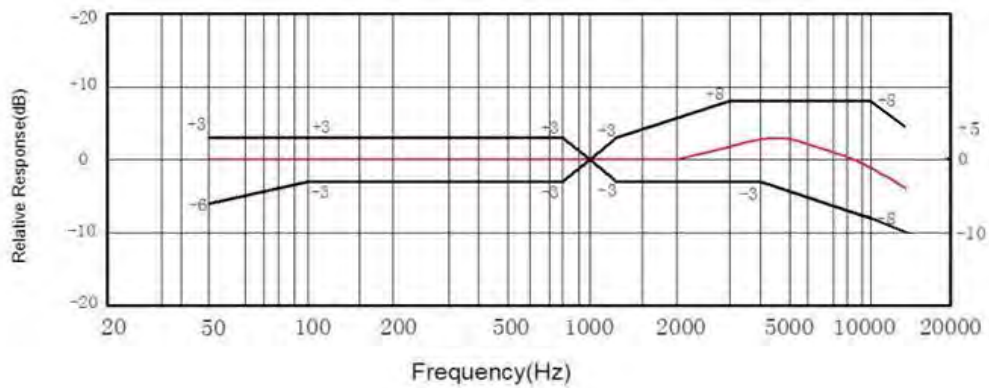
No	Items	Specification	Condition
1	Directivity	Omni-directional	
2	Sensitivity (S)	-36dB±3dB	f=1KHZ, 0dB=1V/pa RL=2.2KΩ
3	Standard Voltage(Vc)	4.5 V.D.C	
4	Output impedance (Zout)	2.2 KΩ	f=1KHz, 1ubar
5	Operating Voltage(Vs)	1.0-10 V.D.C	
6	Decreasing Voltage ($\Delta S-V_s$)	-3dB	Vc=2.0V to 1.5V
7	Max. Current Consumption (I _{DDS})	0.5 mA	Vc=4.5V , RL=2.2KΩ
8	Max input Sound Pressure Leve	110 dB	
9	Min Signal to noise ration (S/N)	55 dBA	f=1 KHZ , S.P.L=1Pa
10	Material	AL	
11	Environmental Regulations	RoHS	

We use "Pascal (Pa)" indication of sensitivity as per the recommendation of I.E.C.(International Electro technical Commission).The Sensitivity of "Pa" will increase 20dB comparing with "ubar" indication.
Example: -60dB (0dB=1V/ubar) =-40dB (1V/Pa)

5. Measurement Method & Frequency Response curve



Vc:Standard Voltage 4.5V RL:Load Resistance 2.2KΩ



Specification for Microphone

Page

4/4

Model No.: VS9465S36

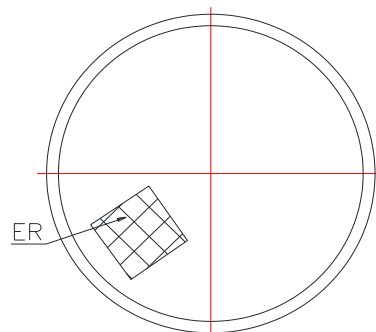
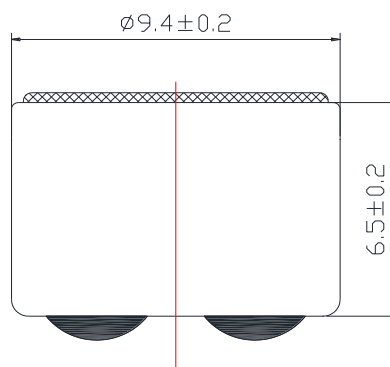
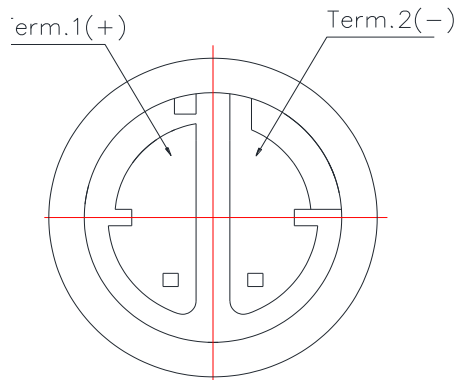
Revision No.

1.0

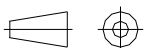
Drawing No.

VS201014022

6. Dimensions



FIRST ANGLE PROJECTION



UNIT : mm

Tolerance : ± 0.2