

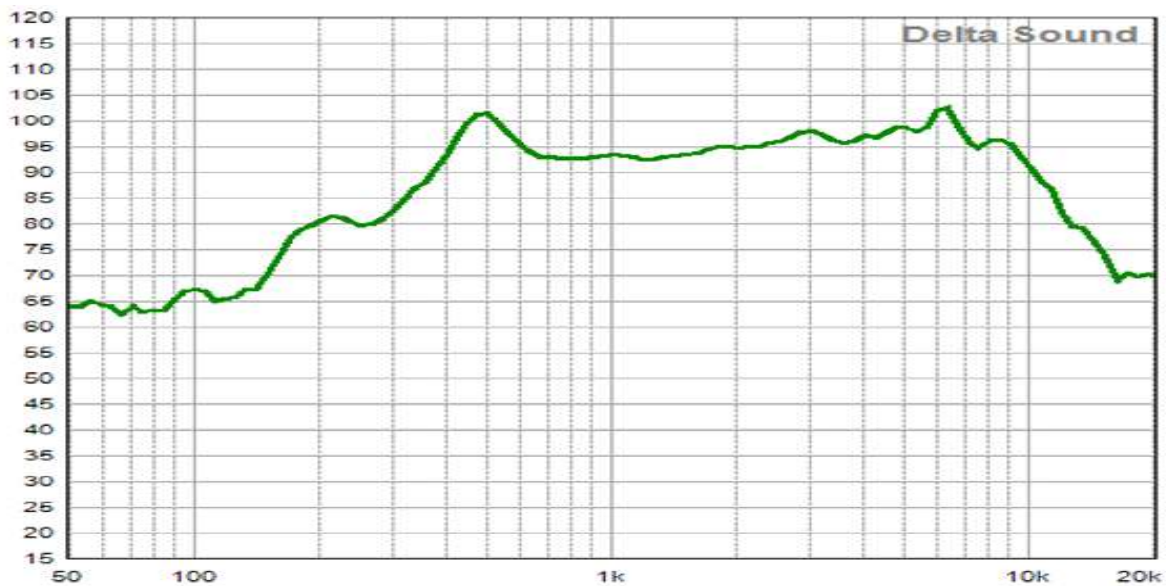
Specification for Speaker

Model No.	VS77240R8F450P3	Drawing No.	VS20231226009
Customer			

SPEC

NO.	Items	Specification	Test Condition
1	Impedance	$8\Omega \pm 15\%$	at 1Vrms,0.8kHz
2	Resonant Fr. (fo)	450Hz \pm 20%	
3	Frequency Range	F0-9KHz	
4	Rated Power	3W	
5	Max Power	5W	
6	S.P.L.	92dB \pm 3dB	(0.1W/0.1M at0.8,1.0,1.2,1.5kHz Ave)
7	Distortion	<10% Max.	at 2kHz/2Vrms
8	Sweep Test	must be normal	at sine wave 5.6 V
9	Load Test	after test meet item 8	rated white noise power, 96 Hrs.
10	Heat Test	after test meet item 8	+50 \pm 2 $^{\circ}$ C 20~50% 96Hrs.
11	Cold Test	after test meet item 8	-20 \pm 3 $^{\circ}$ C 96Hrs.
12	Humidity Test	after test meet item 8	+30 \pm 2 $^{\circ}$ C,90~95% 96Hrs.
13	Weight	89g \pm 1g	
14	Polarity Test	with positive D.C. voltage to (+) terminal, the cone shall move forward.	
15	Waterproof	IP64	

Frequency Response Curve



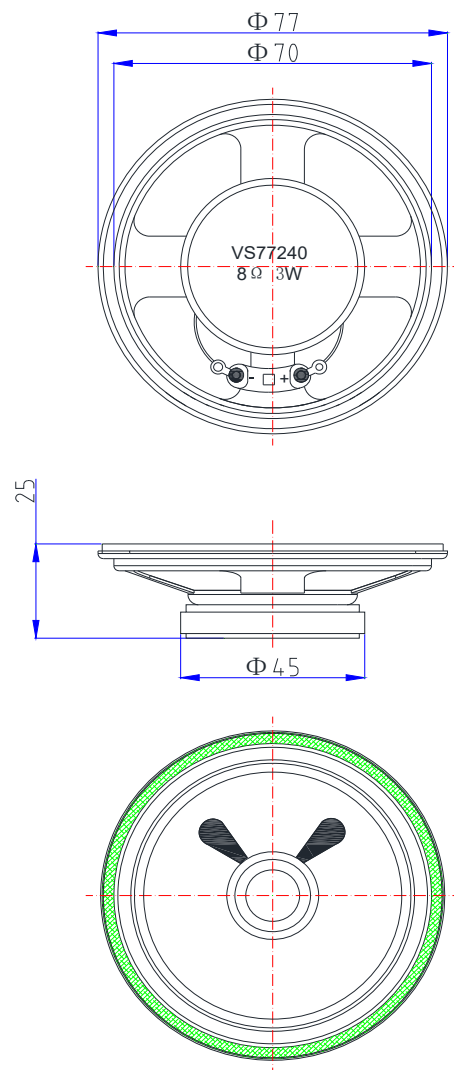
Specification for Speaker

Model No. VS77240R8F450P3

Drawing No.

VS20231226009

Dimensions:



Unit : mm

Tolerance : ± 0.5