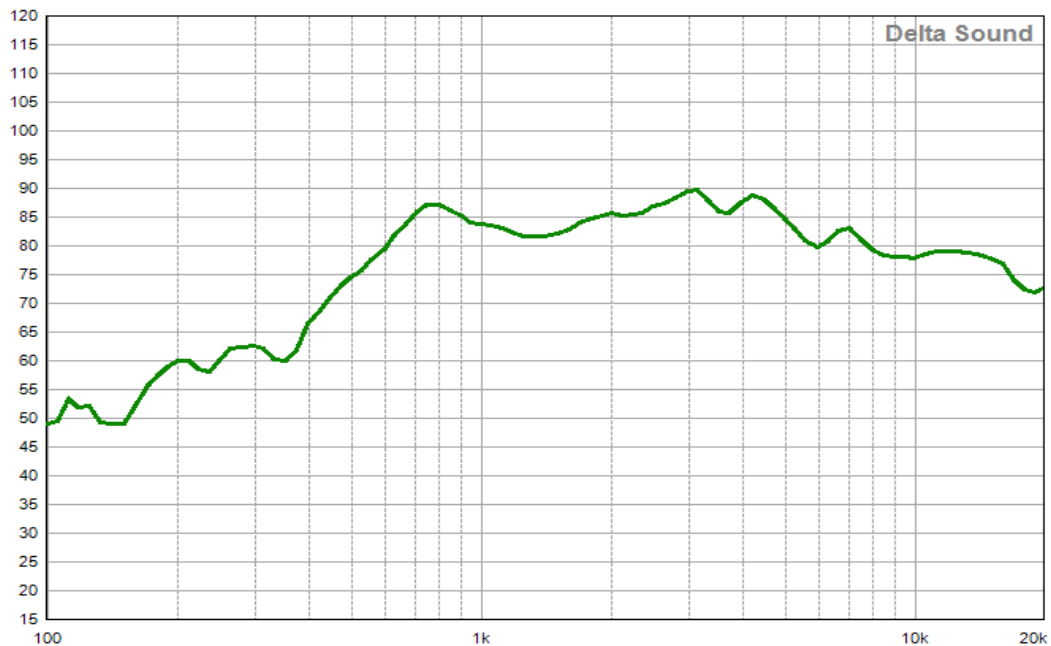


## Specification for Speaker

Model No.	VS70X30R4F750P3	Drawing No.	VS2022090306
Customer			

NO.	Items	Specification	Test Condition
1	Impedance	$4\Omega \pm 15\%$	at 1Vrms,0.8kHz
2	Resonant Fr. (fo)	750Hz $\pm 20\%$	
3	Frequency Range	F0-10KHz	
4	Rated Power	3W	
5	Max Power	4W	
6	S.P.L.	85dB $\pm 3$ dB	(0.1W/0.1M at0.8,1.0,1.2,1.5kHz Ave)
7	Distortion	<5% Max.	at 2kHz/2Vrms
8	Sweep Test	must be normal	at sine wave 4.7 V
9	Load Test	after test meet item 8	rated white noise power, 96 Hrs.
10	Heat Test	after test meet item 8	+60 $\pm 2^\circ\text{C}$ 20~50% 96Hrs.
11	Cold Test	after test meet item 8	-30 $\pm 3^\circ\text{C}$ 96Hrs.
12	Humidity Test	after test meet item 8	+40 $\pm 2^\circ\text{C}$ ,90~95% 96Hrs.
13	Weight	30 $\pm 5\%$ g	
14	Polarity Test	with positive D.C. voltage to (+) terminal, the cone shall move forward.	
15	Note	IP60	

### Frequency Response Curve



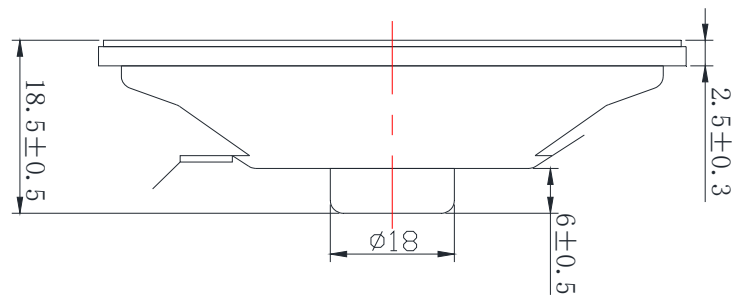
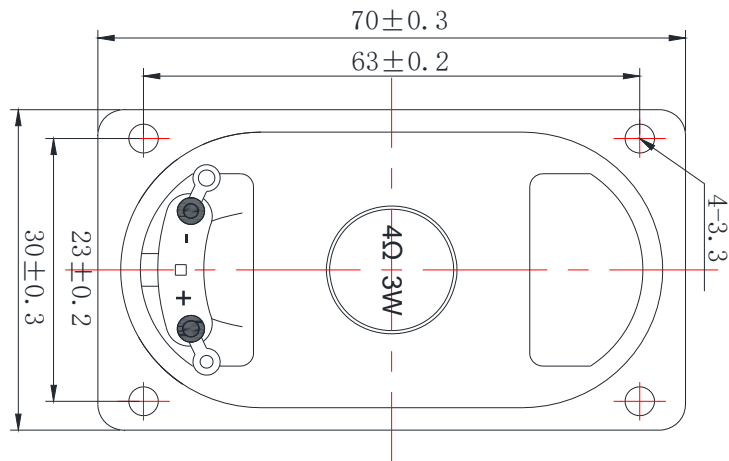
# Specification for Speaker

Model No. VS70X30R4F750P3

Drawing No.

VS2022090306

Dimensions:



Unit : mm

Tolerance :  $\pm 0.2$