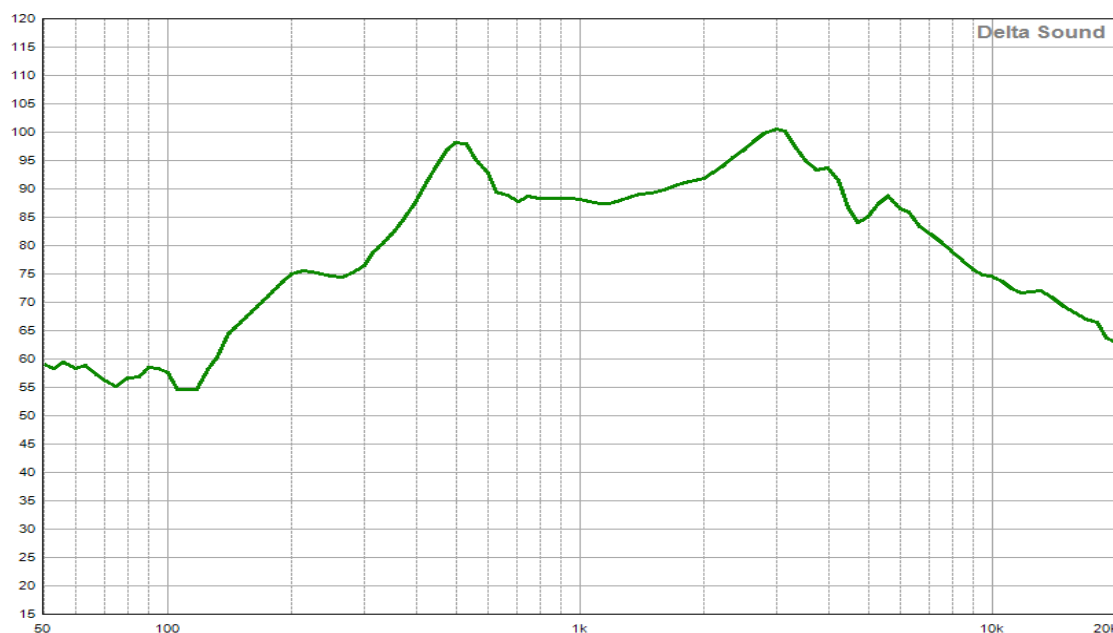


Specification for Speaker

Model No.	VS63x63R8F500P2WP-2	Drawing No.	VS20200426026
Customer			

NO.	Items	Specification	Test Condition
1	Impedance	$8\Omega \pm 15\%$	at 1Vrms,0.8kHz
2	Resonant Fr. (fo)	500Hz $\pm 20\%$	
3	Frequency Range	f0-5KHz	
4	Rated Power	2W	
5	Max Power	3W	
6	S.P.L.	90dB ± 3 dB	(0.1W/0.1M at0.8,1.0,1.2,1.5kHz Ave)
7	Distortion	<5% Max.	at 2kHz/2Vrms
8	Sweep Test	must be normal	at sine wave 4V
9	Load Test	after test meet item 8	rated white noise power, 96 Hrs.
10	Heat Test	after test meet item 8	+50 ± 2 $^{\circ}$ C 20~50% 96Hrs.
11	Cold Test	after test meet item 8	-30 ± 3 $^{\circ}$ C 96Hrs.
12	Humidity Test	after test meet item 8	+40 ± 2 $^{\circ}$ C,90~95% 96Hrs.
13	Weight	70g	
14	Polarity Test	with positive D.C. voltage to (+) terminal, the cone shall move forward.	
15	Waterproof	IP64	

Frequency Response Curve

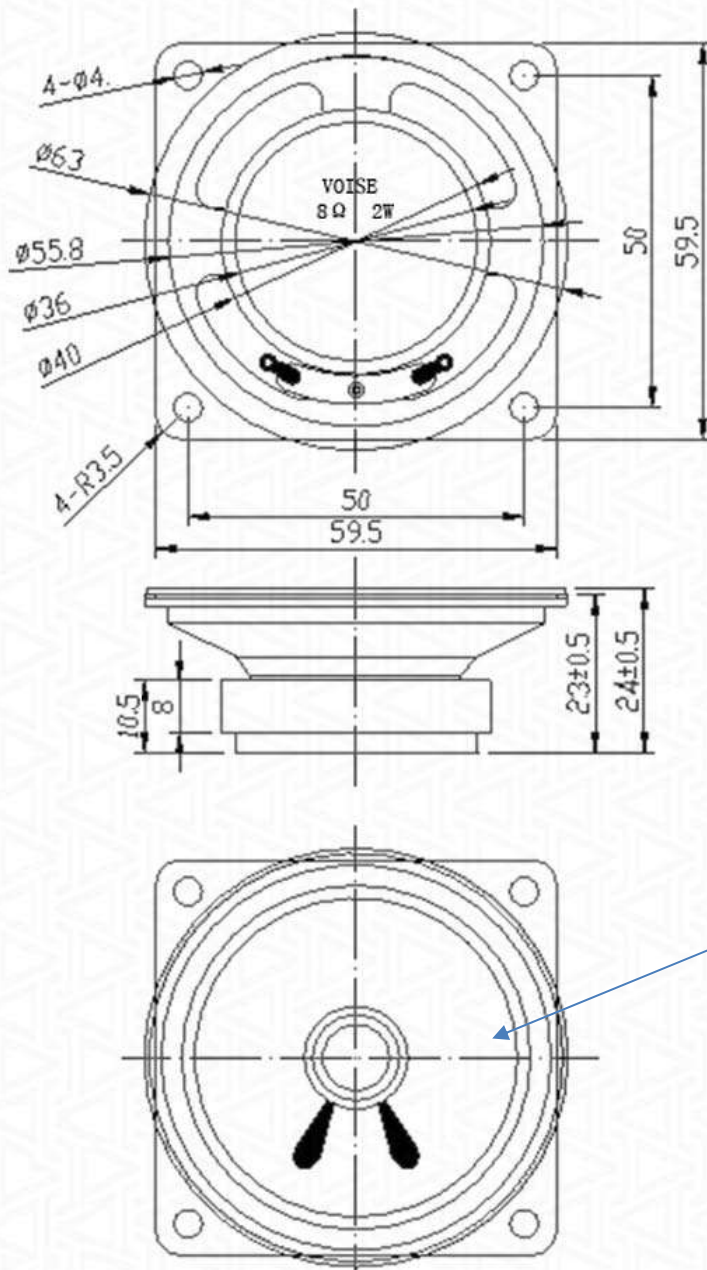


Specification for Speaker

Model No. VS63x63R8F500P2WP-2

Drawing No. VS20200426026

Dimensions:



Waterproof Membrane

Unit : mm

Tolerance : ±0.2