

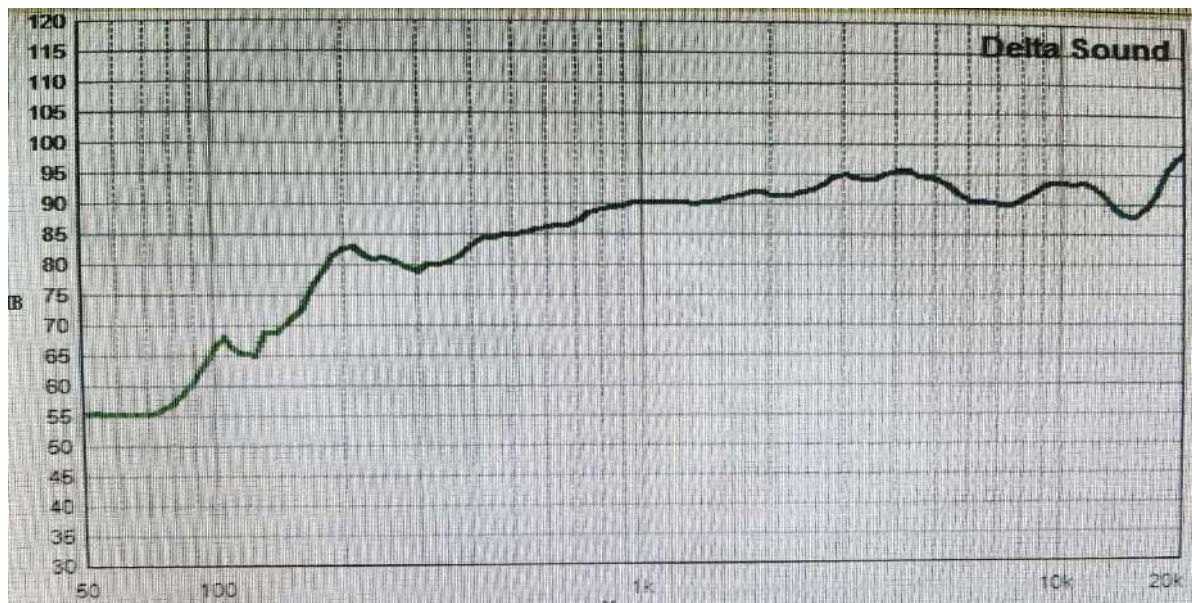
Specification for Speaker

Model No.	VS50260R8F180P5	Drawing No.	VS20211018022
Customer			

SPEC

NO.	Items	Specification	Test Condition
1	Impedance	8Ω ±15%	at 1Vrms,0.4kHz
2	Resonant Fr. (fo)	180Hz±20%	
3	Frequency Range	F0-20KHz	
4	Rated Power	5W	
5	Max Power	6W	
6	S.P.L.	89dB±3dB	(0.1W/0.1M at0.5,0.9,1.2,1.5kHz Ave)
7	Distortion	<5% Max.	at 2kHz/2Vrms
8	Sweep Test	must be normal	at sine wave 4.9 V
9	Load Test	after test meet item 8	rated white noise power, 96 Hrs.
10	Heat Test	after test meet item 8	+60±2°C 20~50% 96Hrs.
11	Cold Test	after test meet item 8	-30±3°C 96Hrs.
12	Humidity Test	after test meet item 8	+30±2°C,90~95% 96Hrs.
13	Weight	32g	
14	Polarity Test	with positive D.C. voltage to (+) terminal, the cone shall move forward.	
15	Note	IP60	

Frequency Response Curve

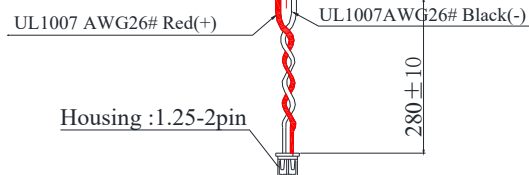
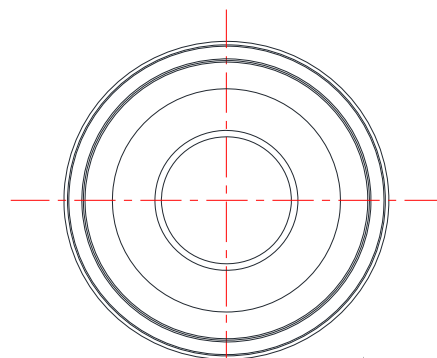
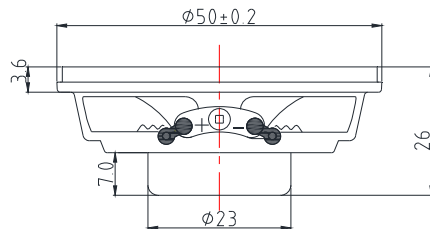
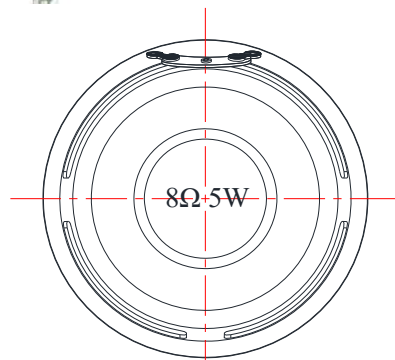


Specification for Speaker

Model No. VS50260R8F180P5

Drawing No. VS20211018022

Dimensions:



Unit : mm

Tolerance : ± 0.2