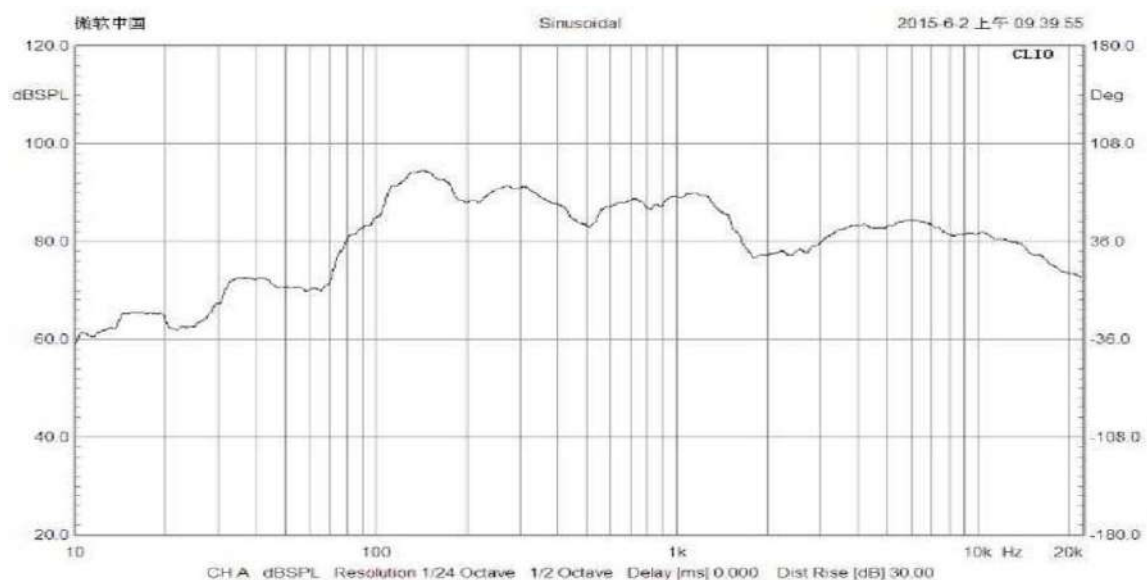


## Specification for Speaker

|           |                   |             |               |
|-----------|-------------------|-------------|---------------|
| Model No. | VS106X106R8F80P20 | Drawing No. | VS20230112011 |
| Customer  |                   |             |               |

| NO. | Items             | Specification  | Test Condition                   |
|-----|-------------------|--|----------------------------------|
| 1   | Impedance         | 8Ω ±15%  | at 1Vrms,0.8kHz                  |
| 2   | Resonant Fr. (fo) | 80Hz±20%   |                                  |
| 3   | Frequency Range   | F0-15KHz   |                                  |
| 4   | Rated Power       | 20W  |                                  |
| 5   | Max Power         | 25W  |                                  |
| 6   | S.P.L.            | 86dB±3dB   | (1W/1M at0.8,1.0,1.2,1.5kHz Ave) |
| 7   | Distortion        | <5% Max.   | at 2kHz/2Vrms                    |
| 8   | Sweep Test        | must be normal   | at sine wave 12 V                |
| 9   | Load Test         | after test meet item 8   | rated white noise power, 96 Hrs. |
| 10  | Heat Test         | after test meet item 8   | +60±2°C 20~50% 96Hrs.            |
| 11  | Cold Test         | after test meet item 8   | -30±3°C 96Hrs.                   |
| 12  | Humidity Test     | after test meet item 8   | +40±2°C,90~95% 96Hrs.            |
| 13  | Weight            | 277±5%g  | Magnet:60x24x10mm                |
| 14  | Polarity Test     | with positive D.C. voltage to (+) terminal, the cone shall move forward. |                                  |
| 15  | Note              | IP60   |                                  |

### Frequency Response Curve

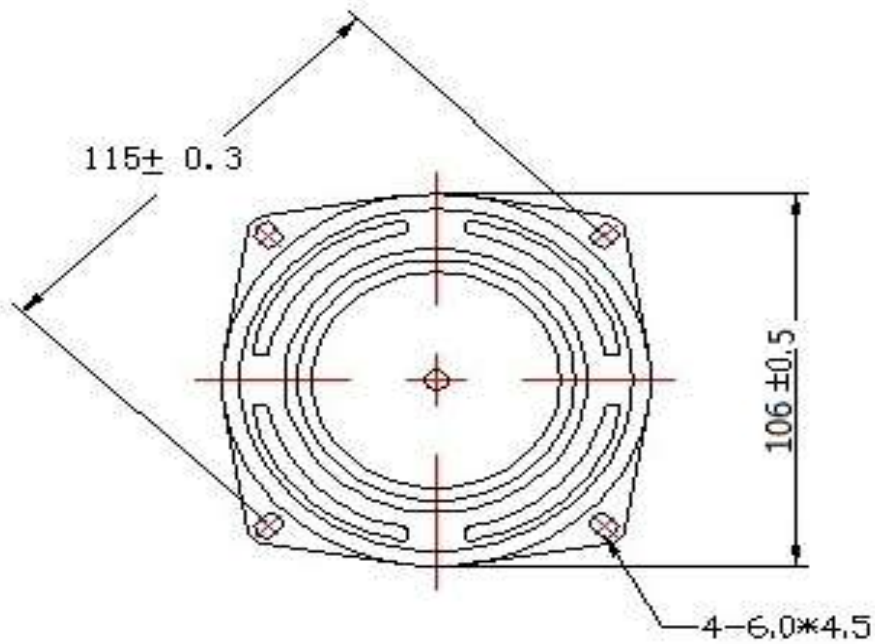
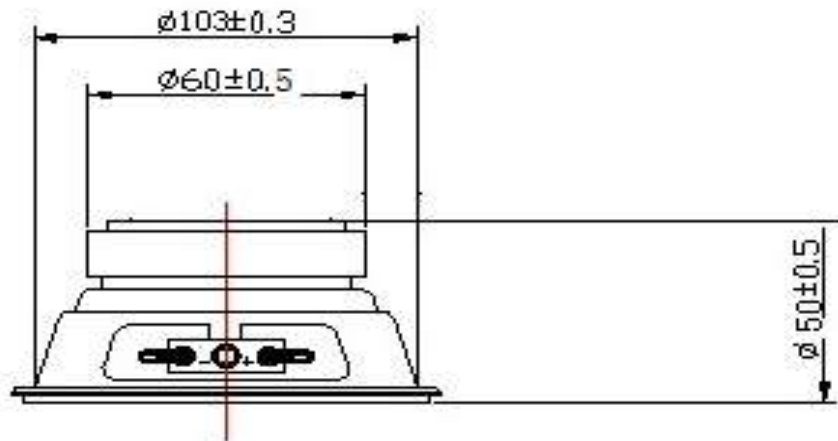


# Specification for Speaker

Model No. VS106X106R8F80P20

Drawing No. VS20230112011

Dimensions:



Unit : mm

Tolerance :  $\pm 0.2$