

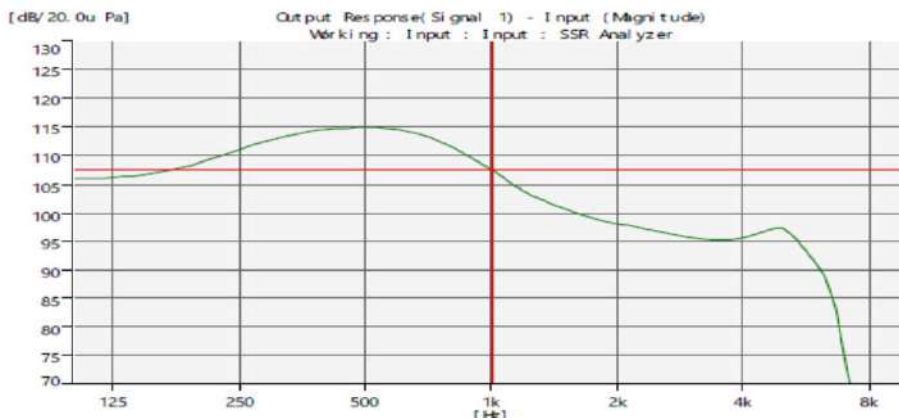
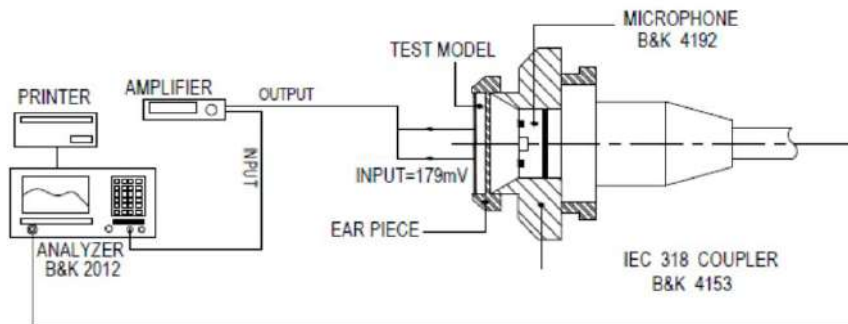
Specification for Receiver

Model No.	VS1029R32L30-R	Drawing No.	VS20221025002
Customer			

SPEC

NO.	Items	Specification	Test Condition
1	Impedance	32Ω ±15%	at 1Vrms,1kHz
2	Resonant Fr. (fo)		
3	Frequency Range	300-3.4KHz	
4	Rated Power	0.01W	
5	Max Power	0.03W	
6	S.P.L.	105dB±3dB	0.1mW/ at 1kHz
7	Distortion	<5% Max.	at 1kHz/2Vrms
8	Sweep Test	must be normal	at sine wave 0.56 V
9	Load Test	after test meet item 8	rated white noise power, 96 Hrs.
10	Heat Test	after test meet item 8	+60±2℃ 20~50% 96Hrs.
11	Cold Test	after test meet item 8	-20±3℃ 96Hrs.
12	Humidity Test	after test meet item 8	+40±2℃,90~95% 96Hrs.
13	Weight	1g	
14	Polarity Test	with positive D.C. voltage to (+) terminal, the cone shall move forward.	
15	Waterproof grade	IP53	

Measurement Method and Frequency Response Curve



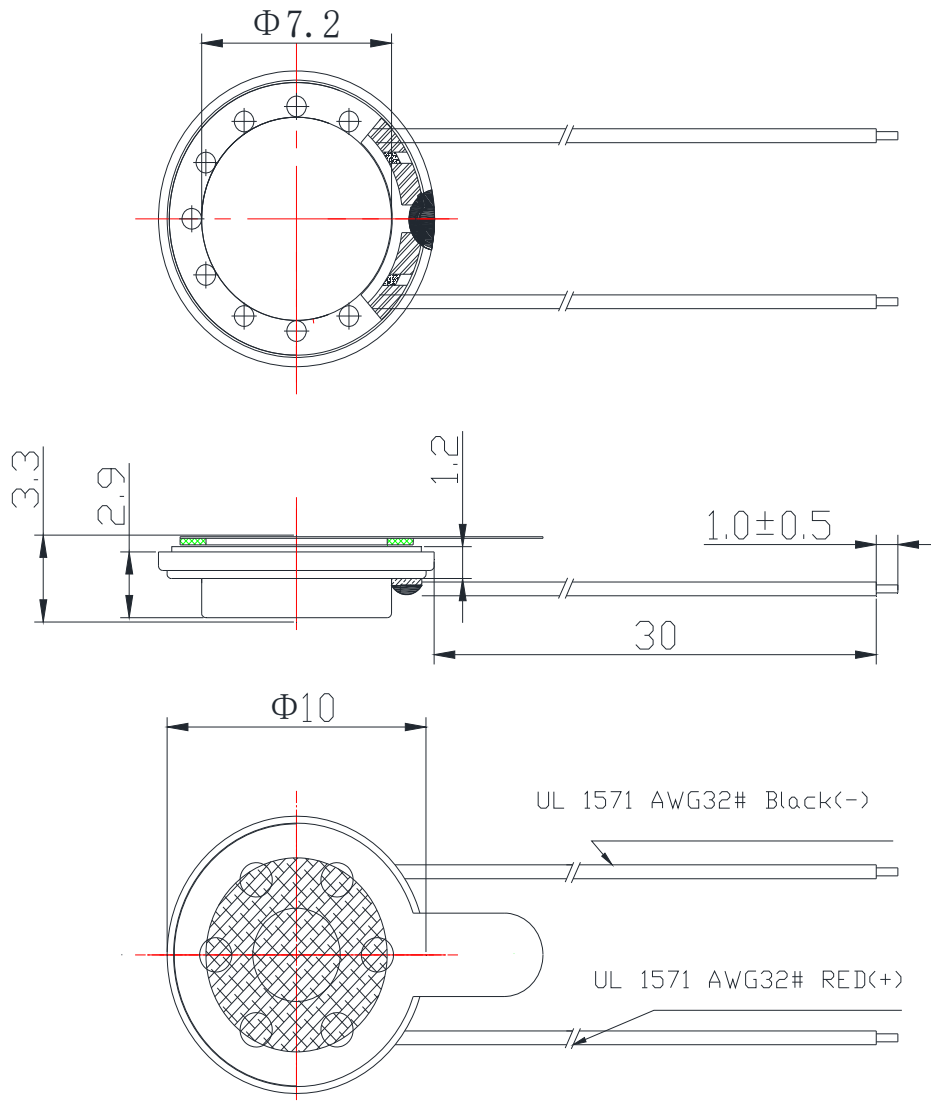
Specification for Receiver

Model No. VS1029R32L30-R

Drawing No.

VS20221025002

Dimensions:



Unit : mm

Tolerance : ± 0.2