



# SPECIFICATION

## FOR APPRONAL

Customer : \_\_\_\_\_

Product Name : Sensor \_\_\_\_\_

Model Name : VS-A1622H12T \_\_\_\_\_

Drawing No. : VS20190817021 \_\_\_\_\_

### Signature of Voise

Approved by	Checkde by	Issued by	Date



福爱斯电子有限公司  
VOISE ELECTRONICS CO.,LTD.

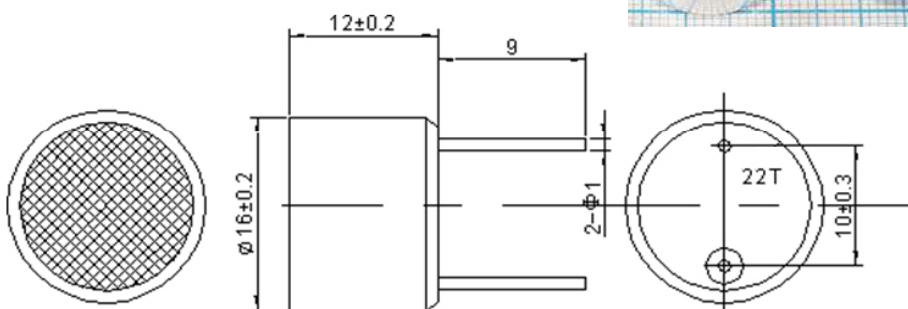
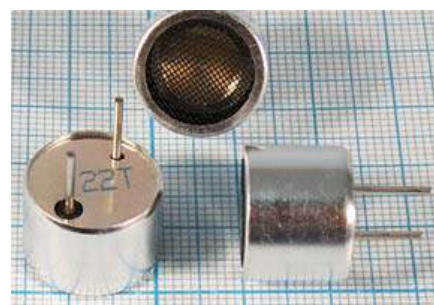
Office Add:Haoyangguang B-302# No.968 Baizhang Road,Ningbo China  
Factory add: Shishan Industrial Park Moushan Town Yuyao City China  
Tel:86-0574-87471601 Fax:86-0574-87471603 P.C.315000  
Http://www.nbvoise.com E-mail:sales@nbvoise.com

Specification for Sensor		Page	2/4
		Revision No.	1.0
Model No.:	VS-A1622H12T	Drawing No.	VS20190817021

## ELECTRICAL SPECIFICATION

No	Items	Specification
1	Construction	Open
2	Using Method	Transmitter
3	Center frequency(KHz)	22 KHZ
4	Directivity	60°
5	Transmitting Sound Pressure Level	≥115dB (10V/30cm/sine wave)
6	Sensitivity	
7	Capacitance(pF)	2500±25% @1kHz
8	Allowable Maximum Input Voltage(Vp-p)	120V (25KHz)
9	Detectable range	12 m
10	Operating Temperature	-30~ +85(°C)
11	Storage Temperature	-40~ +85(°C)
12	Material	AL(Silver)

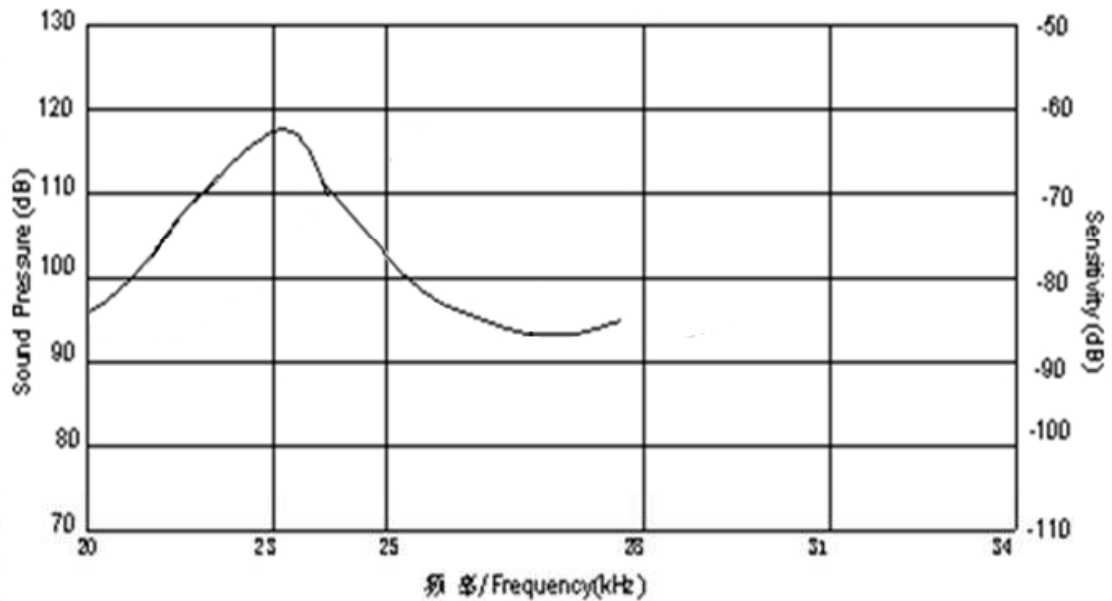
## APPEARANCE AND DIMENSIONS



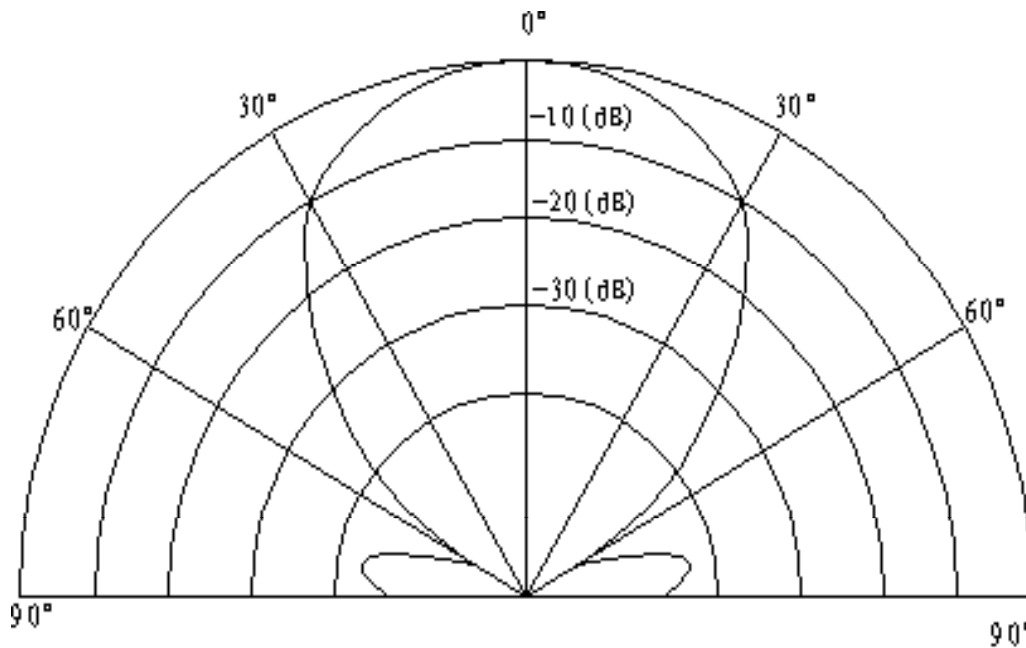
Unspecified tolerance: ±0.5mm

Specification for Sensor		Page	3/4
		Revision No.	1.0
Model No.:	VS-A1622H12T	Drawing No.	VS20190817021

### Beam Pattern



频率特性图/Frequency Characteristics

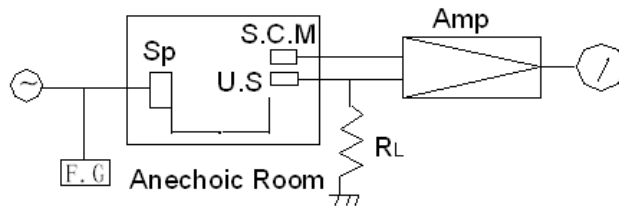


Directivity in Overall Sensitivity

Specification for Sensor		Page	4/4
		Revision No.	1.0
Model No.:	VS-A1622H12T	Drawing No.	VS20190817021

### Test Circuit

#### Receiver



RL: 3.9K $\Omega$

U.S. :Ultrasonic Sensor

S.C.M:Standard Cappacitor Microphone

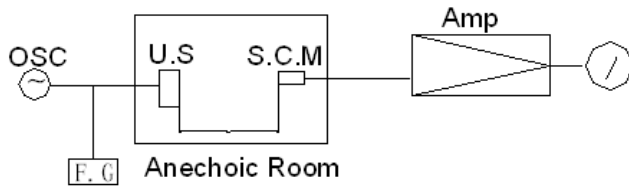
Amp. :Amplifier

OSC. :Oscillator

Sp :Tweeter

F.C :Frequency Counter

#### Transmitter



U.S. :Ultrasonic Sensor

S.C.M:Standard Cappacitor Microphone

Amp. :Amplifier

Input voltage: 10Vrms

F.C :Frequency Counter