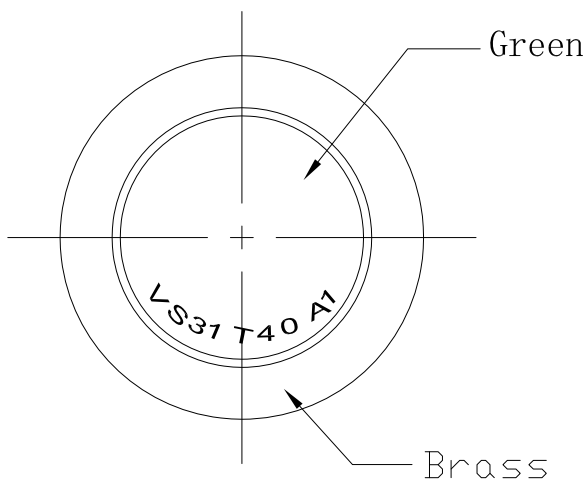


## SPECIFICATION

- 1. Resonant Frequency .....4.0±0.3kHz
- 2. Static Capacitance .....50000±30%(pF) at 100Hz
- 3. Resonant Impedance .....500 Ω Max
- 4. Operating Voltage ..... 30Vp-p max
- 5. Operating Temperature .....-20-+70(°C)
- 6. Storage Temperature .....-30-+80(°C)
- 7. Metal Material.....Brass



### 技术要求:

- 1, 焊锡焊盘的尺寸中最大为2毫米.
- 2, 焊点上必须涂保护胶; 见图示.
- 3, 产品符合欧盟环保要求.

			NINGBO VOISE ELECTRONICS CO.,LTD <a href="http://www.nbvoise.com">http://www.nbvoise.com</a>	
No.	DESCRIPTION	APPROVED	DATE	Piezoelectric Element VS31T40A1
TOLERANCES UNLESS NOTED OTHERWISE X ± XX ± XXX ± 90° FORMED +2° ANGLES -1°		APPROVALS	DATE	
FIRST ANGLE PROJECTION		CHECKED		UNIT mm DWG NO. VS20190227026
APPROVED			19.02.23	SCALE SHEET VER 1.0