

SPECIFICATION

FOR APPRONAL

Customer : _____

Product Name : Piezo Siren _____

Model Name : VPS5447-W _____

Drawing No. : VS20241023010 _____

Signature of Voise

Approved by	Checkde by	Issued by	Date

 **福爱斯电子有限公司**
VOISE ELECTRONICS CO.,LTD.

Address:No 96 Mogao Dongqian Lake Industial Area ningbo,China,
Tel:0086-0574-87773030;Fax:0086-0574-87471600 P.C.315121
<http://www.nbvoise.com> Email:sales@nbvoise.com

Specification for Siren		Page	2/3
		Revision No.	1.0
Model No. : VPS5447-W		Drawing No.	VS20241023010

2. Scope

This specification is applied to the siren used for sounder in alarm systems, Please contact us when using this product for any other applications than described in the above.

3. General

- 2.1 Out-Diameter : 54 mm
- 2.2 Height x Light : 47x72 mm
- 2.3 Weight : 80 ±10g
- 2.4 Operating Temperature range:
-20~+60 °C without loss of function
- 2.5 Store Temperature range:
-30~+70 °C without loss of function

4. Electrical and Acoustic Characteristics.

Test condition : 15 ~ 35 °C, 25% ~ 85% RH, 860~1060 mbar

No	Items	Specification
1	Rated voltage	28VDC
2	Operating voltage	9-30VDC
3	Max Rated Current	250mA at 28VDC
4	Min Sound pressure Level	100dB/105dB/120dB at 9VDC/12VDC/28VDC/100cm
5	Tone Nature	Siren-Warble
6	shell Material /color	ABS/Black
7	Wire	Red +28VDC
8	Wire	Black GND

Specification for Siren

Page

3/3

Revision No.

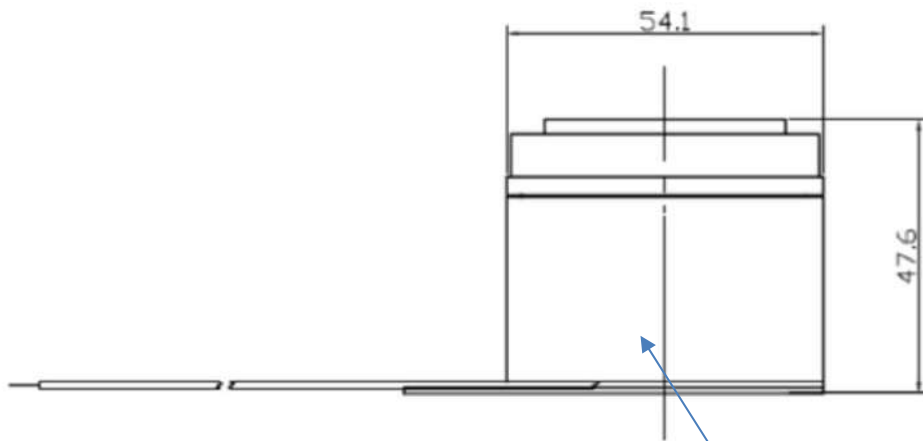
1.0

Model No. : VPS5447-W

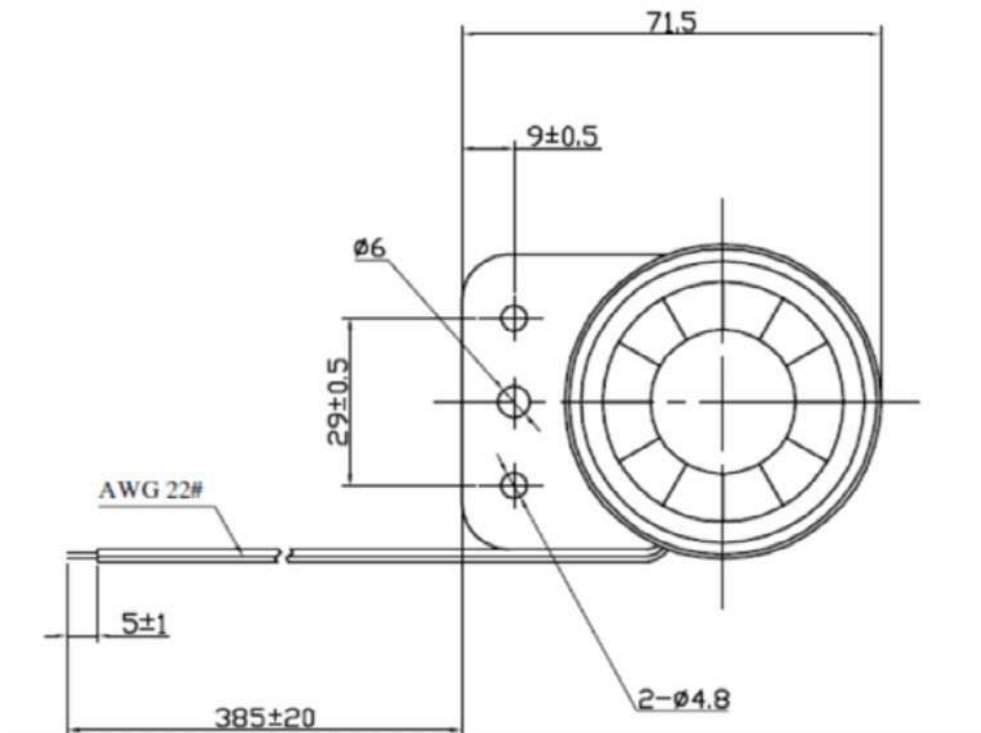
Drawing No.

VS20241023010

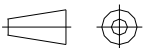
5. Dimensions



Marking
VPS5447-W
9-30VDC



FIRST ANGLE PROJECTION



UNIT : mm

Tolerance : ±1.5