

SPECIFICATION

FOR APPRONAL

Customer : _____

Product Name : Piezo Siren _____

Model Name : VPS-4540-6T _____

Drawing No. : VS20241022002 _____

Signature of Voice

Approved by	Checkde by	Issued by	Date



Address:No 96 Mogao Dongqian Lake Industial Area ningbo,China,
Tel:0086-0574-87773030;Fax:0086-0574-87471600 P.C.315121
<http://www.nbvoice.com> Email:sales@nbvoice.com

Specification for Siren	Page	2/3
	Revision No.	1.0
	Drawing No.	VS20241022002
Model No. : VPS-4540-6T		

2. Scope

This specification is applied to the siren used for sounder in alarm systems, Please contact us when using this product for any other applications than described in the above.

3. General

- 2.1 Length : 44.5 mm
- 2.2 WidthxHeight : 57.5x56.5 mm
- 2.3 Weight : 65 ±10g
- 2.4 Operating Temperature range:
-20~+60 °C without loss of function
- 2.5 Store Temperature range:
-30~+70 °C without loss of function

4. Electrical and Acoustic Characteristics.

Test condition : 15 ~ 35 °C, 25% ~ 85% RH, 860~1060 mbar

No	Items	Specification
1	Rated voltage	24VDC
2	Operating voltage	9-30VDC
3	Max Rated Current	200mA at 24VDC
4	Min Sound pressure Level	95dB-115dB at 9VDC-24VDC/100cm
5	Tone Nature	Siren-6T
6	shell Material /color	ABS/Black
7	Wire	Red +24VDC
8	Wire	Black GND

Specification for Siren

Page

3/3

Revision No.

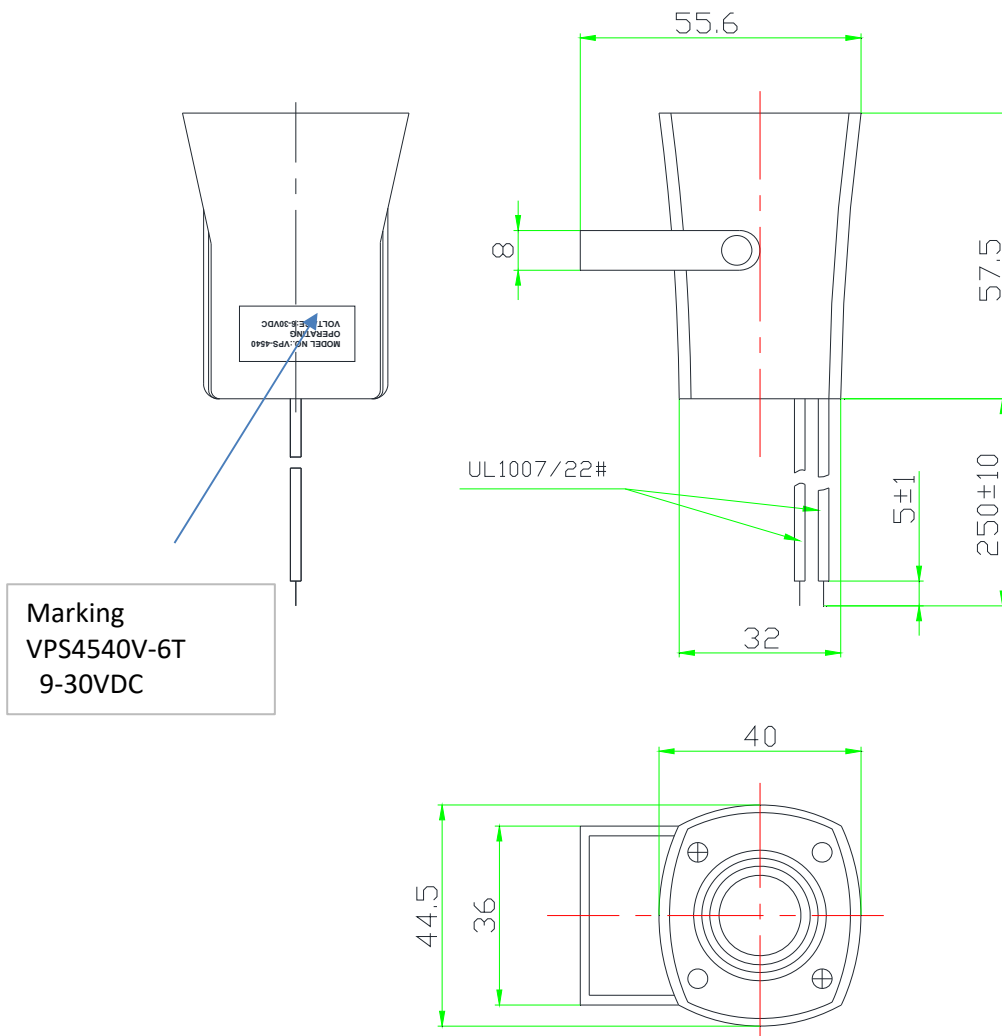
1.0

Model No. : VPS-4540-6T

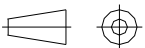
Drawing No.

VS20241022002

5. Dimensions



FIRST ANGLE PROJECTION



UNIT : mm

Tolerance : ±1.5