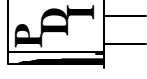


# Precision Devices, Inc.

8840 N. Greenview Dr.  
Middleton, WI 53562  
Phone: 608-831-4445  
1-800-274-XTAL  
Fax: 608-831-3343



Visit our web site at [www.pdixtal.com](http://www.pdixtal.com)

Sales Information [sales@pdixtal.com](mailto:sales@pdixtal.com)

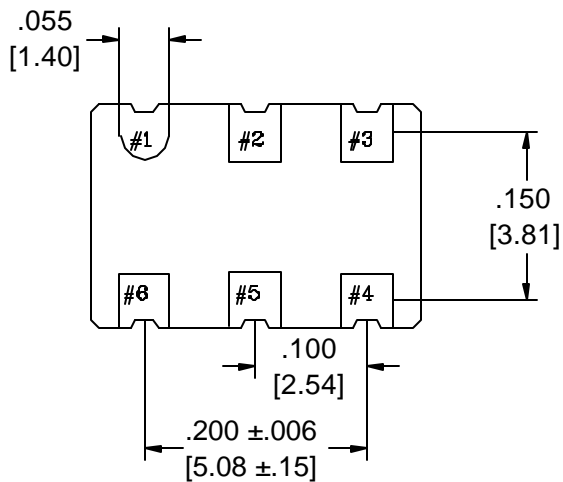
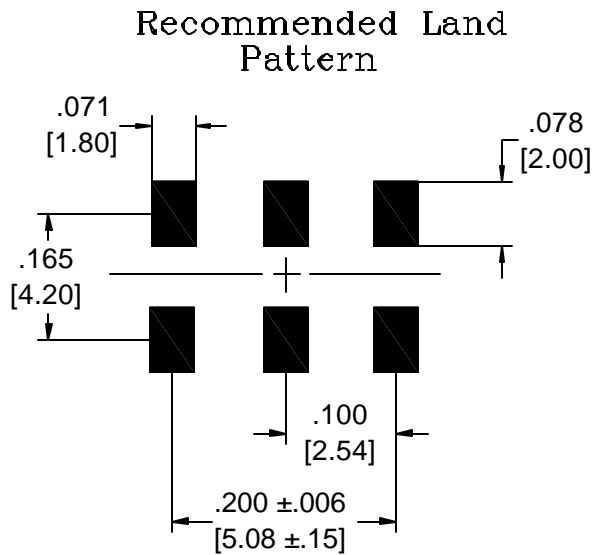
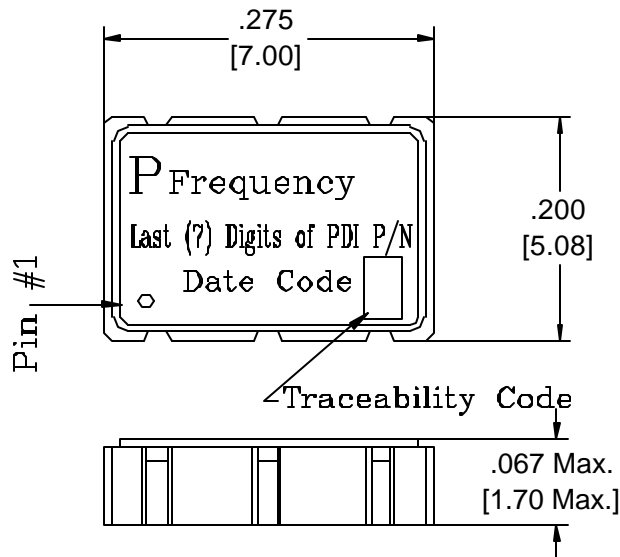
## Electrical Specifications

- Center Frequency: 27.045000MHZ
- Output: HCMOS/TTL
- Frequency Tolerance @ +25°C: ±10.0ppm at +1.65V
- Frequency Deviation: ±100.0ppm Min., ±150.0ppm Max.
- Operating Temperature Range: -20°C to +70°C
- Frequency Stability: ±15.0ppm
- Storage Temperature Range: -55°C to +125°C
- Duty Cycle: 45/55% Typ., 40/60% Max.
- T-Rise/T-Fall Times: 5.0nSec Max., 2.0nSec Typ.
- Supply Current: 40.0mA Max.
- Control Voltage: +0.3Vdc to +3.0Vdc
- Supply Voltage: +5.0Vdc ±5%
- Output Level: "0"= +0.5V Max., "1"= +4.5V Min.
- Load: 15.0pF Min.
- Linearity: 10%
- Aging: ±5.0ppm for 10 years

## Notes

- There will be no interruption of carrier frequency during low to high, high to low voltage control (Step 1) step change.
- After a transition from +0.3Vdc to +4.5Vdc, or from +4.5Vdc to +0.3Vdc, there will be a stable frequency at the output (Pin 4) in less than 250 cycles.
- No Change in products shall be made without qual testing by PDI and Tri-Tronics.
- 25pcs / Reel must be tested with Tri-Tronics Test Fixture Prior to Shipment

REV.	DATE	PAGE	DESCRIPTION	ECN	Originator	Date	Engineering	Date
					D.B.	4/25/06	B.A.A.	4/25/06
					TITLE	FKA		
					Voltage Control Crystal Oscillator			4801
					PART NUMBER			<b>VC7T27045XLABXX</b>
					DATE	SCALE	ECN.	REV.
					4/25/06	N.T.S.	E0702	F
F	04/06	1	Add lines 3 & 4 to PDI Spec Sheet	E0702	SIZE	CAGE	Page 1 of 2	
					A	OS4G1		



PIN	CONNECTION
1	Voltage Control
2	N/C
3	Ground
4	Output
5	No Connect
6	Supply



# Precision Devices Inc.

8840 N. Greenview Dr.  
Middleton WI 53562  
608-831-4445  
1-800-274-XTAL



Manufacturer of Quartz Crystal Products

DECIMAL XX=±.020 XXX=±.008	DWG FILE <b>4801</b>	PART NUMBER <b>VC7T27045XLABXX</b>	
METRIC XX=±.50 XXX=±.20	SCALE <b>N.T.S.</b>	FREQUENCY <b>27.045000MHz</b>	DRAWN BY <b>J. Bender</b>
ANGULAR XX=±2°	REV. LEVEL <b>F</b>	ECN NO. <b>E0702</b>	DATE <b>4/25/06</b>
		CAGE CODE <b>OS4G1</b>	<b>Page 2 of 2</b>