

# Precision Devices, Inc.

8840 N. Greenview Dr.  
Middleton, WI 53562  
Phone: 608-831-4445  
1-800-274-XTAL  
Fax: 608-831-3343



Visit our web site at [www.pdixtal.com](http://www.pdixtal.com)

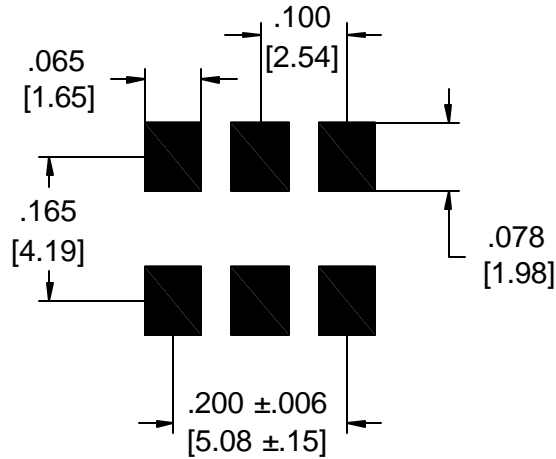
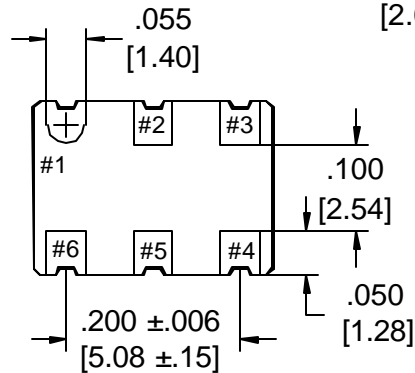
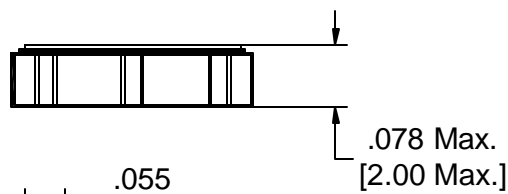
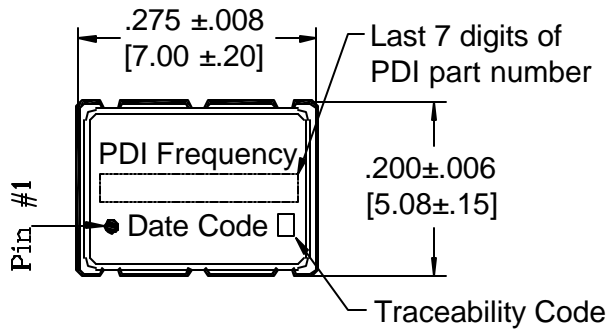
Sales Information [sales@pdixtal.com](mailto:sales@pdixtal.com)

## Electrical Specifications

- Center Frequency: 37.536000MHZ
- Output: HCMOS/TTL
- Frequency Tolerance @ 25°C: ±25ppm all inclusive(including temperature stability, supply voltage, load change, aging, frequency tolerance @ 25°C, and environmental conditions)
- Temperature Stability: ±13ppm Maximum
- Operating Temperature Range: 0°C to +85°C
- Storage Temperature Range: -55°C to +125°C
- Operable Temperature: -40°C to +85
- Linearity: ≤ 5% Maximum
- Control Voltage: +1.65V ±1.5V
- Frequency Impedance: 10K Ohms Minimum
- Supply Current: 25mA Maximum  
Supply Voltage: +3.3Vdc ±5%
- Output Voltage:  
Vol: 10%Vcc  
Voh: 90%Vcc
- Start Up Time: 5mSec Maximum
- Symmetry: 40/60%
- T/Rise, T/Fall: 7nS Maximum
- Enable/Disable:  
Enable: 2V Minimum, 3.3V Maximum  
Disable: 0V Minimum, 0.8V Maximum
- Pullability: ±75ppm Minimum, ±125ppm Maximum
- Modulation BW: ≥ 20KHz
- Aging: ±1ppm/year
- Phase Noise:  
@ 10Hz -60dBc/Hz  
@ 100Hz -90dBc/Hz  
@ 1KHz -120dBc/Hz  
@ 10KHz -140dBc/Hz

21. Surface Finish of Oscillator Package: 100% Tin Plating is unacceptable

REV.	DATE	PAGE	DESCRIPTION	Auth.	ECN	Originator	Date	Engineering	Date
						D.B.	5/17/06	B.A.A.	5/17/06
						TITLE	FKA		5923
						Voltage Controlled Crystal Oscillator			
						PART NUMBER VC7E37536XLBSXX			
						DATE	SCALE	ECN.	REV.
						5/17/06	N.T.S.	N/A	N/A
						SIZE	CAGE	Page 1 of 2	
						A	OS4G1		



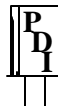
Recommended Land Pattern

PIN	CONNECTION
1	Vc(Control Voltage)
2	Enable/Disable
3	Ground/Case
4	Output
5	No Connect
6	Vcc



# Precision Devices Inc.

8840 N. Greenview Dr.  
Middleton WI 53562  
608-831-4445  
1-800-274-XTAL



Manufacturer of Quartz Crystal Products

DECIMAL XX=±.020 XXX=±.008	DWG FILE <b>5923</b>	PART NUMBER <b>VC7E37536XLBSXX</b>	
METRIC XX=±.50 XXX=±.20	SCALE <b>N.T.S.</b>	FREQUENCY <b>37.536MHz</b>	DRAWN BY <b>D. Baumgarten</b>
ANGULAR XX=±2°	REV. LEVEL <b>N/A</b>	ECN NO. <b>N/A</b>	DATE <b>5/17/06</b>
		CAGE CODE <b>OS4G1</b>	<b>Page 2 of 2</b>