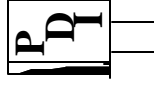


Precision Devices, Inc.

8840 N. Greenview Dr.
 Middleton, WI 53562
 Phone: 608-831-4445
 1-800-274-XTAL
 Fax: 608-831-3343



Visit our web site at www.pdixtal.com

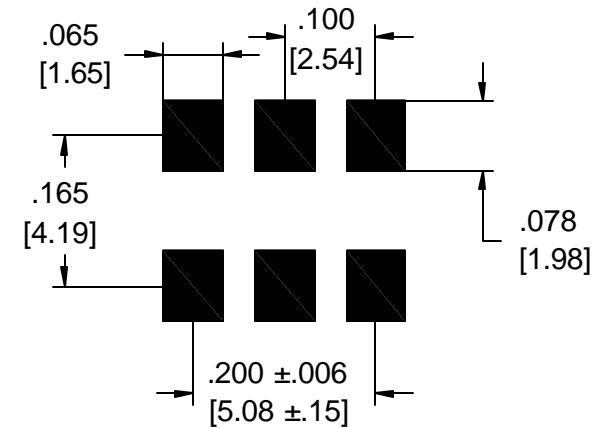
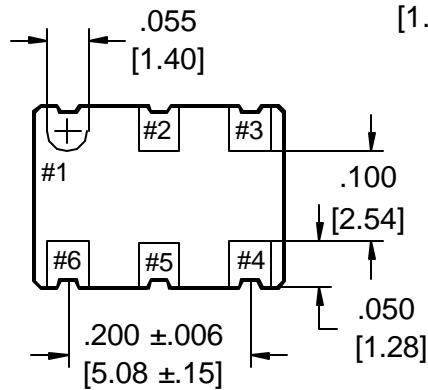
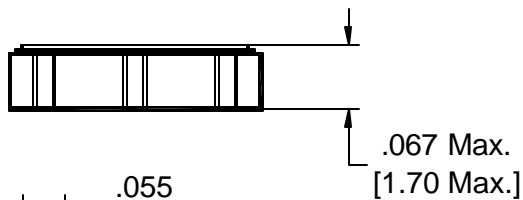
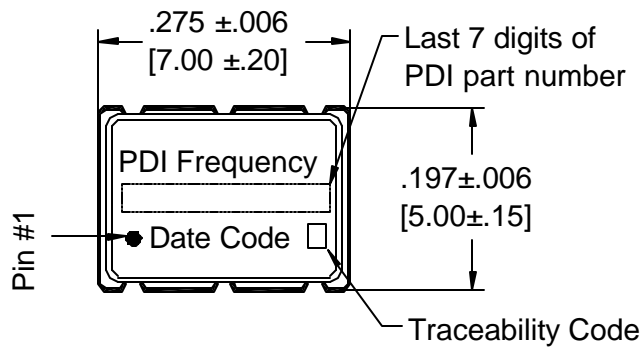
Sales Information sales@pdixtal.com

Electrical Specifications

1. Center Frequency: 50.000000 MHz
2. Output: CMOS
3. Supply Voltage: +3.3Vdc \pm 10%
4. Tolerance @25°C: \pm 25ppm Maximum
5. Control Voltage Range: 0.3Vdc to 3.0Vdc
6. Absolute Pull Range: \pm 50ppm Minimum
7. T-Rise/T-Fall Time: 3.0nS Maximum, 1.0nS Typical
8. Operating Temperature Range: -40°C to +85°C
Storage Temperature Range: -55°C to +125°C
9. Supply Current: 35mA Maximum, 12mA Typical
10. Symmetry: 45%/55% maximum
11. Jitter: 1pS Maximum (15kHz to 28MHz)
12. Oscillation Mode: Fundamental
13. Phase Noise: @10Hz from offset -55dBc/Hz
 @100Hz from offset -85dBc/Hz
 @1KHz from offset -115Bc/Hz
 @10KHz from offset -142dBc/Hz
 @100KHz from offset -148dBc/Hz

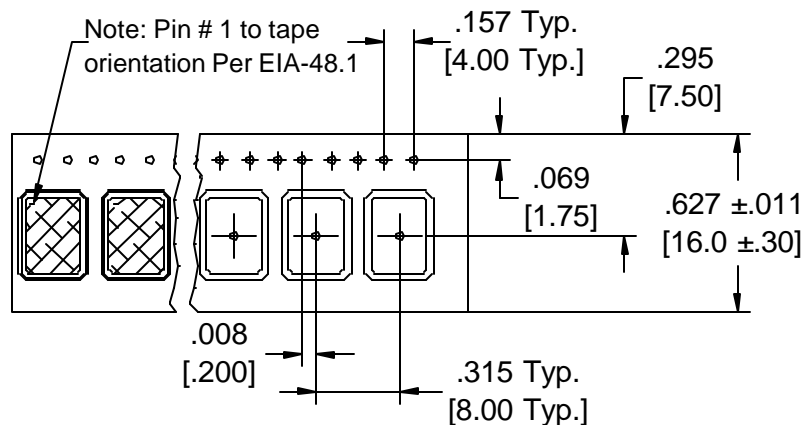
The information contained in this drawing is the sole property of Precision Devices Inc. Any reproduction in part or as a whole without the written permission of Precision Devices Inc. is prohibited.

REV.	DATE	PAGE	DESCRIPTION	Auth.	ECN
			FOR PRELIMINARY USE ONLY		
			Specifications subject to change without notice.		
			TITLE	FKA	
			Voltage Controlled Crystal Oscillator		
			PART NUMBER	65463R	
			VC0750000XCBDRA		
			DATE	SCALE	ECN.
			11/12/09	N.T.S.	N/A
			SIZE	CAGE	REV.
			A	OS4G1	N/A
					Page 1 of 2



Recommended Land Pattern

PIN	CONNECTION
1	Voltage Control
2	Enable/Disable
3	Ground
4	Output
5	No Connect
6	Supply Voltage



Precision Devices Inc.

8840 N. Greenview Dr.
Middleton WI 53562
608-831-4445
1-800-274-XTAL



Manufacturer of Quartz Crystal Products

DECIMAL	DWG FILE	PART NUMBER	
XX=±.020 XXX=±.008	65463R	VC0750000XCBDR	
METRIC	SCALE	FREQUENCY	DRAWN BY
XX=±.50 XXX=±.20	N.T.S.	50.000000 MHz	J.Lawinger
ANGULAR	DRAWING TYPE		DATE
XX=±2°	Voltage Controlled Crystal Oscillator		11/12/09
	REV. LEVEL	ECN NO.	CAGE CODE
	N/A	N/A	OS4G1