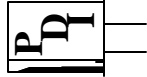
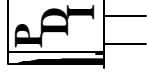


Precision Devices, Inc.



8840 N. Greenview Dr.
 Middleton, WI 53562
 Phone: 608-831-4445
 1-800-274-XTAL
 Fax: 608-831-3343



Visit our web site at www.pdixtal.com

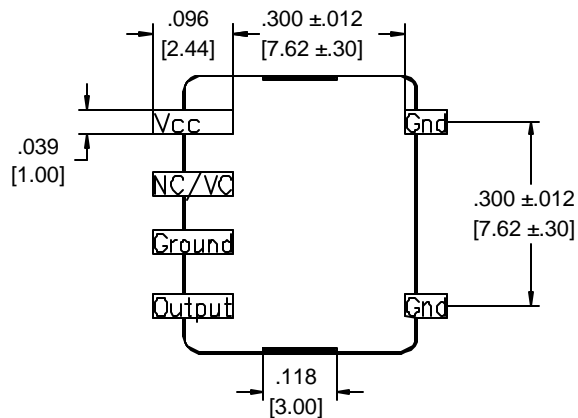
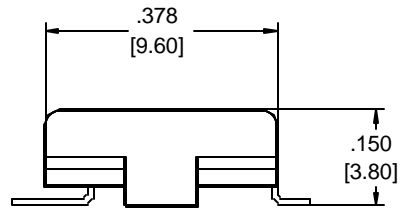
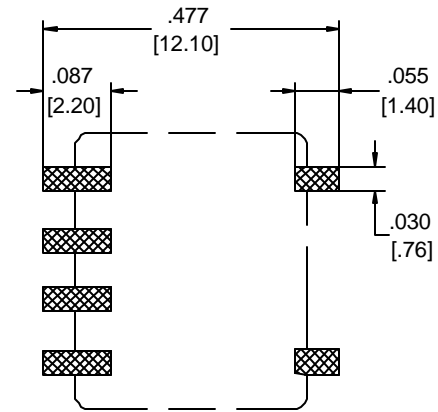
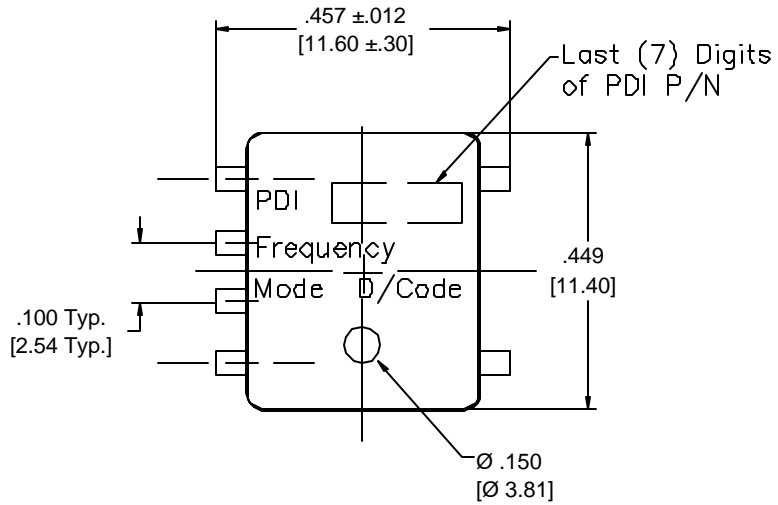
Sales Information sales@pdixtal.com

Electrical Specifications

1. Center Frequency: 10.000000 MHz
2. Output: Clipped Sinewave
3. Frequency Stability over Temperature: ± 1 ppm over 0°C to +50°C
4. Operating Temperature Range: 0°C to +50°C
5. Initial Frequency Tolerance (+25°C $\pm 2^\circ\text{C}$): ± 1 ppm via mechanical adjust
6. Frequency Stability vs Supply Voltage: ± 0.2 ppm/ $\pm 5\text{Vdc} \pm 5\%$
7. Output Level: 1Vpk-pk minimum
8. Output Load: 10K Ohms in parallel with 10pF
9. Supply Voltage: $\pm 5.0\text{Vdc} \pm 5\%$ @ 25mA maximum
10. Phase Noise:
 - @ 10Hz offset: -110dBc/Hz
 - @ 100Hz offset: -140dBc/Hz
 - @ 1.0KHz offset: -143dBc/Hz
 - @ 100KHz offset: -145dBc/Hz

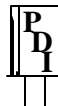
The information contained in this drawing is the sole property of Precision Devices Inc. Any reproduction in part or as a whole without the written permission of Precision Devices Inc. is prohibited.

REV.	DATE	PAGE	DESCRIPTION	Auth.	ECN
FOR PRELIMINARY USE ONLY Specifications subject to change without notice.					
TITLE		FKA		17998	
Temp. Compensated Crystal Oscillator					
PART NUMBER TC3210000XWLLXX					
DATE	SCALE	ECN.	REV.		
11/9/06	N.T.S.	N/A	N/A		
SIZE	CAGE			Page 1 of 2	
A	OS4G1				



Precision Devices Inc.

8840 N. Greenview Dr.
Middleton WI 53562
608-831-4445
1-800-274-XTAL



Manufacturer of Quartz Crystal Products

DECIMAL XX=±.020 XXX=±.008	DWG FILE 17998	PART NUMBER TC3210000XWLLXX	
METRIC XX=±.50 XXX=±.20	SCALE N.T.S.	FREQUENCY 10.000000MHz	DRAWN BY D. Baumgarten
ANGULAR XX=±2°	REV. LEVEL N/A	ECN NO. N/A	DATE 11/9/06
		CAGE CODE OS4G1	Page 2 of 2