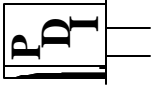
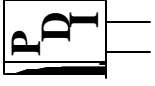


# Precision Devices, Inc.



8840 N. Greenview Dr.  
 Middleton, WI 53562  
 Phone: 608-831-4445  
 1-800-274-XTAL  
 Fax: 608-831-3343



Visit our web site at [www.pdixtal.com](http://www.pdixtal.com)

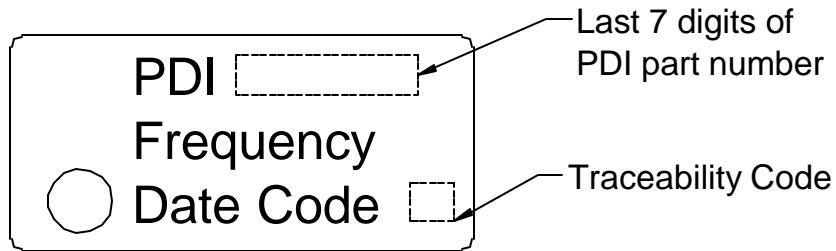
Sales Information [sales@pdixtal.com](mailto:sales@pdixtal.com)

## Electrical Specifications

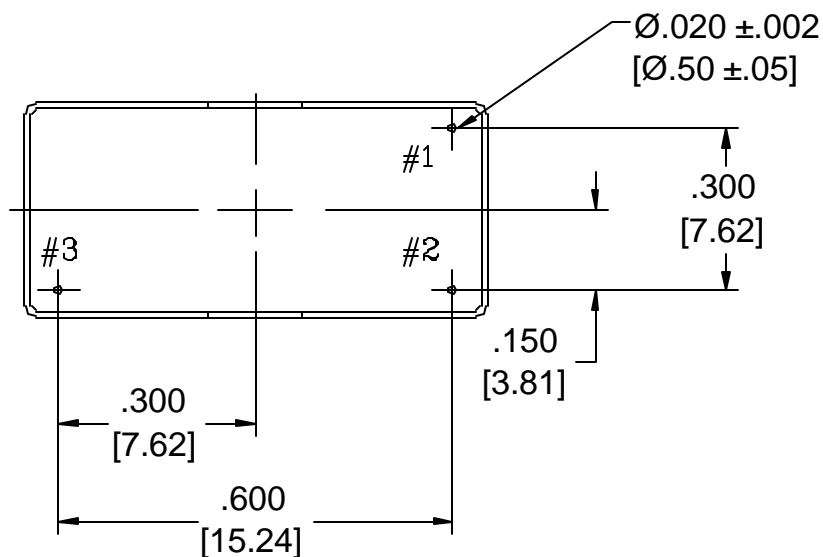
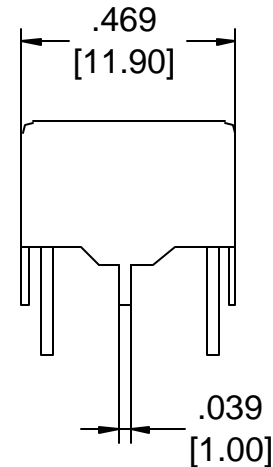
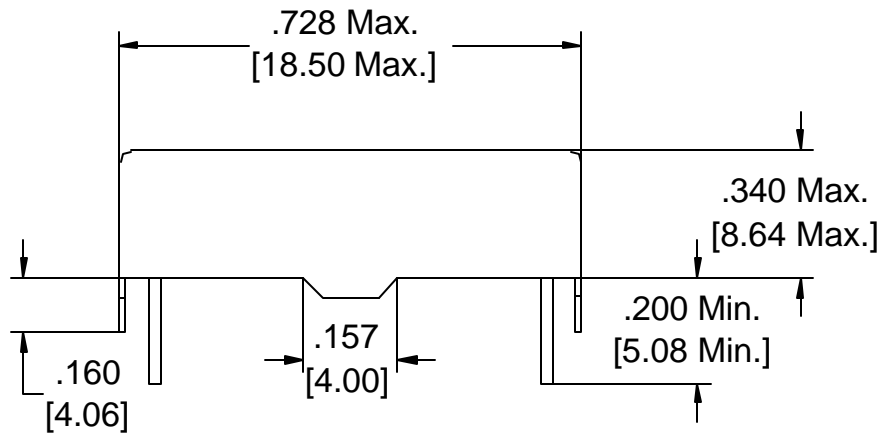
1. Center Frequency: 16.777216MHz
2. Calibration Tolerance: Adjustable to nominal at +25°C
3. Frequency Stability:
  - vs. Time: ±1.0ppm per year Max. at +25°C
  - vs. Supply Voltage: ±0.30ppm Max. for a ±5% change
  - vs. Load: ±0.30ppm Max. for a ±10% change
  - vs. Temperature: ±1.0ppm Max. w.r.t. nominal at +25°C
 frequency over the specified operating temperature range.
4. Supply Voltage: +5.0Vdc ±5.0%
5. Supply Current: 2.0mA Max.
6. Output Characteristics:
  - Waveform: Sinewave Clipped A.C. coupled
  - Output Level: 1.00 volts peak to peak Min.
  - Load Impedance: 20K Ohms in parallel with 5pF
7. Frequency Adjustment: ±3.0ppm Min. w.r.t. nominal frequency at +25°C using internal trimmer
8. Operating Temperature Range: -20°C to +70°C
9. Storage Temperature Range: -40°C to +85°C
10. Phase Noise:
  - 1Hz: -55dBc
  - 10Hz: -90dBc
  - 100Hz: -115dBc
  - 1KHz: -135dBc
  - 10KHz: -140dBc
  - 100KHz: -140dBc

The information contained in this drawing is the sole property of Precision Devices Inc. Any reproduction in part or as a whole without the written permission of Precision Devices Inc. is prohibited.

REV.	DATE	PAGE	DESCRIPTION	Auth.	ECN	Originator	Date	Engineering	Date
						J.R.B.	12/23/04	D.W.	12/23/04
						TITLE		FKA	
						Temperature Controlled Crystal Oscillator 17530			
						PART NUMBER <b>TC2416777XWSBXA</b>			
						DATE	SCALE	ECN.	REV.
						12/23/04	N.T.S.	E0572	A
A	12/04	1	Added phase noise specification	JRB	E0572	SIZE	CAGE	Page 1 of 2	
						A	0S4G1		



PIN	CONNECTIONS
1	Ground
2	Output
3	B+



# Precision Devices Inc.

8840 N. Greenview Dr.  
 Middleton WI 53562  
 608-831-4445  
 1-800-274-XTAL



Manufacturer of Quartz Crystal Products

DECIMAL XX=±.020 XXX=±.008	DWG FILE <b>17530</b>	PART NUMBER <b>TC2416777XWSBXA</b>	
METRIC XX=±.50 XXX=±.20	SCALE <b>N.T.S.</b>	FREQUENCY <b>16.777216MHz</b>	DRAWN BY <b>J. Bender</b>
ANGULAR XX=±2°	DRAWING TYPE Temperature Controlled Crystal Oscillator		DATE <b>12/23/04</b>
	REV. LEVEL <b>A</b>	ECN NO. <b>E0572</b>	CAGE CODE <b>0S4G1</b>