

◆Features

- Ceramic base with metal lid for excellent long-term stability
- Tight Frequency tolerance and stability
- Ultra-miniature for maximum space saving
- Ideal for Bluetooth/Wireless applications



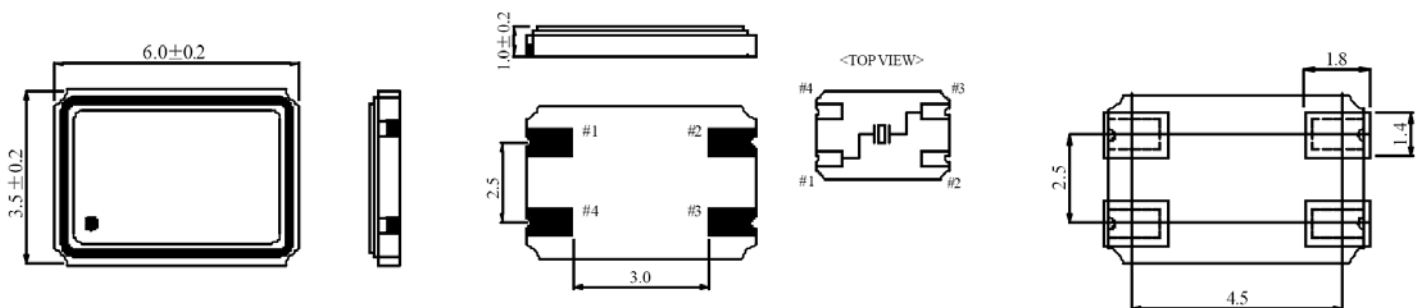
◆Electrical Specifications

| Parameter | Specification |
|--|--|
| Frequency Range F_O | 8.000~80.000MHz |
| Frequency Tolerance at 25°C F_L | $\pm 10\text{ppm}, \pm 20\text{ppm}, \pm 50\text{ppm}$ |
| Frequency Stability over Operating Temp. Range T_L | $\pm 10\text{ppm} \quad \pm 20\text{ppm}$ $\pm 30\text{ppm} \quad \pm 50\text{ppm}$ |
| Operating Temperature T_0 | -10 ~+60°C -20~+70°C -30~+85°C |
| Storage Temperature S_T | -40~+85°C |
| Load Capacitance C_L | Series 8pf, 10pf, 12pf |
| Shunt Capacitance C_0 | 7pF Max. |
| Equivalent Series Resistance R_S | See below Table |
| Insulation Resistance I_R | 500(DC500 \pm 10V)min |
| Drive Lever D_L | 10uW(300uW Max) |
| Aging@25°C | $\pm 5\text{ppm Max.}$ |

◆ESR and Mode of Vibration

| Frequency Range | Mode | ESR (Ω Max) |
|------------------|--------------------------|---------------------|
| 8.000~10.000MHz | Fund | 150 |
| 10.000~12.000MHz | | 80 |
| 12.000~40.000MHz | | 50 |
| 40.000~80.000MHz | 3 rd Overtone | 70 |

◆Mechanical Dimensions (mm)



Marking #2, #4 is connected with metal cap of top.

◆Part Number Information

| | | | | | | |
|----------|-------------------|------------------|-----------------------------------|---|--------------------|---|
| FLT-SX6S | 18.432 | 20 | 30 | 50 | 25 | T1 |
| Type | Frequency | Capacitance | Tolerance | Stability | ESR | Operating Temp |
| | 18.432:18.432 MHz | in pF 20:20pF | at 25°C 30: $\pm 30\text{ppm}$ | Over Temp 50: $\pm 50\text{ppm}$ over -20~+70°C | 25:25 Ω Max | blank=-20~+70°C T1=-10~+60°C T2=-40~+85°C |

Note: All specifications subject to change without notice.