

◆Features

- Ceramic base with metal lid for excellent long-term stability
- Tight Frequency tolerance and stability
- Ultra-miniature for maximum space saving
- Ideal for Bluetooth/Wireless applications



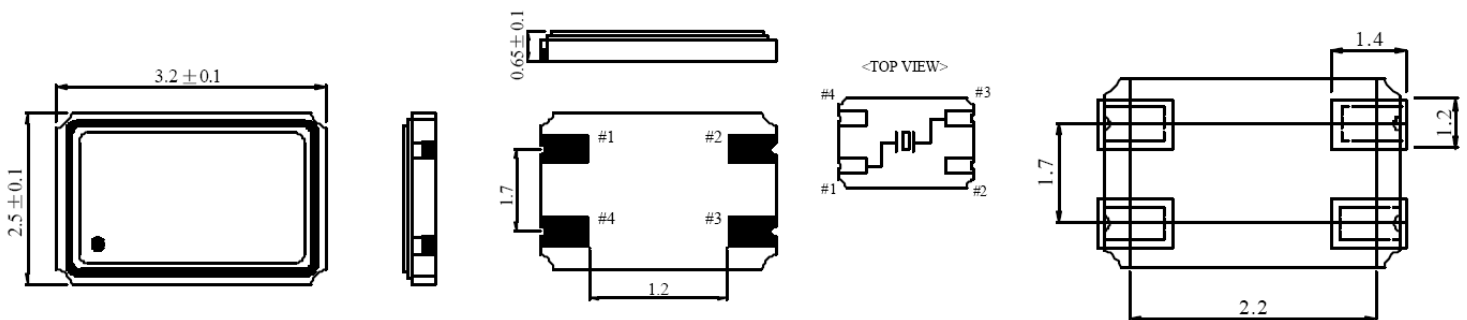
◆Electrical Specifications

Parameter	Specification
Frequency Range F_O	12.000~50.000MHz
Frequency Tolerance at 25°C F_L	$\pm 10\text{ppm} \sim \pm 50\text{ppm}$ available
Frequency Stability over Operating Temp.Range T_L	$\pm 10\text{ppm}$ ($\pm 10\text{ppm} \sim \pm 50\text{ppm}$ available)
Operating Temperature T_0	-20~+70°C -10~+60°C -30~+85°C
Storage Temperature S_T	-40~+85°C
Load Capacitance C_L	Series 8pf, 10pf, 12pf
Shunt Capacitance C_0	1.2pF (typical), 5pF Max.
Equivalent Series Resistance R_S	See Below Table
Insulation Resistance I_R	500(DC500 \pm 10V)min
Drive Lever D_L	10uW(300uW Max)
Aging@25°C	$\pm 5\text{ppm}$ Max.

◆ESR and Mode of Vibration

Frequency Range	Mode	ESR(Ω Max)
12.000MHz	Fund	120
12.000MHz~20.000MHz		80
20.000MHz~28.000MHz		60
28.000MHz~50.000MHz		50

◆Mechanical Dimensions (mm)



Marking #2, #4 is connected with metal cap of top.

◆Part Number Information

FLT-SX3S	26.000	12	10	10	60	T1
Type	Frequency	Capacitance	Tolerance	Stability	ESR	Operating Temp
	26.000:26.000 MHz	in pF 12:12pF	at 25°C 10: $\pm 10\text{ppm}$	Over Temp 10: $\pm 10\text{ppm}$ over -20~+70°C	60:60 Ω Max	blank=-20~+70°C T1=-10~+60°C T2=-40~+85°C

Note: All specifications subject to change without notice.