



Data Sheet
806MHz SAW 3030
SPT806M3030A

V1.0

Description:

The Spectron SPT806M3030A is a SAW filter that work frequency ranges from 791MHz to 821MHz. It is designed for applications in wireless module and Information & Communications filed.

The SPT806M3030A provides +20 dBm power handling, low insertion loss and high out of band rejection.

The design and manufacturing of the SPT806M3030A exploit Spectron's exclusive TSAW technology to deliver competitive performance against state of the art at a low cost.

The SPT806M3030A is compatible with high volume, lead-free SMT soldering processes.

Features:

- Single-Ended Input and Output
- Terminating Impedance: 50 Ω
- RoHS Compliant

Specifications:

- Operation Temperature: -40°C to +85°C
- Usable passband 30.0 MHz
- Compact miniature size
 - 3.0 mm \times 3.0 mm footprint
 - 1.25 mm max-height

Applications:

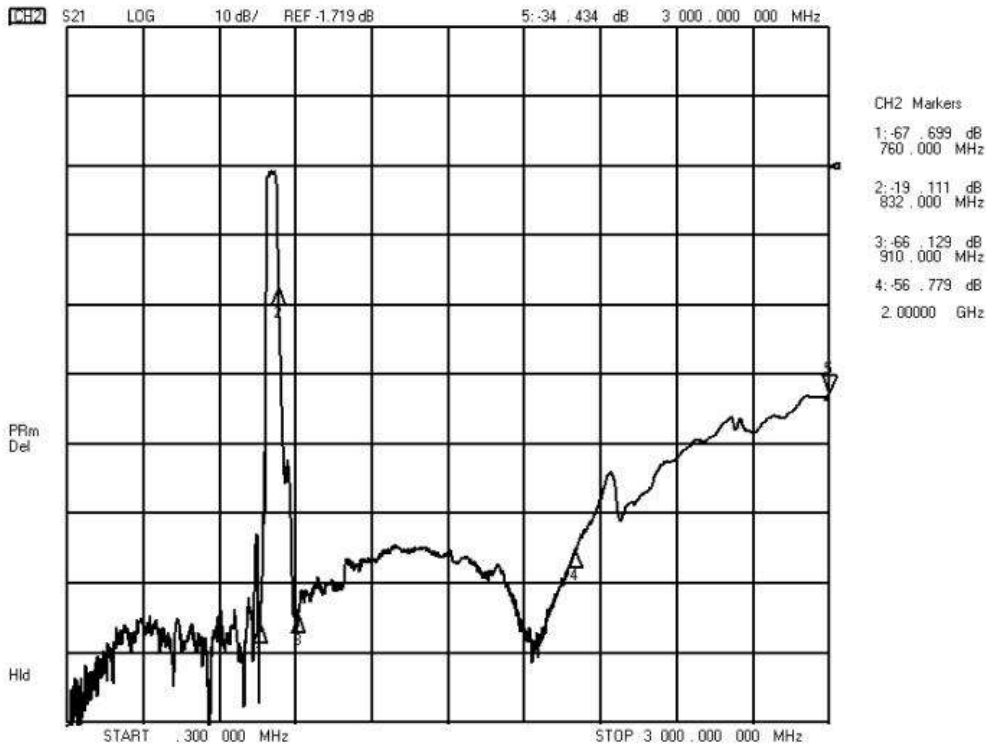
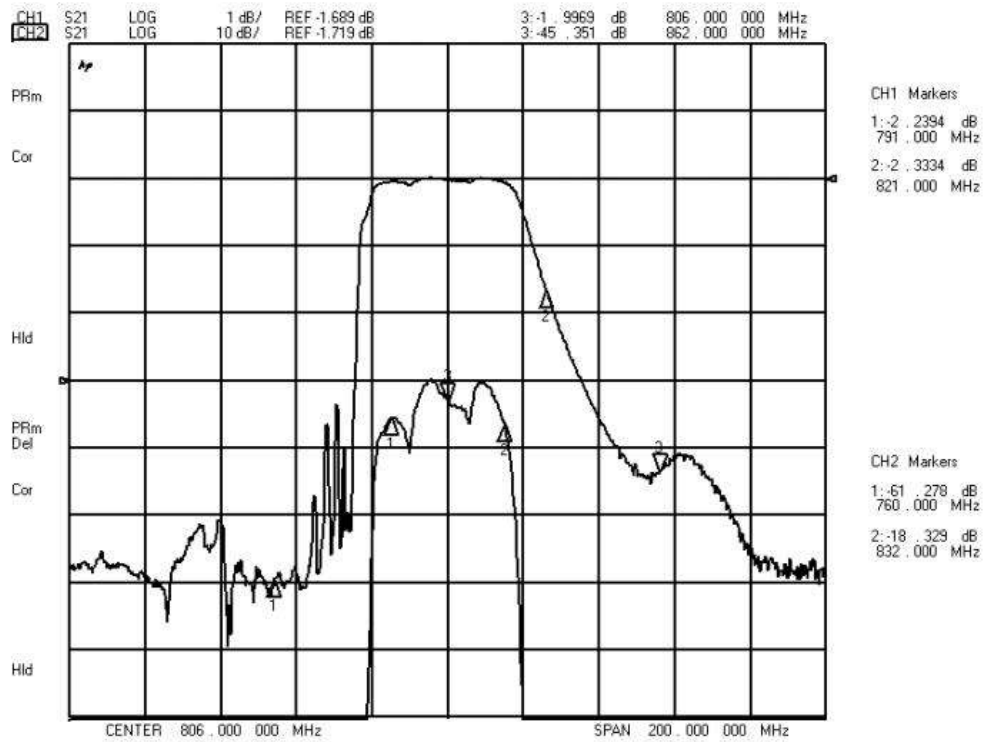
- Information & Communications Devices
- Wireless module

Electrical Specifications**Table 1** Electrical Specifications.

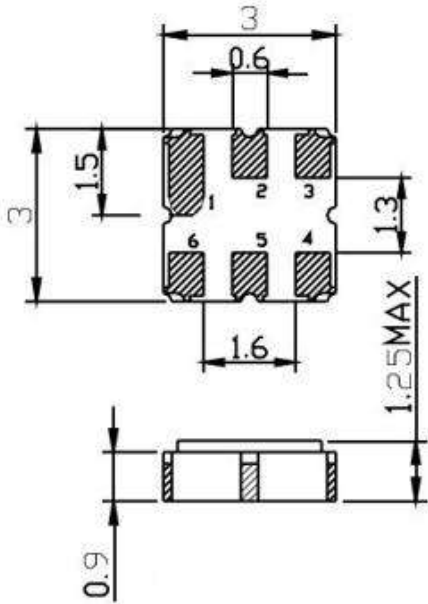
Test Temperature: 25°C±2°C

Item		Minimum	Typical	Maximum	Unit
Center Frequency	fc		806.0		MHz
Insertion Loss(min)	IL		1.5	2.0	dB
Insertion Loss	IL		2.4	3.5	dB
791.00 - 821.00 MHz					
Amplitude Ripple (p-p)	$\Delta\alpha$		0.9	2.0	dB
791.00 - 821.00 MHz					
Group Delay Ripple	GDR		50.0	100.0	ns
791.00 - 821.00 MHz					
Absolute Attenuation	α				
DC - 765.00 MHz		50.0	55.0		dB
776.00 MHz		15.0	17.0		dB
832.00 - 862.00 MHz		10.0	15.0		dB
862.00 - 910.00 MHz		40.0	45.0		dB
910.00 - 2000.00 MHz		35.0	40.0		dB
Input VSWR			1.6:1	2.0:1	/
791.00 - 821.00 MHz					
Output VSWR			1.6:1	2.0:1	/
791.00 - 821.00 MHz					

Figure 1 Electrical Characteristics: Frequency response.

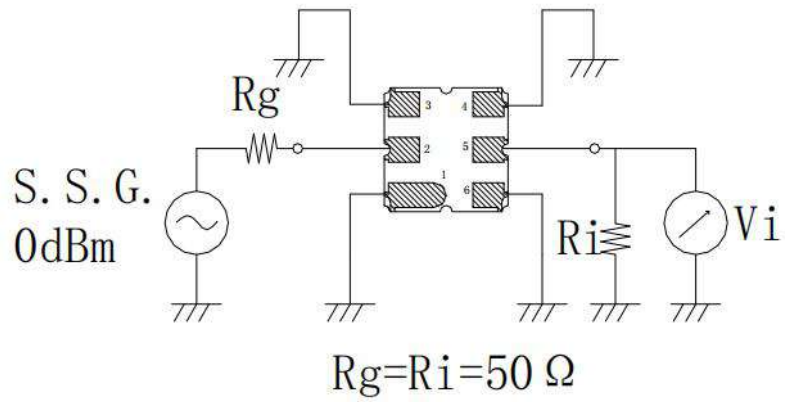


Package & Dimensions



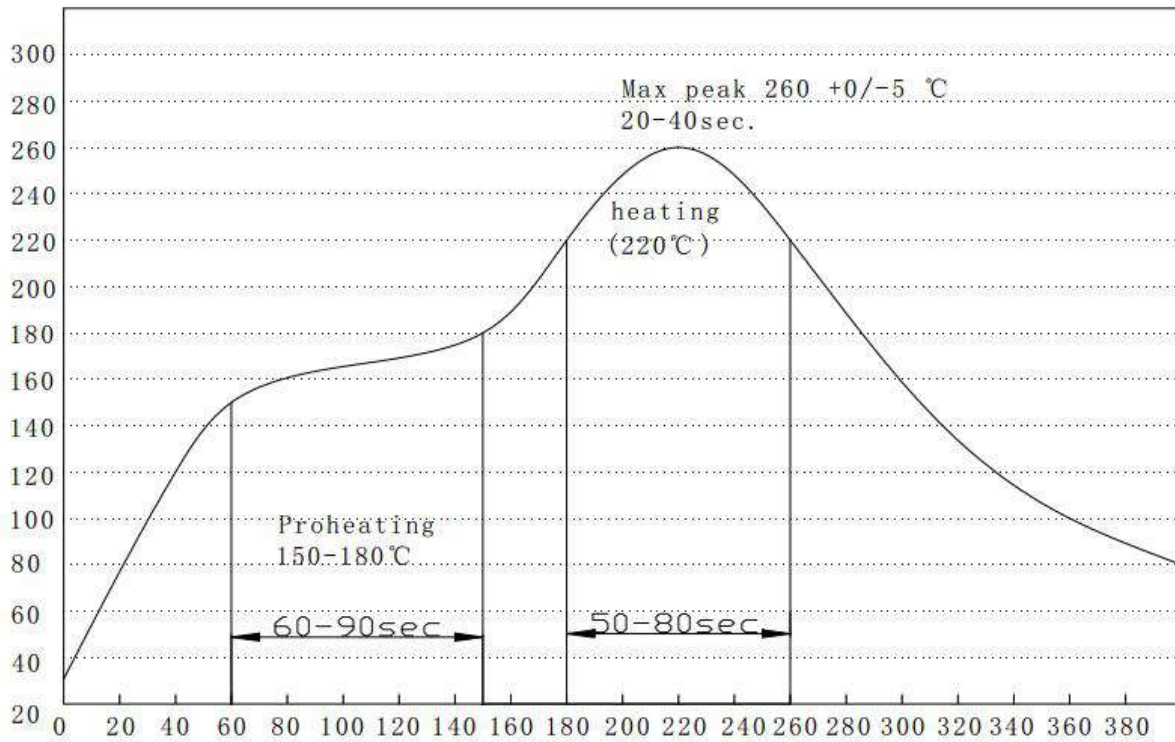
Pin No.	Description
2	Input
5	Output
1,3,4,6	Ground

Test circuit



Maximum Ratings

Item		Value	Unit
Operation Temperature	T	-40 ~ +85	°C
Storage Temperature	T _{stg}	-40 ~ +85	°C
RF Power Dissipation	P	20	dBm

Recommended SMT Solder Profile**Ordering Information**

Part Number	Number of Devices	Container
SPT806M3030A	1000pcs	Tape and Reel

Spectron Technologies, Spectron Microsystems, and the spectrum logo are among the trademarks of Spectron and/or its affiliates in the People's Republic of China, certain other countries, and/or the EU.

Copyright © 2022 Spectron. All Rights Reserved.

The term "Spectron" refers to Specton (Shenzhen) Technologies Co. Ltd and its subsidiaries.

Information furnished by Spectron is believed to be accurate and reliable. Spectron reserves the right to make changes without further notice to any products or data herein to improve reliability, function, or design. However, Spectron does not assume any liability arising from the application or use of this information, nor the application or use of any product or circuit described herein. Neither does Spectron convey any license under its patent rights nor the rights of others.

