



**Data Sheet**  
**2535MHz SAW 3030**  
**SPT2535M3030A**

V1.0

**Description:**

The Spectron SPT2535M3030A is a SAW filter that work frequency ranges from 2500 to 2570MHz. It is designed for applications in IOT equipments and Information & Communications filed.

The SPT2535M3030A provides +20 dBm power handling, low insertion loss and high out of band rejection.

The design and manufacturing of the SPT2535M3030A exploit Spectron's exclusive TSAW technology to deliver competitive performance against state of the art at a low cost.

The SPT2535M3030A is compatible with high volume, lead-free SMT soldering processes.

**Features:**

- Single-Ended Input and Output
- Terminating Impedance: 50  $\Omega$
- RoHS Compliant

**Specifications:**

- Operation Temperature: -40°C to +85°C
- Usable passband 70.0 MHz
- Compact miniature size
  - 3.0 mm  $\times$  3.0 mm footprint
  - 1.25 mm max-height

**Applications:**

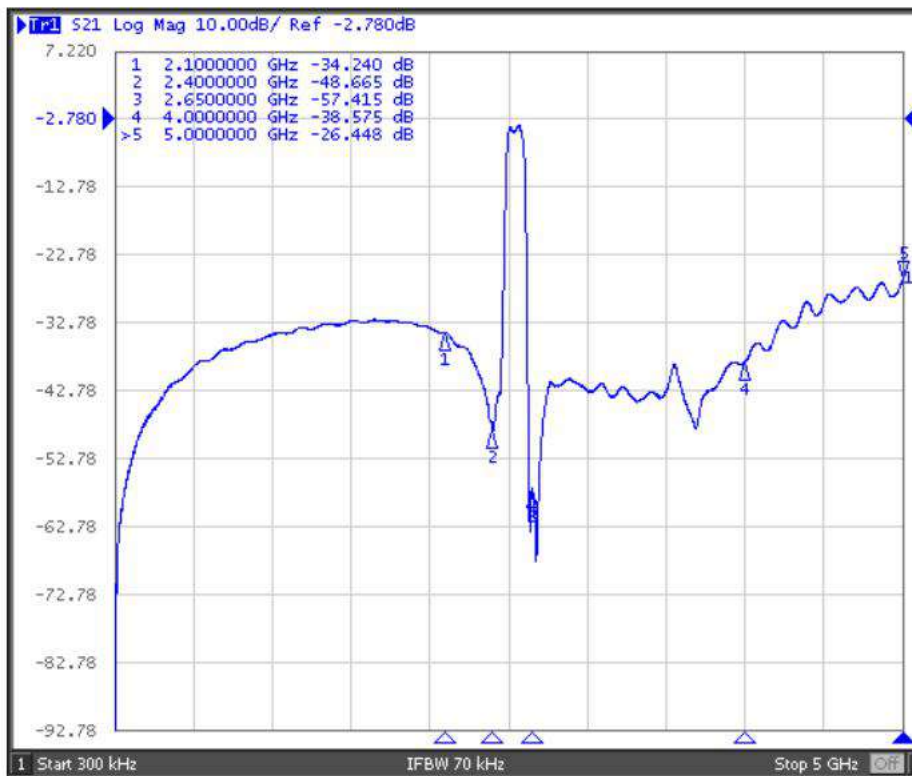
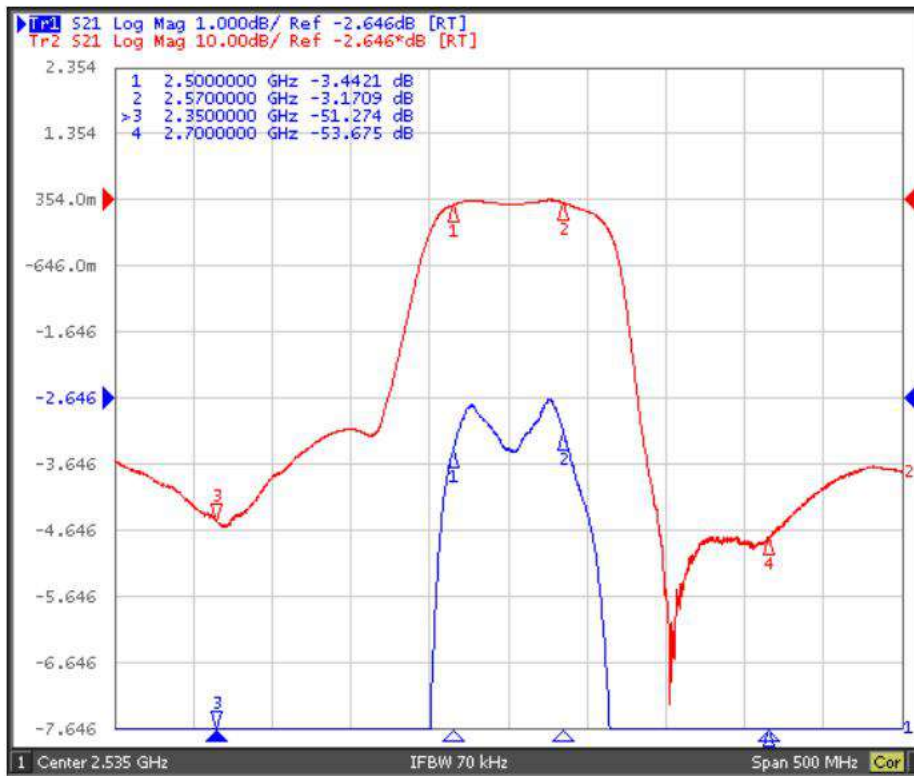
- Information & Communications Devices
- IOT equipments

**Electrical Specifications****Table 1** Electrical Specifications.

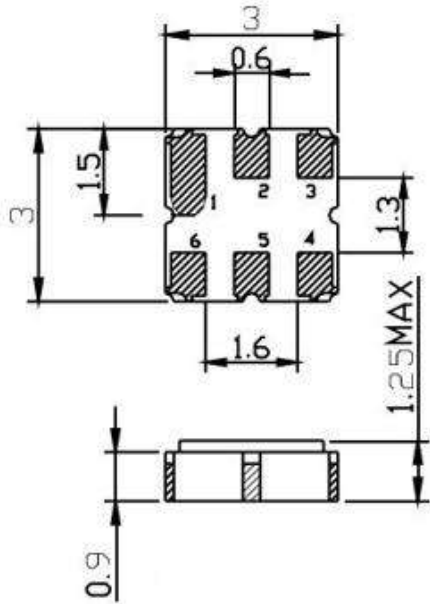
Test Temperature: 25°C±2°C

Item		Minimum	Typical	Maximum	Unit
Center Frequency	fc		2535.00		MHz
Insertion Loss(min)	IL		2.7	3.5	dB
Insertion Loss 2500.00 - 2570.00 MHz	IL		3.5	4.5	dB
Amplitude Ripple (p-p) 2500.00 - 2570.00 MHz	$\Delta\alpha$		0.8	2.2*	dB
Group Delay Ripple 2500.00 - 2570.00 MHz	GDR		10.0	30.0	ns
Absolute Attenuation	$\alpha$				
DC - 2100.00 MHz		25.0	30.0		dB
2100.00 -2400.00 MHz		30.0	35.0		dB
2650.00 -4000.00 MHz		30.0	38.0		dB
4000.00 -5000.00 MHz		20.0	25.0		dB
VSWR 2500.00 - 2570.00 MHz			2.0:1	2.2:1	/

Figure 1 Electrical Characteristics: Frequency response.

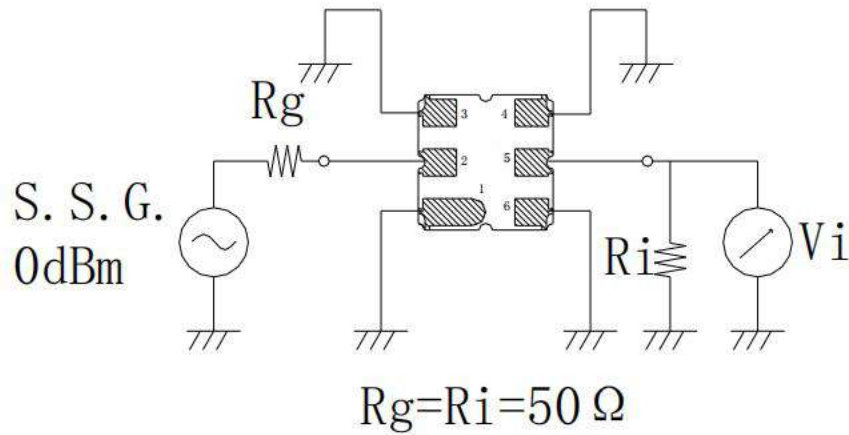


Package & Dimensions



Pin No.	Description
2	Input
5	Output
1,3,4,6	Ground

Test circuit



Maximum Ratings

Item		Value	Unit
Operation Temperature	T	-40 ~ +85	°C
Storage Temperature	T <sub>stg</sub>	-40 ~ +125	°C
RF Power Dissipation	P	20	dBm



6	Solder Ability Test	Temperature: 245°C±5°C Duration: 3.0s--5.0s Depth: DIP--2/3 , SMD--1/5
7	Resistance to Soldering Heat	(1) Thickness of PCB:1mm , Solder condition: 260°C±5°C , Duration: 10±1s (2) Temperature of Soldering Iron: 350°C±10°C, Duration: 3~4s, Recovery time : 2 ± 0.5h

Spectron Technologies, Spectron Microsystems, and the spectrum logo are among the trademarks of Spectron and/or its affiliates in the People's Republic of China, certain other countries, and/or the EU.

Copyright © 2022 Spectron. All Rights Reserved.

The term "Spectron" refers to Spectron (Shenzhen) Technologies Co. Ltd and its subsidiaries.

Information furnished by Spectron is believed to be accurate and reliable. Spectron reserves the right to make changes without further notice to any products or data herein to improve reliability, function, or design. However, Spectron does not assume any liability arising from the application or use of this information, nor the application or use of any product or circuit described herein. Neither does Spectron convey any license under its patent rights nor the rights of others.

