

**SMD QUARTZ CRYSTAL RESONATOR**

**石英晶体谐振器**



**4 Pad Version 6.0x3.5 mm**

- ± 10 ppm type available
- Excellent Reliability Performance
- EMI shielding possible by grounded lid
- Reflow soldering temperature: 260 max
- Ceramic Seam Weld package



RoHS compliant

**PARAMETERS**

**技术参数**

PARAMETERS	参数	SPECIFICATION 规格
Frequency Range	频率范围	8 ~ 50MHz
Operation Mode	振动模式	Fundamental
Loading Capacitance	负载电容	12pF Std. 8 to 32pF Series available
Drive Level	激励电平	10 μ W ( 300 μ W Max )
Frequency Tolerance	频率偏差	± 10ppm ~ ±30ppm ( at 25 )
Equivalent Resistance	谐振电阻	60 Max
Frequency Stability	频率稳定性	±5ppm ~ ±50ppm
Operating Temp. Range:	工作温度范围	-10 ~ +60 to -40 ~ +85
Storage Temp. Range:	储存温度范围	-40 ~ +85

All specification subject change without notice. 规格变化，恕不另行通知。

**FREQUENCY STABILITY VS. TEMPERATURE 频率温度特性**

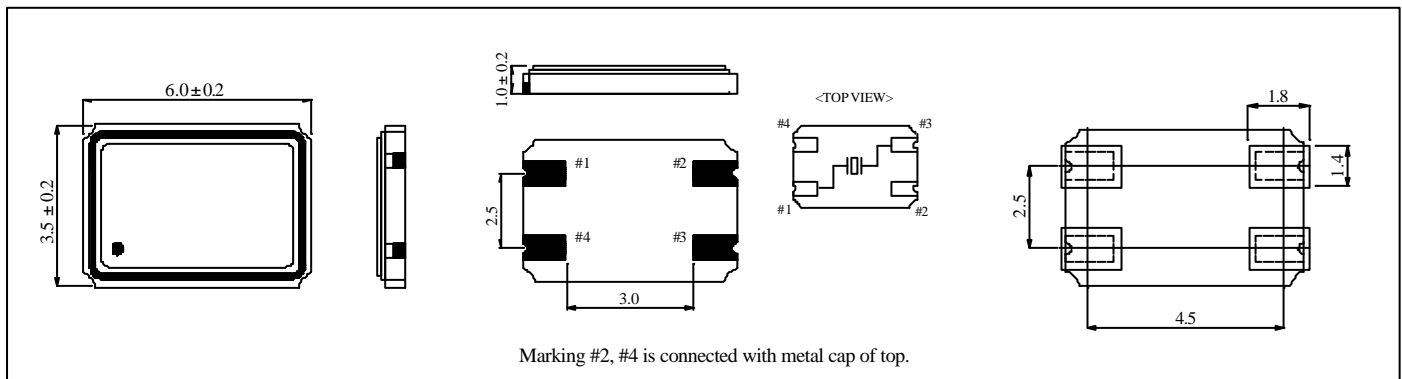
**ESR ( SERIES RESISTANCE RS )**

Operation Temperature Range	Frequency Stability					
	±5ppm	±10ppm	±15ppm	±20ppm	±30ppm	±50ppm
-10 ~ +60						
-20 ~ +70						
-40 ~ +85						

Frequency	Vib. Mode	ESR
8-11.999MHz	AT CUT/FUND.	600(MAX)
12-15.999MHz	AT CUT/FUND.	500(MAX)
16-24.999MHz	AT CUT/FUND.	400(MAX)
25-50.000MHz	AT CUT/FUND.	300(MAX)

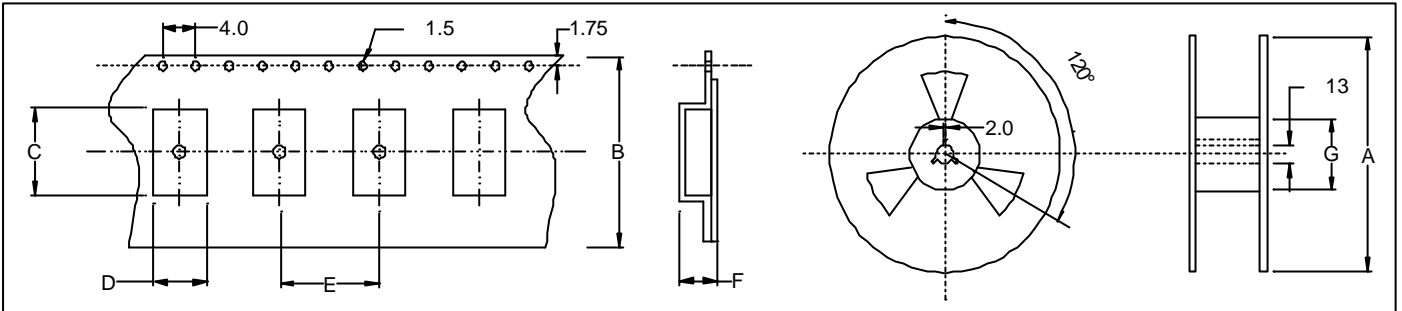
standard available

**DIMENSIONS & LAND PATTERN LAYOUT (Unit: mm) 外形尺寸**



**PART NUMBER GUIDE 部件号示例** e.g. FTX12.000M12SM6S (\*SM6S=6.0x3.5 SMD S-SEAM TYPE)

FT	Quartz Crystal Resonator 石英晶体谐振器	Frequency 频率	Load Capacitance 负载电容	Package 盒型
	X	12.000MHz	12	SM6S

**TAPING SPECIFICATION (Unit: mm) 编带规格**


	A	B	C	D	E	F	G
SMD5032	178±2.0	12.0±0.3	6.40±0.10	3.90±0.10	8.0±0.1	1.5±0.1	60.5±1.0
1000 pcs per reel							

**REFLOW SOLDERING PROFILE 回流焊特性**
