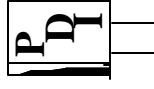


# Precision Devices, Inc.

8840 N. Greenview Dr.  
Middleton, WI 53562  
Phone: 608-831-4445  
1-800-274-XTAL  
Fax: 608-831-3343



Visit our web site at [www.pdixtal.com](http://www.pdixtal.com)

Sales Information [sales@pdixtal.com](mailto:sales@pdixtal.com)

## Electrical Specifications

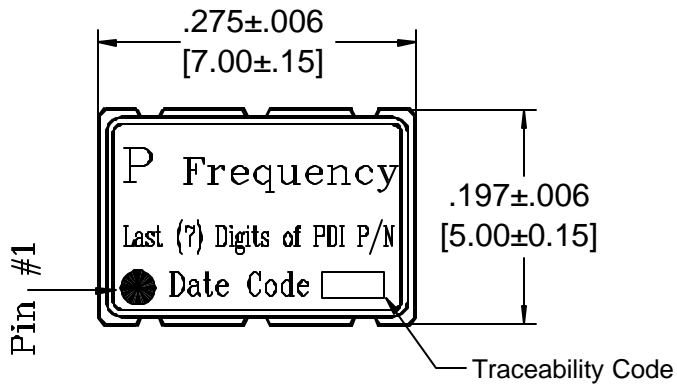
- Center Frequency: 155.520000 MHz
- Output: LVPECL
- Frequency Stability:  $\pm 50$ ppm All Inclusive (Including 10 year Aging)
- Operating Temperature Range:  $-40^{\circ}\text{C}$  to  $+85^{\circ}\text{C}$
- Storage Temperature Range:  $-55^{\circ}\text{C}$  to  $+125^{\circ}\text{C}$
- Supply Voltage:  $+2.5\text{Vdc} \pm 5\%$
- Supply Current: 100mA Max.
- Duty Cycle:  $50\% \pm 10\%$
- Load: 50 Ohms to  $V_{cc-2}\text{Vdc}$
- T-Rise, T-Fall: 600pSec Max. Measured over 20% to 80%
- Logic Levels:
  - High Level: Min.  $V_{dd-1.085}$ /Max.  $V_{dd-0.880}$
  - Low Level: Min.  $V_{dd-1.830}$ / Max.  $V_{dd-1.555}$
- Cycle to Cycle Jitter: 4.8pS Typ.
- RMS Phase Jitter: 0.7pS Max. (12Khz to 20Mhz)
- RMS Period Jitter: 2.7pS Max.
- Enable/Disable Time: 200nSec Max.
- Tristate Logic: "1" = Enable; "0" = Disable

## NOTES:

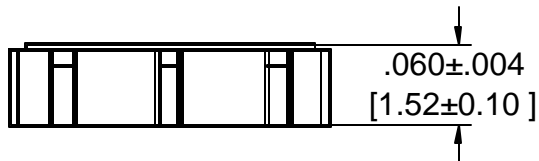
- This part shall not contain any lead products.
- Enable requirement is optional.
- Must use NPC DIE number 5036C1

The information contained in this drawing is the sole property of Precision Devices Inc. Any reproduction in part or as a whole without the written permission of Precision Devices Inc. is prohibited.

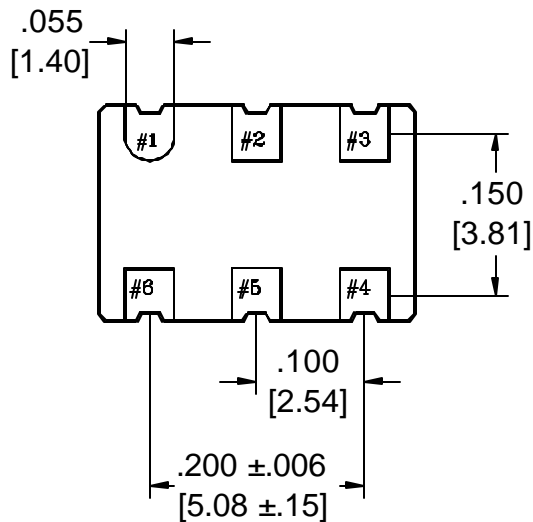
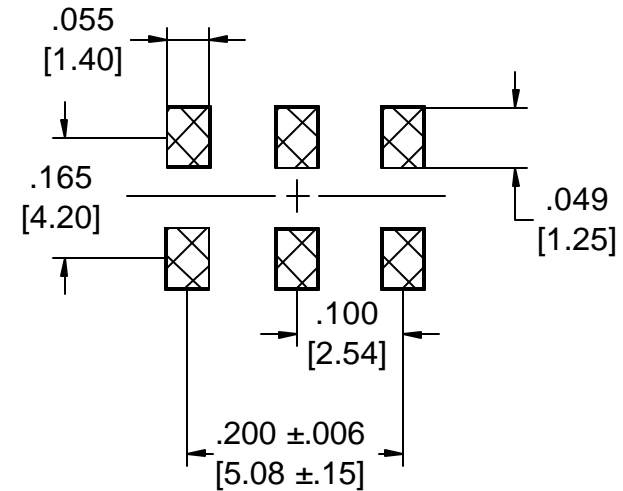
REV.	DATE	PAGE	DESCRIPTION	Auth.	ECN
<b>FOR PRELIMINARY USE ONLY</b> Specifications subject to change without notice.					
		TITLE		FKA	
		Ceramic Crystal Oscillator Assembly		6432	
		PART NUMBER <b>PE07C15552ECDXX</b>			
		DATE	SCALE	ECN.	REV.
		3/30/11	N.T.S.	N/A	N/A
		SIZE	CAGE	Page 1 of 2	
		A	0S4G1		



PIN	CONNECTION
1	Tristate
2	N/C
3	GND
4	CLK+ (LVPECL)
5	CLK+ (LVPECL)
6	Vcc



Recommended Land  
Pattern



# Precision Devices Inc.

8840 N. Greenview Dr.  
Middleton WI 53562  
608-831-4445  
1-800-274-XTAL



Manufacturer of Quartz Crystal Products

DECIMAL	DWG FILE	PART NUMBER	
XX=±.020 XXX=±.008	6432	PE07C15552ECDXX	
METRIC	SCALE	FREQUENCY	DRAWN BY
XX=±.50 XXX=±.20	N.T.S.	155.520000 MHz	J.Lawinger
ANGULAR	DRAWING TYPE	DATE	
XX=±2°	Ceramic Crystal Oscillator Assembly	3/30/11	
	REV. LEVEL	ECN NO.	CAGE CODE
	N/A	N/A	0S4G1