

Precision Devices, Inc.

8840 N. Greenview Dr.
Middleton, WI 53562
Phone: 608-831-4445
1-800-274-XTAL
Fax: 608-831-3343



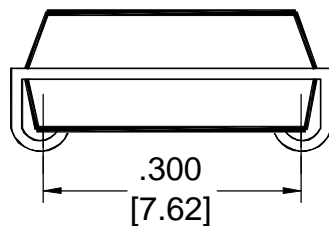
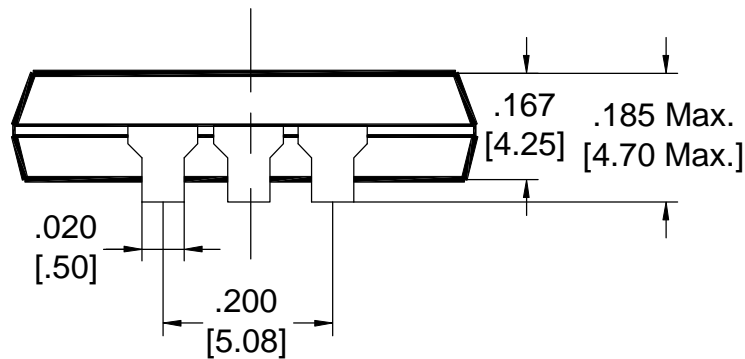
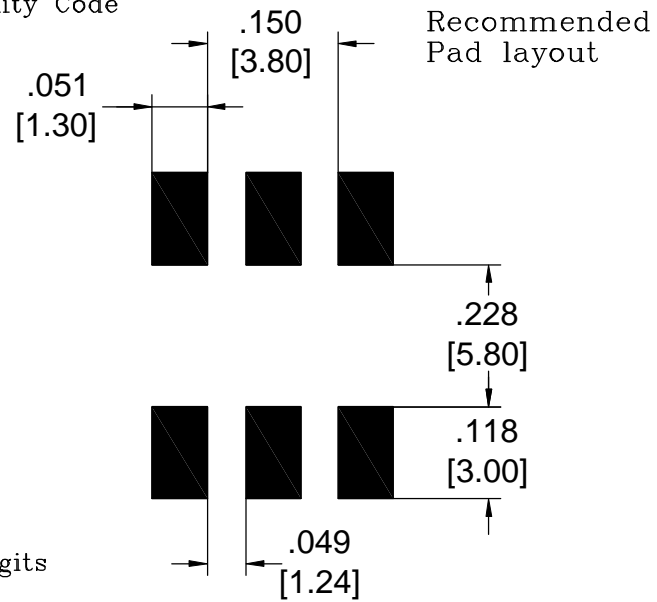
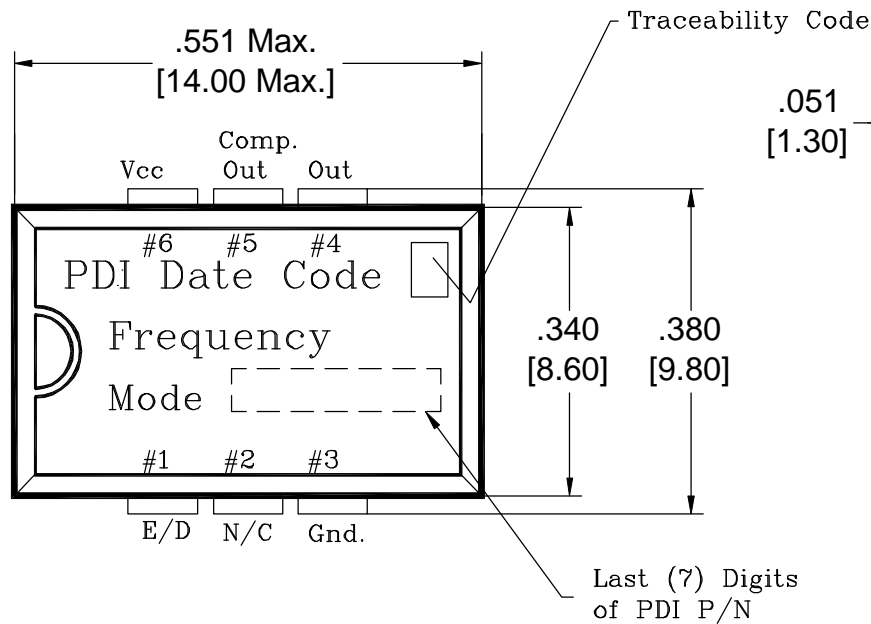
Visit our web site at www.pdixtal.com

Sales Information sales@pdixtal.com

Electrical Specifications

- Center Frequency: 173.370700MHZ
- Output: Complementary PECL
- Frequency Tolerance @ +25°C: ±20.0ppm
- Operating Temperature Range: 0°C to +70°C
- Frequency Stability: ±20.0ppm
- Storage Temperature Range: -55°C to +125°C
- Duty Cycle: 50/50 % ±5%
- T-Rise/T-Fall Times: 1.0ns (20 % to 80%)
- Supply Current: 85.0mA Max.
- Supply Voltage: +3.3Vdc ±5 %
- Aging: 20.0ppm Max. for 10 years
- Jitter: 0.5ps rms Typ., 1.0ps rms @ 155.520MHZ
- Output Level:
 - 0°C to +70°C VoH Vcc -1.025Min., Vcc -0.880 Max.
 - 0°C to +70°C VoH Vcc -1.810 Min., Vcc -1.620 Max.

REV.	DATE	PAGE	DESCRIPTION	Auth.	ECN	Originator	Date	Engineering	Date
						J.R.B.	5/26/04	D.T.	5/26/04
						TITLE Crystal Clock Oscillator		FKA 5167	
						PART NUMBER OP96C17337ESAXX			
						DATE 5/26/04	SCALE N.T.S.	ECN. E0474	REV. A
A	05/04	1	Revised Supply Current	JRB	E0474	SIZE A	CAGE OS4G1		Page 1 of 2



Precision Devices Inc.

8840 N. Greenview Dr.
Middleton WI 53562
608-831-4445
1-800-274-XTAL



Manufacturer of Quartz Crystal Products

DECIMAL XX=±.020 XXX=±.008	DWG FILE 5167	PART NUMBER OP96C17337ESAXX	
METRIC XX=±.50 XXX=±.20	SCALE N.T.S.	FREQUENCY 173.370700MHz	DRAWN BY J. Bender
ANGULAR XX=±2°	REV. LEVEL A	ECN NO. E0474	DATE 5/26/04
		CAGE CODE OS4G1	Page 2 of 2
Crystal Clock Oscillator			