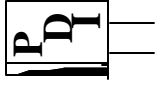


Precision Devices, Inc.

8840 N. Greenview Dr.
Middleton, WI 53562
Phone: 608-831-4445
1-800-274-XTAL
Fax: 608-831-3343



Visit our web site at www.pdixtal.com

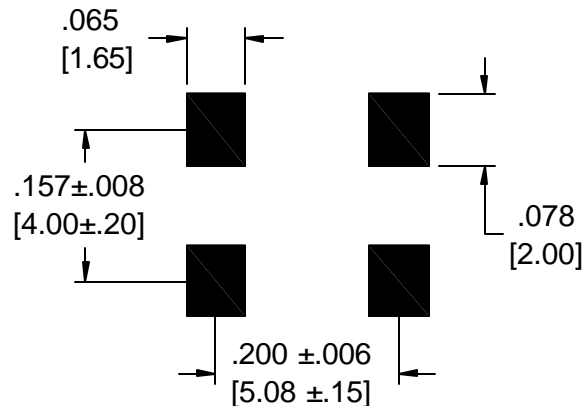
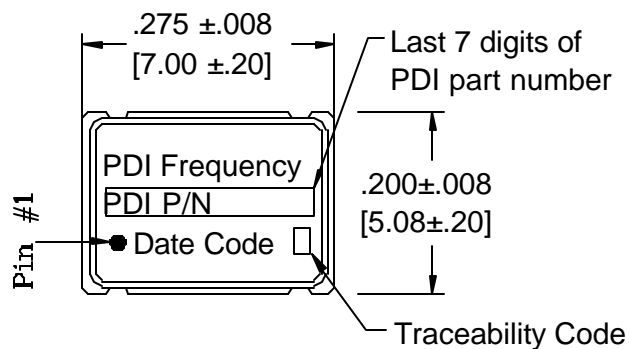
Sales Information sales@pdixtal.com

Electrical Specifications

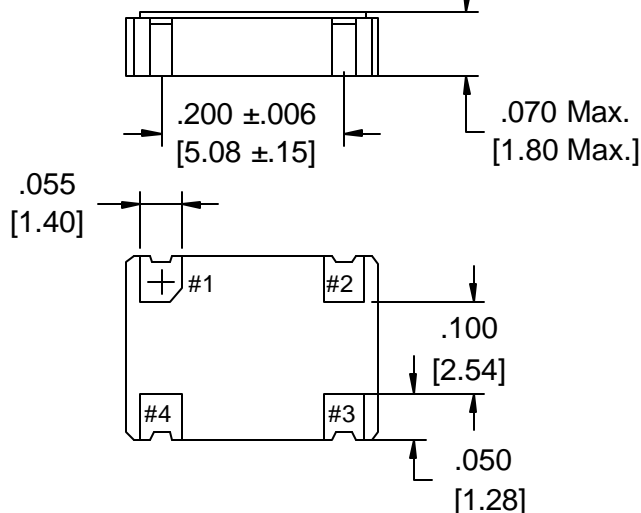
- Center Frequency: 35.328000 MHz
- Output: Square
- Overall Tolerance: ± 35 ppm (Incl. deviations due to initial tolerance, reflow soldering, temperature dependency, supply voltage and load variations but excl. aging)
- Predicted Overall Tolerance: ± 50 ppm (Incl. aging 10 years at operating mean ambient temperature 55°C)
- Operating Temperature: -40°C to +85°C
- Storage Temperature: -40°C to +100°C
- Duty Cycle: 45/55% Max.
- Rise/Fall Times: 6nS Max.
- Supply Current: 50mA Max.
- Supply Voltage: +3.3Vdc $\pm 10\%$
- Load: 15pF Min.
- Output Level: VOL: 0.4V Max., VOH: Vdd -0.4V Min.
- Frequency Perturbations: Best Polynomial Curve Fit: $< \pm 4$ ppm Max.
Slope of Perturbations: $< \pm 2$ ppm/°C Max.
- Start-up Time: 20mS Max.
- Period Jitter: 20pS RMS Max. (jitter bandwidth: 100Hz to 100KHz)
- Input Voltage: VIL: 0.8V Max. (output in high Z state)
VIH: 2.2V Min. (output active)
- Input Current: IIL: -100uA Max., IIH: 100uA Max.
- Disable Time: 100nS Max.
- Enable Time: 20mS Max.

The information contained in this drawing is the sole property of Precision Devices Inc. Any reproduction in part or as a whole without the written permission of Precision Devices Inc. is prohibited.

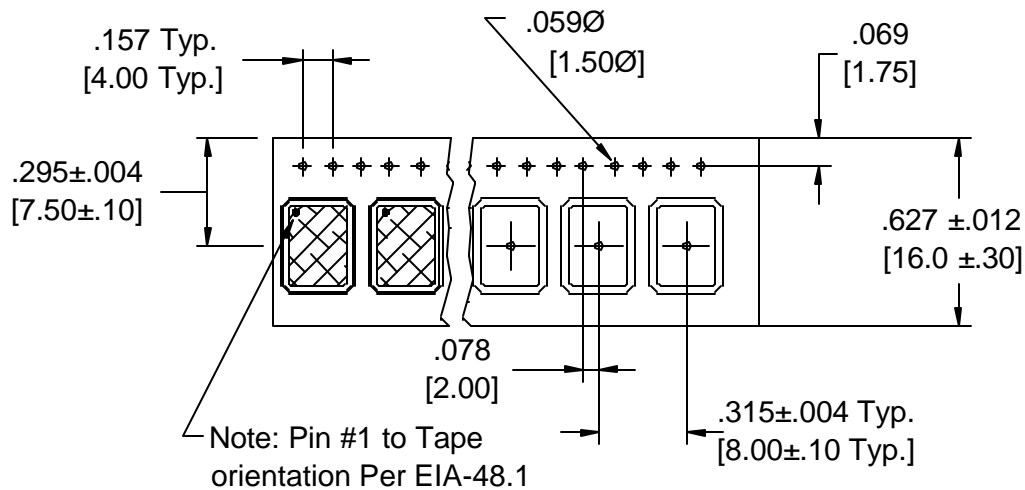
REV.	DATE	PAGE	DESCRIPTION	Auth.	ECN
FOR PRELIMINARY USE ONLY Specifications subject to change without notice.					
TITLE Crystal Oscillator Assembly				FKA 6942R	
PART NUMBER OC7T35328XWSDRX					
DATE 10/23/08		SCALE N.T.S.		ECN. N/A	
REV. N/A		CAGE 0S4G1		REV. N/A	
SIZE A		1 Of 2			



Recommended Land Pattern



PIN	Connection
1	Tristate
2	Ground
3	Output
4	Vcc



Precision Devices Inc.

8840 N. Greenview Dr.
Middleton WI 53562
608-831-4445
1-800-274-XTAL



Manufacturer of Quartz Crystal Products

DECIMAL	DWG FILE	PART NUMBER	
XX=±.020 XXX=±.008	6942R	OC7T35328XWSDRX	
METRIC	SCALE	FREQUENCY	DRAWN BY
XX=±.50 XXX=±.20	N.T.S.	35.328000 MHz	J.Lawinger
ANGULAR	DRAWING TYPE		DATE
XX=±2°	Crystal Oscillator Assembly		10/23/08
	REV. LEVEL	ECN NO.	CAGE CODE
	N/A	N/A	0S4G1