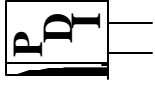


Precision Devices, Inc.

8840 N. Greenview Dr.
Middleton, WI 53562
Phone: 608-831-4445
1-800-274-XTAL
Fax: 608-831-3343



Visit our web site at www.pdixtal.com

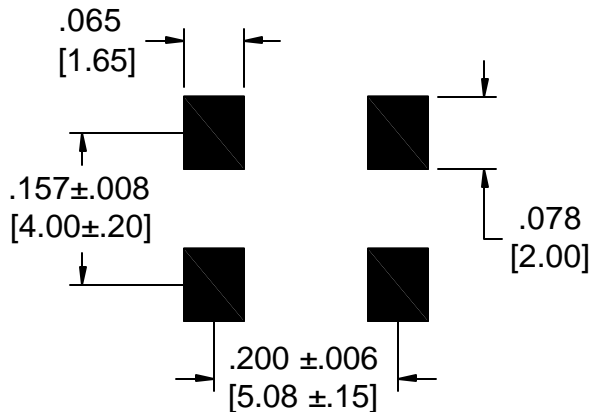
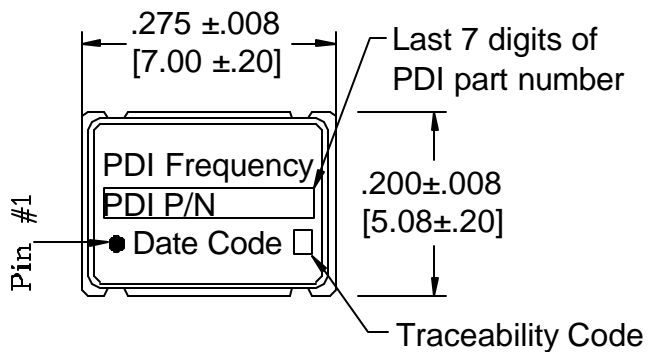
Sales Information sales@pdixtal.com

Electrical Specifications

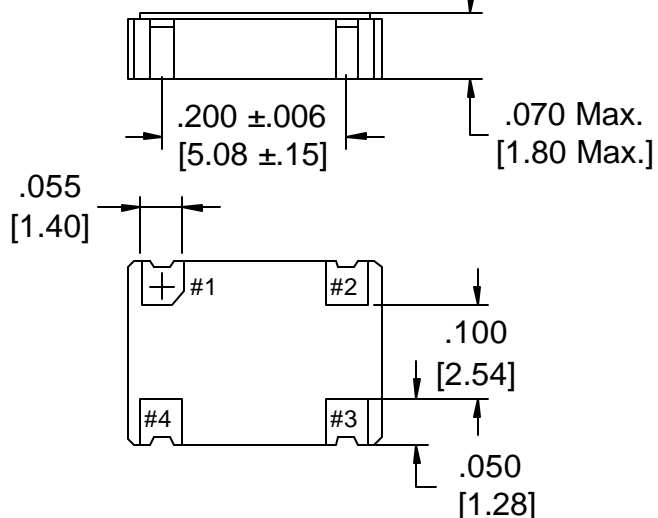
- Center Frequency: 85.000000 MHz
- Output: HCMOS
- Output Waveform: Symmetrical square wave
- Supply Voltage: +5.0Vdc \pm 10%
- Output Logic 1: 90%Vdd Minimum
- Output Logic 0: 10%Vdd Maximum
- Input Current Maximum(No Load): 45mA Maximum
- Enable/Disable:
 - Output Disabled(High Impedance): Pin 1 input \leq 0.8Vdc
 - Output Active: Pin 1 input \geq 2.0Vdc or open
- T-Rise, T-Fall: 5ns Maximum
- Duty Cycle: 40% to 60% Maximum
- Initial accuracy @ +23°C \pm 1°C: \pm 15ppm
- Aging: \pm 10ppm/year maximum
 - \pm 1.5ppm/30 days
 - \pm 3.0ppm/90 days
- Frequency Stability over Temperature Range: \pm 50ppm
- Operating Temperature Range: -55°C to +125°C
- Storage Temperature Range: -62°C to +125°C

The information contained in this drawing is the sole property of Precision Devices Inc. Any reproduction in part or as a whole without the written permission of Precision Devices Inc. is prohibited.

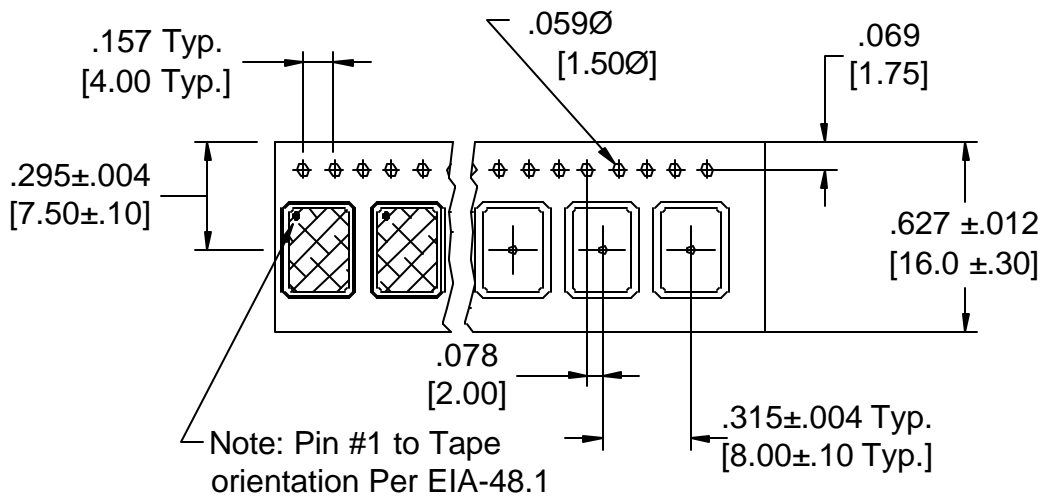
REV.	DATE	PAGE	DESCRIPTION	Auth.	ECN	Originator	Date	Engineering	Date
						J.L.	4/30/09	C.S.	4/30/09
						TITLE Ceramic Crystal Oscillator Assembly		FKA	65176Q
						PART NUMBER		OC7E8500XHSEX	
						DATE	SCALE	ECN	REV.
						4/30/09	N.T.S.		A
						SIZE	CAGE		Page 1 of 2
						A	0S4G1		



Recommended Land Pattern



PIN	Connection
1	Enable/Disable
2	Ground
3	Output
4	Vcc



Precision Devices Inc.

8840 N. Greenview Dr.
Middleton WI 53562
608-831-4445
1-800-274-XTAL

Manufacturer of Quartz Crystal Products

DECIMAL	DWG FILE	PART NUMBER	
XX=±.020 XXX=±.008	65176Q	OC7E85000XHSERX	
METRIC	SCALE	FREQUENCY	DRAWN BY
XX=±.50 XXX=±.20	N.T.S.	85.000000 MHz	J.Lawinger
ANGULAR	DRAWING TYPE	DATE	
XX=±2°	Ceramic Crystal Oscillator Assembly	4/30/09	
	REV. LEVEL	ECN NO.	CAGE CODE
	A		0S4G1