



Precision Devices, Inc.

8840 N. Greenview Dr.
Middleton, WI 53562
Phone: 608-831-4445
1-800-274-XTAL
Fax: 608-831-3343



Visit our web site at www.pdixtal.com

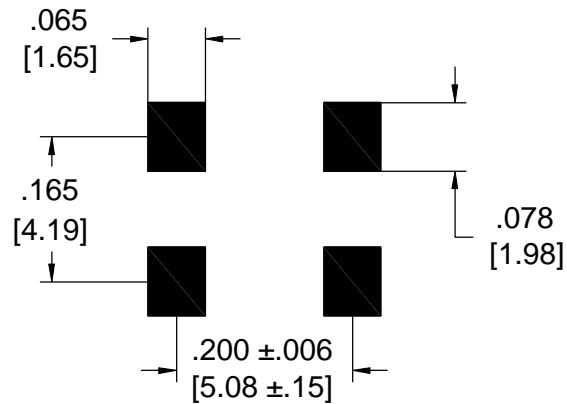
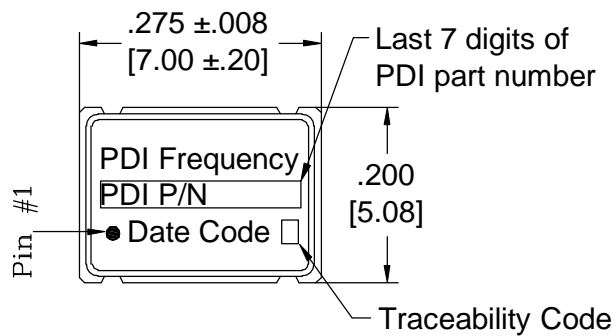
Sales Information sales@pdixtal.com

Electrical Specifications

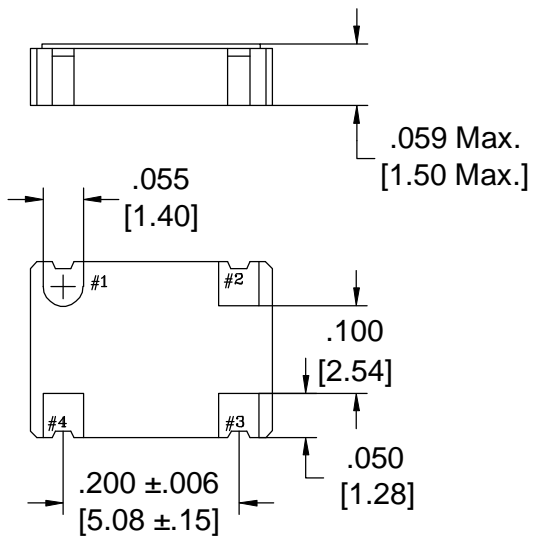
- Center Frequency: 32.768000MHz
- Output: TTL/CMOS
- Frequency Tolerance at +25°C: ±10ppm
- Operating Temperature Range: -5°C to +45°C
- Frequency Stability: ±10ppm
- Storage Temperature Range: -55°C to +125°C
- Duty Cycle: 45/55 % Max.
- T-Rise, T-Fall: 6.0nS Max., 2.0nS Typ.
- Supply Current: 10.0mA Typ., 50.0mA Max.
- Supply Voltage: +3.3Vdc ±10 %

The information contained in this drawing is the sole property of Precision Devices Inc. Any reproduction in part or as a whole without the written permission of Precision Devices Inc. is prohibited.

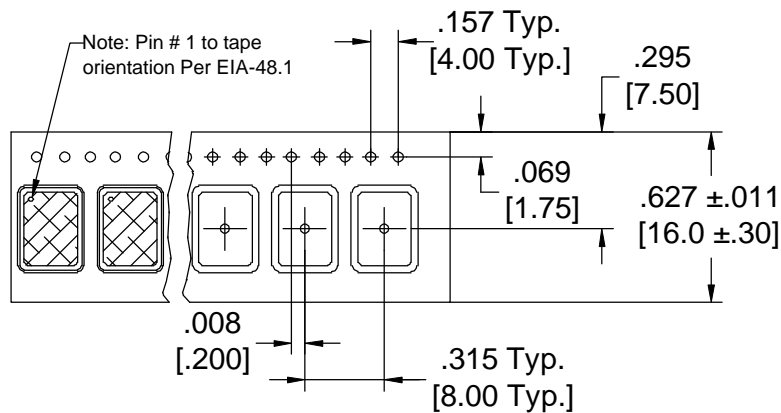
REV.	DATE	PAGE	DESCRIPTION	Auth.	ECN	Originator	Date	Engineering	Date
						J.R.B.	12/20/04	T.G.S.	12/20/04
						TITLE Ceramic Crystal Oscillator Assembly		FKA 4476R	
						PART NUMBER OC7E32768XCASRX			
						DATE 12/20/04	SCALE N.T.S.	ECN. N/A	REV. N/A
						SIZE A	CAGE OS4G1		Page 1 of 2



Recommended Land Pattern



PIN	CONNECTION
1	Enable/Disable
2	Ground
3	Output
4	Vcc



Precision Devices Inc.

8840 N. Greenview Dr.
Middleton WI 53562
608-831-4445
1-800-274-XTAL



Manufacturer of Quartz Crystal Products

DECIMAL	DWG FILE	PART NUMBER	
XX±.020 XXX±.008	4476R	OC7E32768XCASRX	
METRIC	SCALE	FREQUENCY	DRAWN BY
XX±.50 XXX±.20	N.T.S.	32.768000MHz	J. Bender
ANGULAR	DRAWING TYPE	DATE	
XX±2°	Ceramic Crystal Oscillator Assembly	12/20/04	
	REV. LEVEL	ECN NO.	CAGE CODE
	N/A	N/A	OS4G1