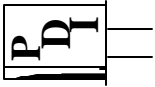
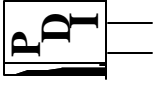


# Precision Devices, Inc.



8840 N. Greenview Dr.  
 Middleton, WI 53562  
 Phone: 608-831-4445  
 1-800-274-XTAL  
 Fax: 608-831-3343



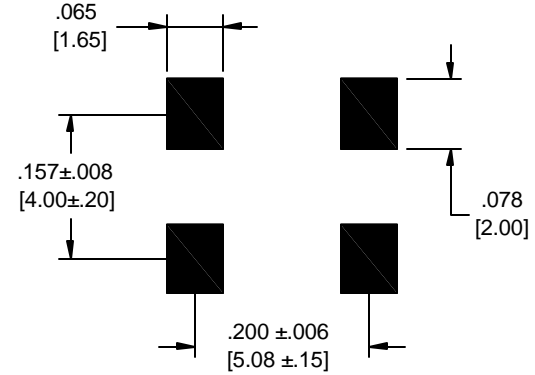
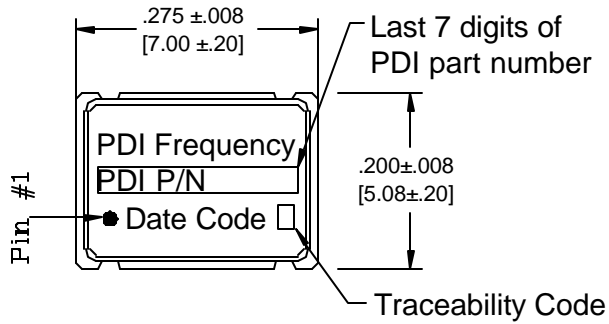
Visit our web site at [www.pdixtal.com](http://www.pdixtal.com)

Sales Information [sales@pdixtal.com](mailto:sales@pdixtal.com)

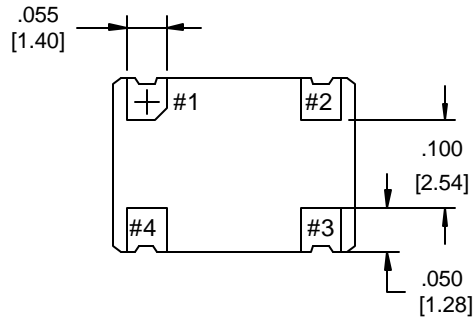
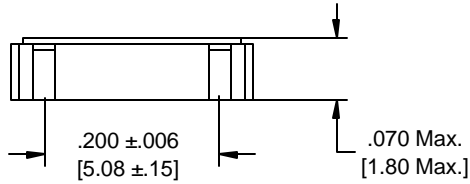
## Electrical Specifications

1. Center Frequency: 8.218000 MHz
2. Output: CMOS
3. Operating Temperature: -55°C to +125°C
4. Storage Temperature: -55°C to +125°C
5. Output Load: 50pF
6. Output Voltage: Low: 0.5Vdc Maximum  
 High: 2.4Vdc Minimum
7. Rise/Fall Times: 10nS Maximum
8. Duty Cycle @1.4V: 45/55% Maximum
9. Supply Voltage: +5.0Vdc±10%
10. Supply Current: 15mA Maximum
11. Change Over Temperature: ±50ppm Maximum
12. Frequency Tolerance @25°C: ±15ppm Maximum
13. Start-up Time: 10mS Maximum
14. Frequency Aging: ±3ppm/1 year Maximum  
 ±2ppm/after first year Maximum

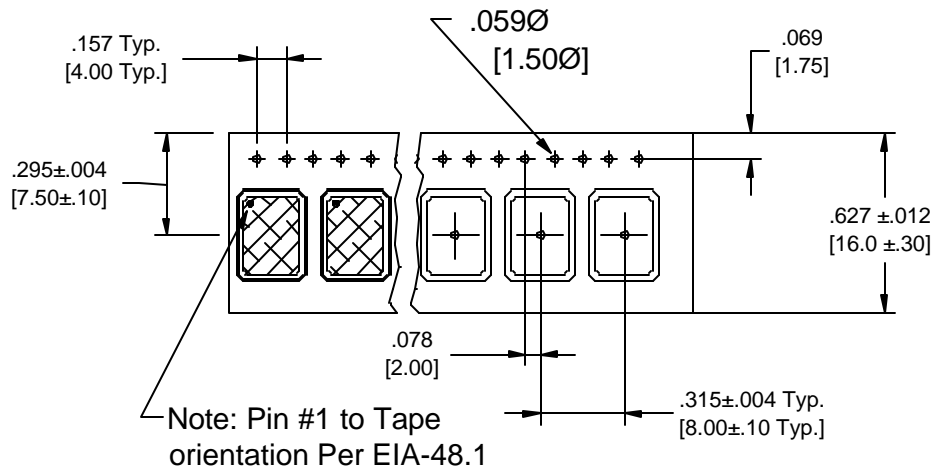
REV.	DATE	PAGE	DESCRIPTION	Auth.	ECN
<b>FOR PRELIMINARY USE ONLY</b> Specifications subject to change without notice.					
TITLE				FKA	
Ceramic Oscillator Assembly				65551R	
PART NUMBER <b>OC7E08218XCSEX</b>					
DATE	SCALE	ECN.	REV.		
1/28/10	N.T.S.	N/A	N/A		
SIZE	CAGE	Page 1 of 2			
A	0S4G1				



Recommended Land Pattern



PIN	Connection
1	Enable/Disable
2	Ground
3	Output
4	Vcc



# Precision Devices Inc.

8840 N. Greenview Dr.  
Middleton WI 53562  
608-831-4445  
1-800-274-XTAL



Manufacturer of Quartz Crystal Products

DECIMAL	DWG FILE	PART NUMBER	
XX=±.020 XXX=±.008	65551R	<b>OC7E08218XC SERX</b>	
METRIC	SCALE	FREQUENCY	DRAWN BY
XX=±.50 XXX=±.20	N.T.S.	8.218000 MHz	J.Lawinger
ANGULAR	DRAWING TYPE		DATE
XX=±2°	Ceramic Oscillator Assembly		1/28/10
	REV. LEVEL	ECN NO.	CAGE CODE
	N/A	N/A	0S4G1