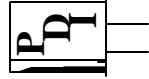
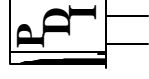


Precision Devices, Inc.



8840 N. Greenview Dr.
Middleton, WI 53562
Phone: 608-831-4445
1-800-274-XTAL
Fax: 608-831-3343



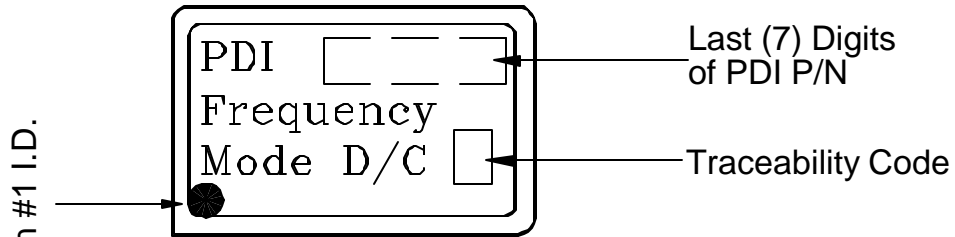
Visit our web site at www.pdixtal.com

Sales Information sales@pdixtal.com

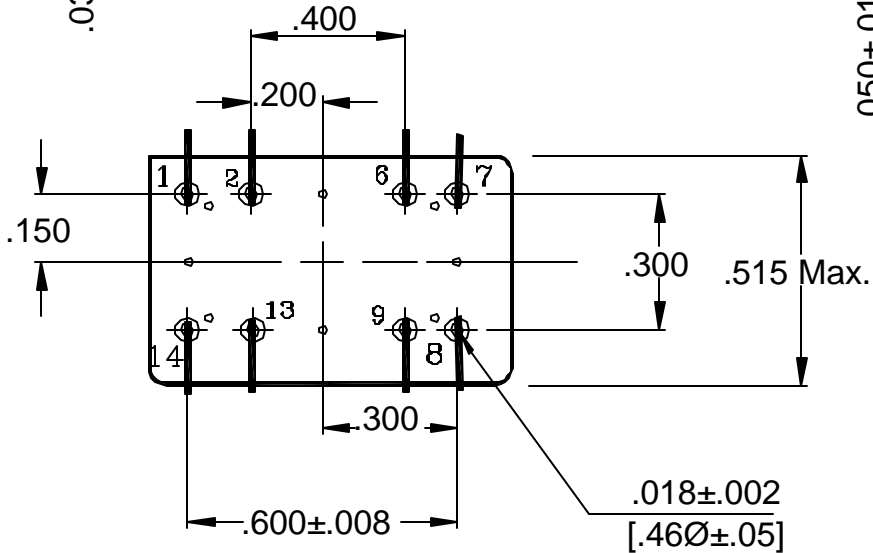
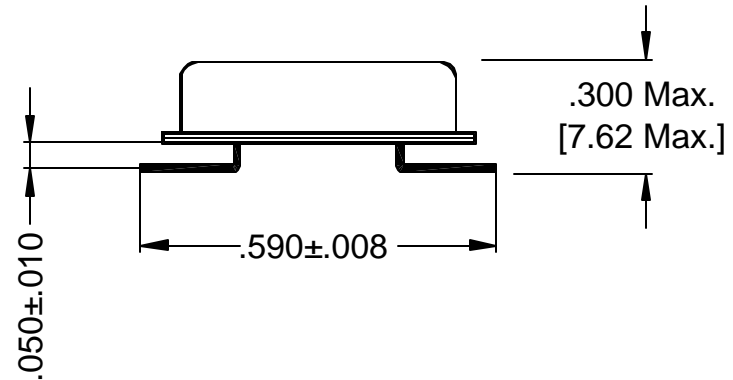
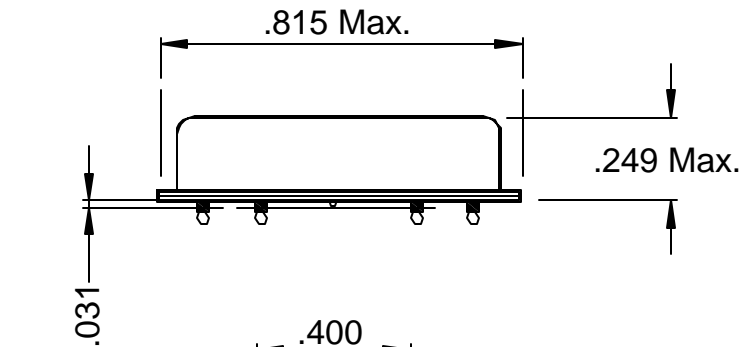
Electrical Specifications

1. Frequency: 525.000000MHz
2. Frequency Stability: ± 50.0 ppm max. (All Causes)
3. Operating Temperature Range: 0°C to +70°C
Storage Temperature Range: -40°C to +85°C
5. Supply Voltage: +3.3Vdc $\pm 10\%$
6. Supply Current: 120.0mA Max.
7. Output Characteristics:
Waveform: PECL 100K Complementary Output
Logic Levels: Low<+1.70V, High>+2.4V
Rise/Fall Times: 600.0ps Maximum
Jitter: 3.0ps Maximum
Tri-State: Negative Enable
Load: 50 Ohms
8. Duty Cycle: 48/52% Max.

REV.	DATE	PAGE	DESCRIPTION	Auth.	ECN	Originator	Date	Engineering	Date
						D.B.	7/3/06	M.B.	7/3/06
						TITLE 14-Pin Gullwinged Oscillator		FKA 4995G	
						PART NUMBER O14SC52500ECAGX			
B	7/06	1,2	Added .249 Height Specification to oscillator package	D.G.	EO712	DATE 7/3/06	SCALE N.T.S.	ECN. EO712	REV. B
A	4/06	1,2	Added Height Specification to oscillator package	D.G.	EO700	SIZE A	CAGE OS4G1		Page 1 of 2



Pin	Connection
1	Vcc
7	Output
8	Output
14	Enable/Disable
2,6 9,13	Case Ground



Precision Devices Inc.

8840 N. Greenview Dr.
Middleton WI 53562
608-831-4445
1-800-274-XTAL



Manufacturer of Quartz Crystal Products

DECIMAL XX=±.020 XXX=±.008	DWG FILE 4995G	PART NUMBER O14SC52500ECAGX	
METRIC XX=±.50 XXX=±.20	SCALE N.T.S.	FREQUENCY 525.00 Mhz	DRAWN BY D. Gibney
ANGULAR XX=±2°	REV. LEVEL B	ECN NO. E0712	DATE 7/3/06
		CAGE CODE OS4G1	Page 2 of 2