

受 控

SPECIFICATION

1. SCOPE

This specification is applied to the piezo-element.

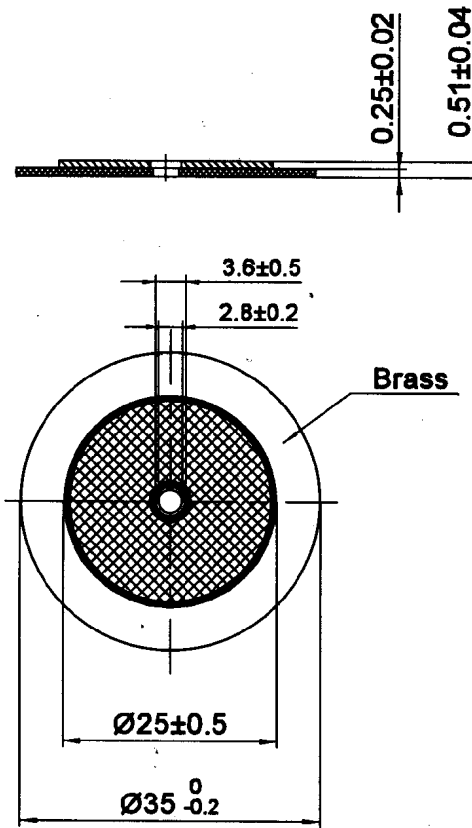
2. SPECIFICATION

(at 25°C)

- 2.1 Resonant Frequency : 2.6±0.3 KHz
- 2.2 Resonant Resistance : 200 Ωmax
- 2.3 Capacitance : 30000 pF±30% at 100Hz
- 2.4 Input Voltage : 70Vp-p max
- 2.5 Insulation resistance: ≥100MΩ (at 25VD.C)
- 2.6 Operating Temperature : -30~+85°C
- 2.7 Storage Temperature : -40~+95°C

3. DIMENSION

as per figure

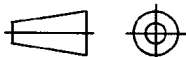


TOLERANCES UNLESS NOTED OTHERWISE

.X ±
.XX ±
.XXX ±

90° FORMED +2°
ANGLES -1°

FIRST ANGLE PROJECTION



DRAWN

DESIGN

CHECKED

APPROVED

DATE

CONTRACT NO.

AGENCY APPROVAL

15.11.10

KEPO MODEL NO.

MFT-35T-2.6AK

DWG NO.

KC3.001.347

Ningbo Kepo Electronics Co.,Ltd.

CUSTOMER

CUSTOMER NO.

VER

1.0

SCALE

UNIT

mm

SHEET

TEL:(+86)574-88370330

FAX:(+86)574-88370329