

Specification for Transducer		Page	2/10
Moel No. : KPT-G1410P10		Revision No.	1.0
		rawing No.	OEM2477R

## CONTENTS

1. Scope  
范围
2. General  
概要
3. Electrical an Acoustic Characteristics.  
电声参数
4. Reliability Test  
可靠性试验
5. Measurement Block iagram &Response curve  
测试图和曲线图
6. Structure  
结构
7. imensions  
尺寸
8. Packing  
包装
9. Revision  
履历表

Specification for Transducer	Page	3/10
	Revision No.	1.0
	rawing No.	OEM2477R
Moel No. : KPT-G1410P10		

## 1. Scope

This prouct specification is applie to the piezoelectric souner in alarm systems.Please contact us when using this prouct for any other applications than escribe in the above.

本规格书适用于压电式声响器，通常它用在系统中做报警或提示的声响器用，如果将该产品用于其它领域，请与我们联系。

## 2. General

2.1 Out-iameter : Ø14 mm

外径: Ø14 mm

2.2 Height : 7.5 mm

高度: 7.5 mm

2.3 Weight : 1.5 g

重量: 1.5克

2.4 Operating Temperature range:

-20~+80℃ without loss of function

工作温度: -20~+80℃

2.5 Store Temperature range:

-30~+100℃ without loss of function

储藏温度: -30~+100℃

## 3. Electrical an Acoustic Characteristics.

Test conition : 15 ~ 35 °C, 25% ~ 85% RH, 860~1060 mbar

测试条件: 15~35 °C, 25%~85%RH , 860~1060mbar

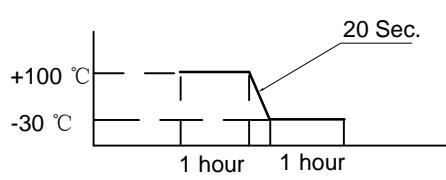
	Items 项目	Specification 规格
1	Rate Voltage 额定电压	12Vp-p Square Wave
2	Operating Voltage 工作电压	3-30Vp-p Square Wave
3	Max.Rate Current 额定电流	3mA at 4.0KHz/12Vp-p Square Wave
4	Resonant Frequency 谐振频率	4.0± 0.5KHz
5	Min.Soun Pressure Level 额定声压	80B at 4.0KHz/12Vp-p Square Wave/10cm
6	Capacitance at 100Hz 电容量 (at 100Hz)	10000pF ± 30%
7	Case Material/Color 壳体材质/颜色	PBT/BLACK

Specification for Transducer Moel No. : KPT-G1410P10	Page	4/10
	Revision No.	1.0
	rawing No.	OEM2477R

## 4. Reliability Test

After test(1~7item), the transucr S.P.L . iffERENCE shall be within  $\pm 10B$ , an the appearance not exist any change to be harmful to normal operation(e.g. cracks,rusts,amages an especially istortion).

在1-7项试验后，声响器的声压变化值在  $\pm 10B$ 之内，外观无变化（例如：开裂、生锈、损伤、变形等现象）。

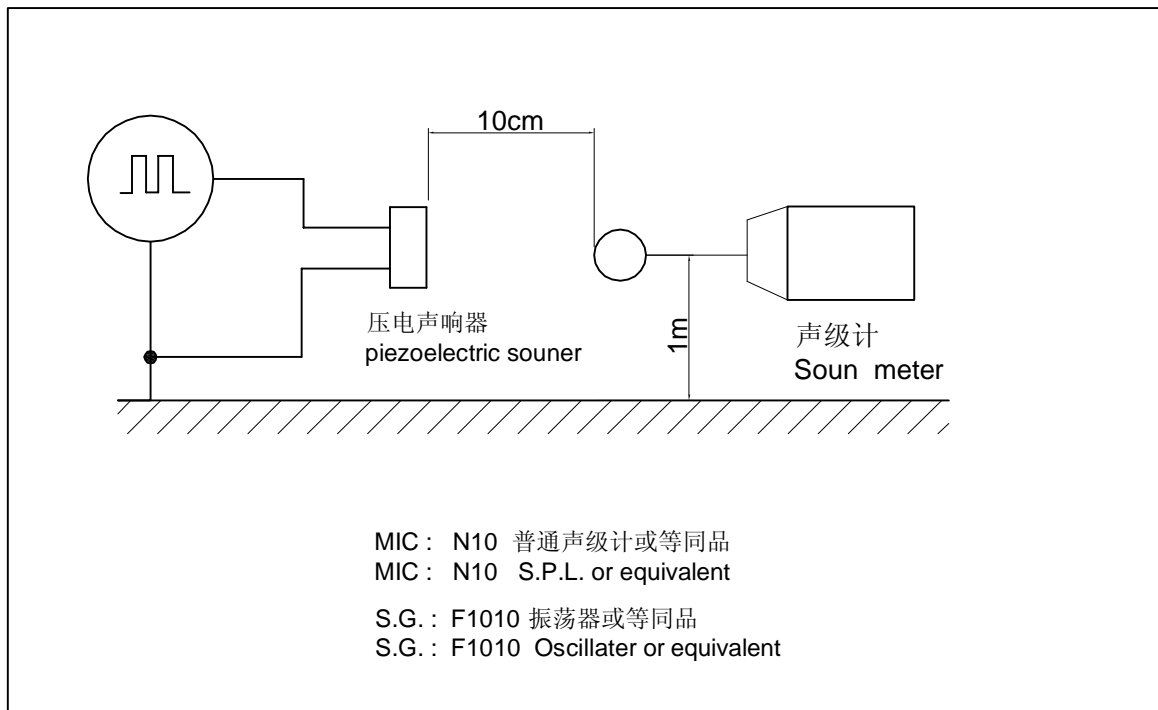
	Item	Specification
1	High Temperature Test 高温试验	<p>After being woke in a chamber with <math>+100\pm 2\text{ }^\circ\text{C}</math> for 2h an then being place in natural conition for 2h, souner shall be measure.</p> <p>将产品置于 <math>+100\pm 2\text{ }^\circ\text{C}</math> 试验箱中，先工作 2小时，然后在正常大气压条件下恢复2小时后，进行测量</p>
2	Low Temperature Test 低温试验	<p>First being worke in a chamber with <math>-30\pm 2\text{ }^\circ\text{C}</math> for 2h an then being place in a chamber with <math>-30\pm 2\text{ }^\circ\text{C}</math> for 16h, finally being place in natural contion for 2h, souner shall be measure.</p> <p>将产品置于 <math>-30\pm 2\text{ }^\circ\text{C}</math> 试验箱中，先工作 2小时，再放置16小时，然后在正常大气压条件下恢复2小时后，进行测量</p>
3	Humiity Test 潮湿试验	<p>After being place in a chamber with 90 to 95%R.H. at <math>+40\pm 2\text{ }^\circ\text{C}</math> for 2 h an then being place in natural conition for 2h , souner shall be measure.</p> <p>将产品置于湿度为 90~95%R.H，温度为<math>40\pm 2\text{ }^\circ\text{C}</math>试验箱中 2小时，然后在正常大气压条件下恢复2小时后，进行测量</p>
4	Thermal Shock Test 热冲击试验	<p>After being worke in a chamber at <math>+100\text{ }^\circ\text{C}</math> for 1 hour, then souner shall be place in a chamber at <math>-30\text{ }^\circ\text{C}</math> for 1 hour(1 cycle is the below iagram).</p> <p>After 6 above cycles, souner shall be measure after being place in natural conition for 1 hour.</p> <p>将产品置于<math>100\pm 2\text{ }^\circ\text{C}</math>试验箱中，先工作1小时，然后将产品置于<math>-30\pm 2\text{ }^\circ\text{C}</math>试验箱中，再工作1小时，经过6个循环后，在正常大气压条件下恢复1小时，进行测量</p> 

Moel No. : KPT-G1410P10	Specification for Transducer	Page	5/10
		Revision No.	1.0
		rawing No.	OEM2477R

#### 4. Reliability Test

	Item	Specification
5	Vibration Resistance 振动试验	Souner shall be measure after being applie vibration of ampltue of 1.5mm with 10 to30Hz ban of vibration frequency to each of 3 perpenicular irections for 2 hour. 振幅为1.5mm，频率为10~30Hz，三个不同轴方向各振动2小时，试验后进行测量。
6	rop Test 跌落试验	Souner packe in the carton are roppe in six irection from the height of 80cm to the concrete floor. 跌落高度80cm,6个不同方向整箱跌落到水泥地，试验后进行测量。
7	Solerability 可焊性试验	Lea terminals are immerse in rosin for 5 secons an then immerse in soler bath of $+260\pm 5^{\circ}\text{C}$ for $3\pm 0.5$ secons. 插针浸入松香5秒，然后再浸入 $+260\pm 5^{\circ}\text{C}$ 的锡炉中 $3\pm 0.5$ 秒，插针表面应覆盖一层光滑明亮的焊料。
8	Terminal Strength Pulling 插针强度试验	The force 10 secons of 9.8N is applie go each terminal in axial irection. 插针应承受9.8N拉力，拉力时间10秒，插针无松动和脱落等现象。

#### 5. Measurement Block iagram & Response curve



Moel No. : KPT-G1410P10

Revision No.

1.0

rawing No.

OEM2477R

09/07/2006 14:50

CRY6125F 蜂鸣器测试仪 V86

无框 滤波器无

型号:

Fc= 4000 Hz 092.09 dB

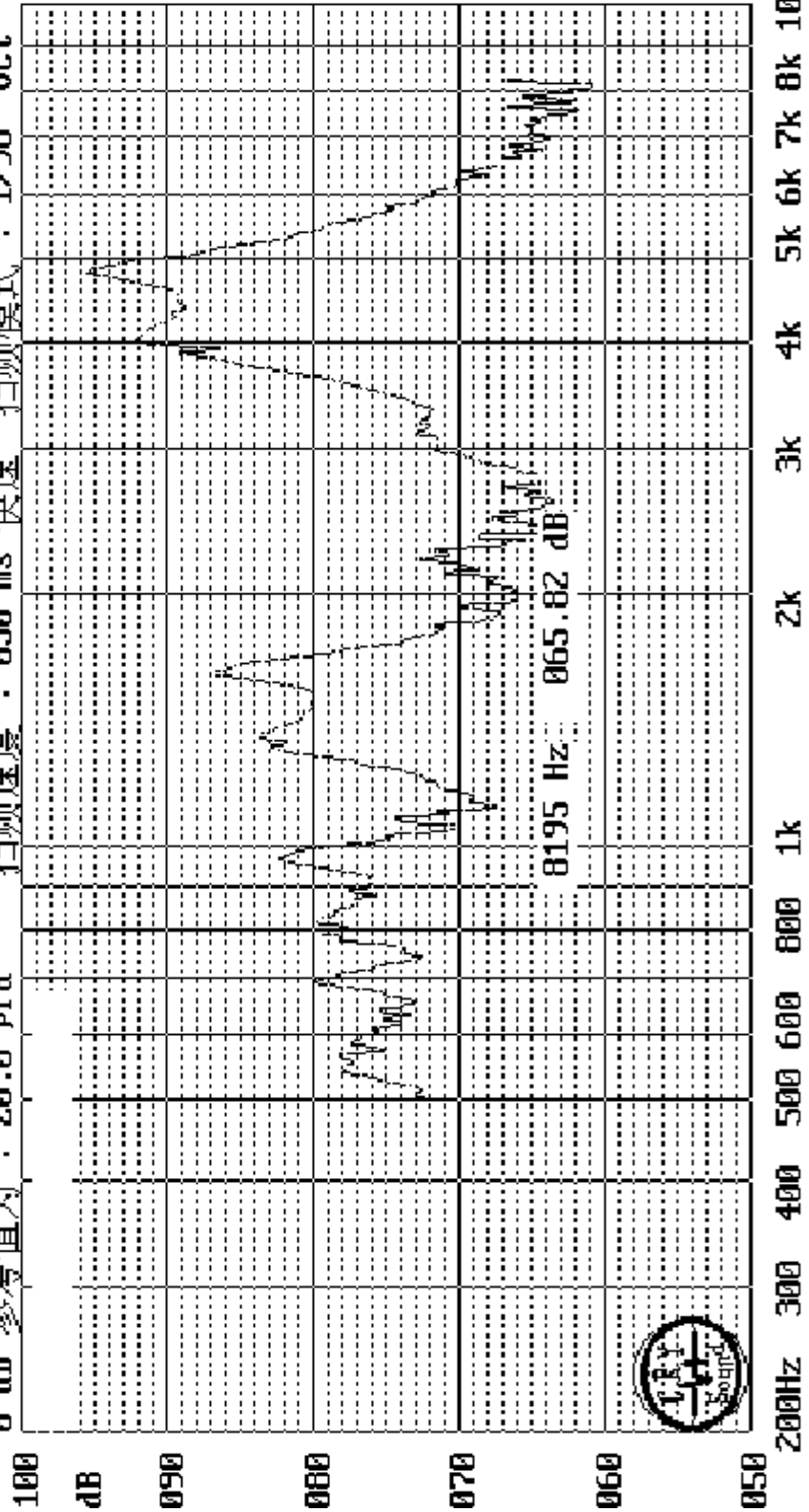
方波

电压:1500 mV

Fo= 4811 Hz 095.54 dB

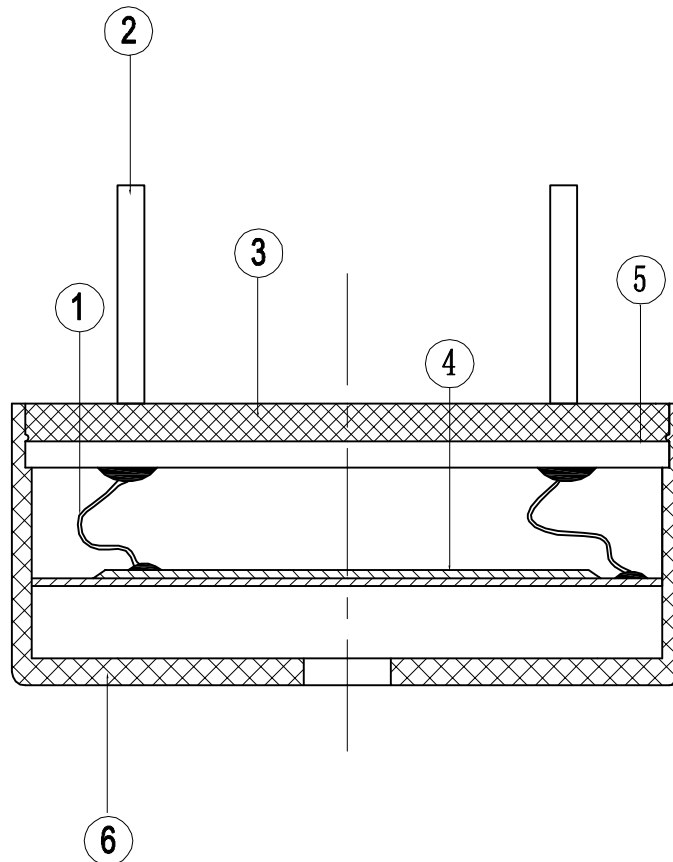
0 dB 参考值为: 20.0  $\mu$ Pa

扫描速度: 030 ms 快速 扫描模式: 1/96 Oct



Specification for Transducer	Page	7/10
	Revision No.	1.0
	rawing No.	OEM2477R
Moel No. : KPT-G1410P10		

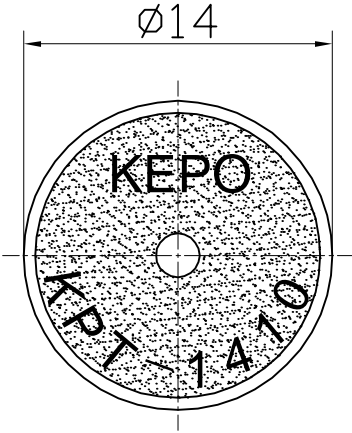
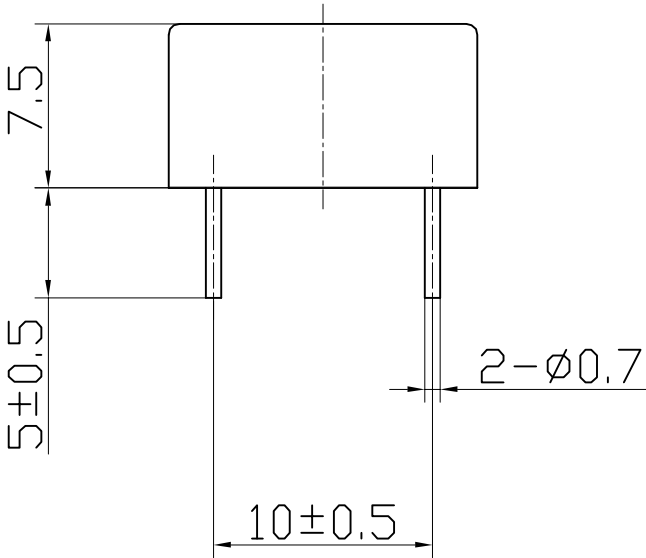
## 6. Structure



6	Case 壳体	1	PBT	
5	PCB 印制板	1		
4	Element 蜂鸣片	1	pbo-TiO <sub>2</sub> ZrO <sub>2</sub>	
3	epoxy Resin 环氧	1		
2	Pin 插针	2	Gu	
1	Wire 引线	2		
No.	Part Name 型号	Q'TY	Material 材质	Remark 备注

Specification for Transducer	Page	8/10
	Revision No.	1.0
Moel No. : KPT-G1410P10	rawing No.	OEM2477R

7. imensions

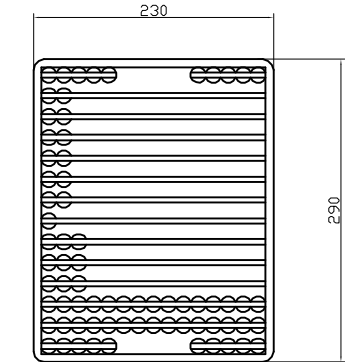


FIRST ANGLE PROJECTION

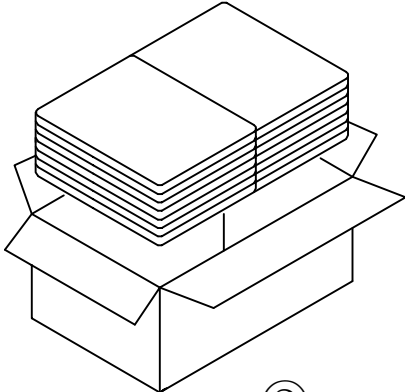
UNIT : mm  
Tolerance : ±0.5

Specification for Transducer	Page	9/10
	Revision No.	1.0
Moel No. : KPT-G1410P10	rawing No.	OEM2477R

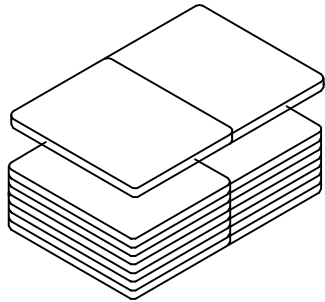
### 8. Packing



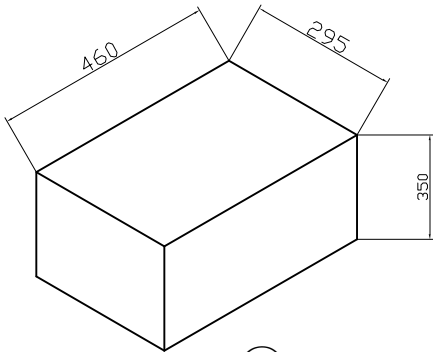
① 200Pcs



③



②



④

QTY: 5000Pcs  
460 x295 x350 mm



