

SPECIFICATION

Customer : Sharp Microwave oven

Applied To :

Product Name : Piezo Transducer

Model Name : KPT-1420A

Drawing No. : OEM2103

RoHS Compliance

Signature of Approval

--

Signature of KEPO

Approved by	Checked by	Issued by	Date



ISO9001 Certificate

Ningbo Kepo Electronics Co.,Ltd.

TEL:+86-574-88370330 FAX:+86-574-88370329

No.25 Baoyuan road Dongqian Lake, Industry Area, Dongqian town, Ningbo City, China(Post Code:315121)

Sales@chinaacoustic.com

www.chinaacoustic.com

Specification for Transducer	Page	2/10
Model No. : KPT-1420A	Revision No.	1.2
	Drawing No.	OEM2103SPE

CONTENTS

1. Scope
2. General
3. Electrical and Acoustic Characteristics.
4. Reliability Test
5. Measurement Block Diagram & Response curve
6. Dimensions
7. Packing
8. Revision

Specification for Transducer		Page	3/10
		Revision No.	1.2
Model No. :	KPT-1420A	Drawing No.	OEM2103SPE

1. Scope

This product specification is applied to the piezoelectric sounder in alarm systems. Please contact us when using this product for any other applications than described in the above.

2. General

- 2.1 Out-Diameter : Ø14.2 mm
- 2.2 Height : 11 mm
- 2.3 Weight : 2 g
- 2.4 Operating Temperature range:
-20~+70°C without loss of function
- 2.5 Store Temperature range:
-30~+80°C without loss of function

3. Electrical and Acoustic Characteristics.

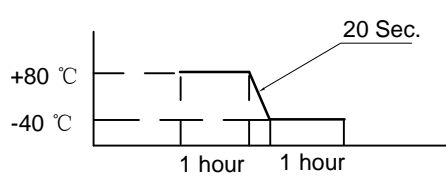
Test condition : 15 ~ 35 °C, 25% ~ 85% RH, 860~1060 mbar

	Items	Specification
1	Rated Voltage	5Vp-p Square Wave
2	Max.Allowable Voltage	30Vp-p Square Wave
3	Max.Rated Current	2mA at 2.0KHz/5Vp-p Square Wave
4	Resonant Frequency	2.0± 0.5KHz
5	Min.Sound Pressure Level	70dB at 2.0KHz/5Vp-p Square Wave/10cm
6	Capacitance at 100Hz	15000pF± 30%
7	Case Material/Color	PC/BLACK

Specification for Transducer		Page	4/10
		Revision No.	1.2
Model No. :	KPT-1420A	Drawing No.	OEM2103SPE

4. Reliability Test

After test(1~7item), the transducer S.P.L . difference shall be within $\pm 10\text{dB}$, and the appearance not exist any change to be harmful to normal operation(e.g. cracks,rusts,damages and especially distortion).

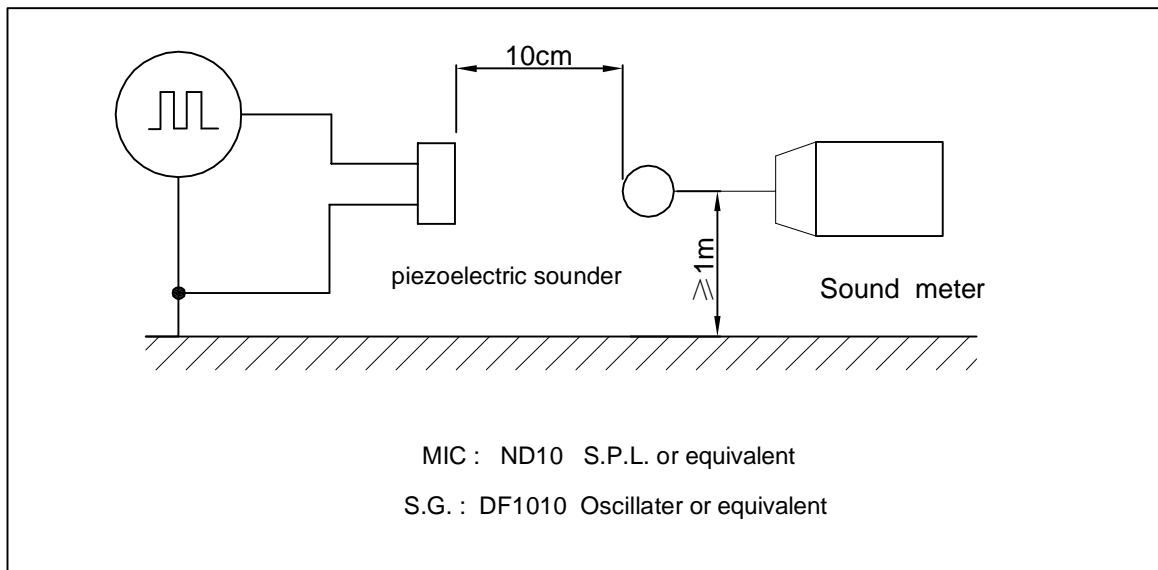
	Item	Specification
1	High Temperature Test	After being worked in a chamber with $+85\pm 2\text{ }^\circ\text{C}$ for 240h and then being placed in natural condition for 2h, sounder shall be measured.
2	Low Temperature Test	First being worked in a chamber with $-40\pm 2\text{ }^\circ\text{C}$ for 240h and then being placed in a chamber with $-40\pm 2\text{ }^\circ\text{C}$ for 16h, finally being placed in natural condition for 2h, sounder shall be measured.
3	Humidity Test	After being placed in a chamber with 90 to 95%R.H. at $+60\pm 2\text{ }^\circ\text{C}$ for 2 h and then being placed in natural condition for 240h , sounder shall be measured.
4	Thermal Shock Test	<p>After being worked in a chamber at $+80\pm 2\text{ }^\circ\text{C}$ for 1 hour, then sounder shall be placed in a chamber at $-40\pm 2\text{ }^\circ\text{C}$ for 1 hour(1 cycle is the below diagram).</p> <p>After 10 above cycles, sounder shall be measured after being placed in natural condition for 1 hour.</p> 

Specification for Transducer		Page	5/10
Model No. : KPT-1420A		Revision No.	1.2
		Drawing No.	OEM2103SPE

4. Reliability Test

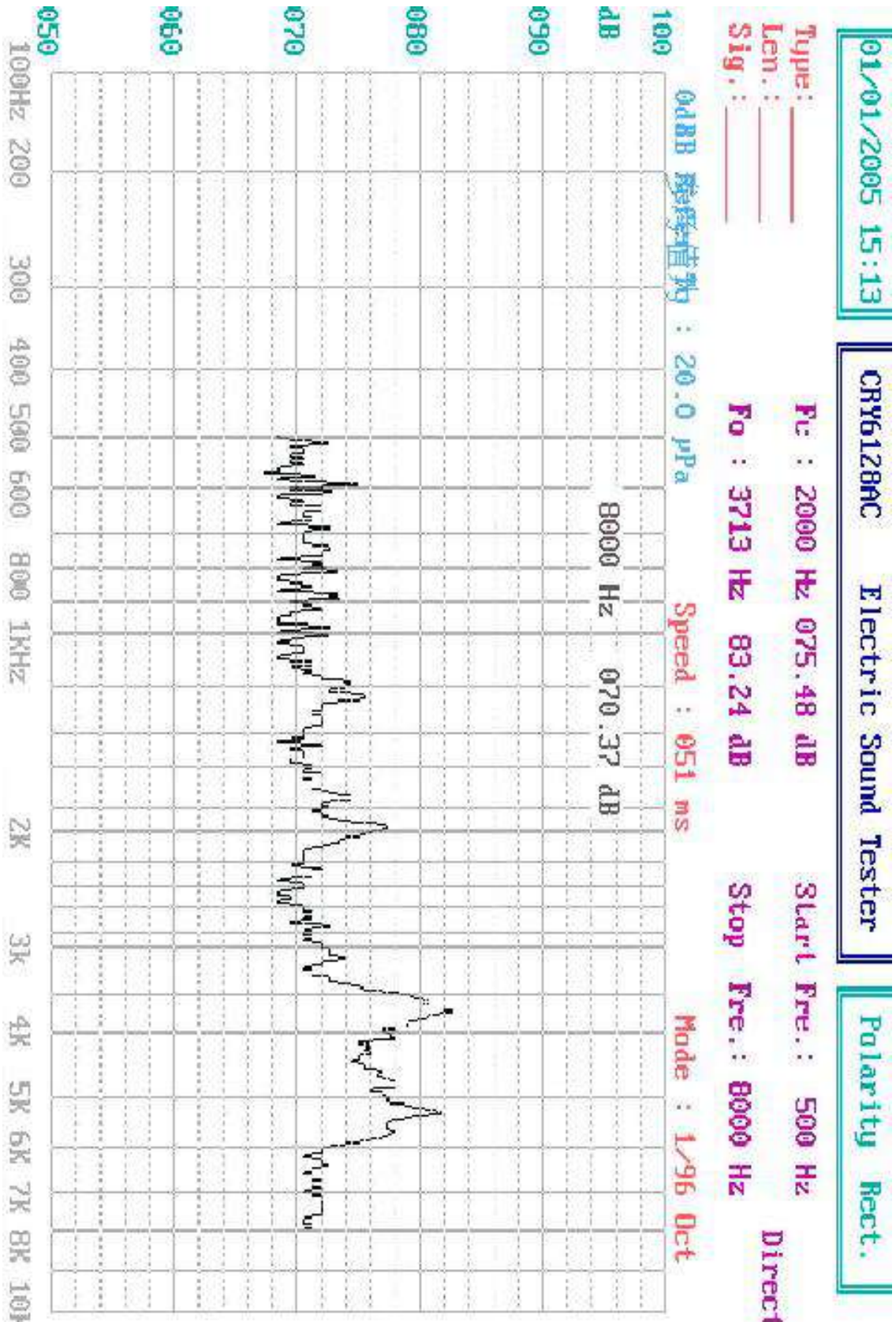
	Item	Specification
5	Vibration Resistance	Sounder shall be measured after being applied vibration of amplitude of 1.5mm with 10 to 30Hz band of vibration frequency to each of 3 perpendicular directions for 2 hour.
6	Drop Test	Sounder packed in the carton are dropped in six direction from the height of 80cm to the concrete floor.
7	Solderability	Lead terminals are immersed in rosin for 5 seconds and the immersed in solder bath of $+260 \pm 5^\circ \text{C}$ for 3 ± 0.5 seconds.
8	Terminal Strength Pulling	The force 10 seconds of 9.8N is applied to each terminal in axial direction.
9	Run continuously test	Run continuously for 240 hours with input signal 20Vp-p, 4KHz Square wave, sounder shall be measured after being placed in natural condition for 4 hours.

5. Measurement Block Diagram & Response curve



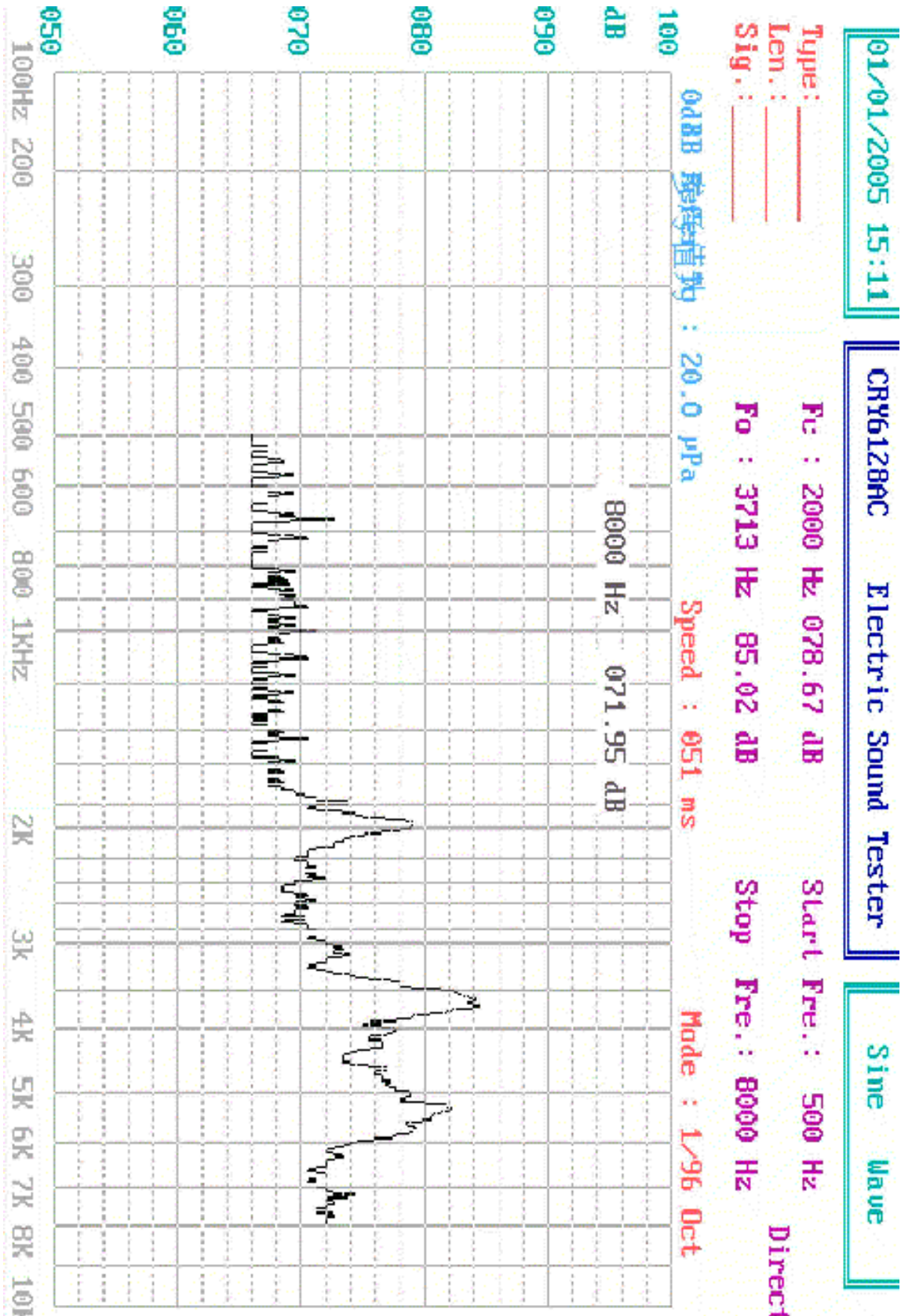
Specification for Transducer	Page	6/10
	Revision No.	1.2
Model No. : KPT-1420A	Drawing No.	OEM2103SPE

1 Vrms Sine Wave/10cm



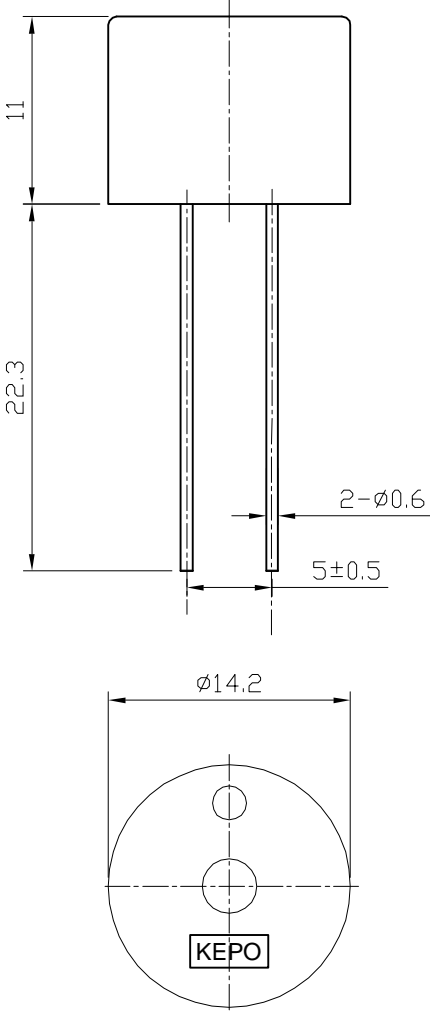
Specification for Transducer	Page	7/10
	Revision No.	1.2
	Drawing No.	OEM2103SPE
Model No. :	KPT-1420A	

3 Vp-p Square Wave/10cm



Specification for Transducer	Page	8/10
	Revision No.	1.2
Model No. : KPT-1420A	Drawing No.	OEM2103SPE

7. Dimensions

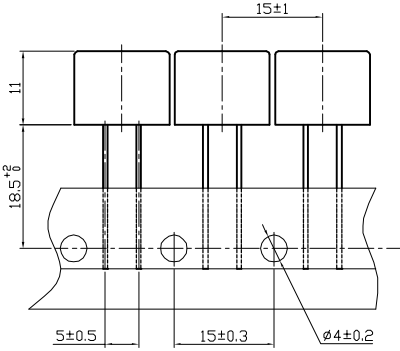


FIRST ANGLE PROJECTION

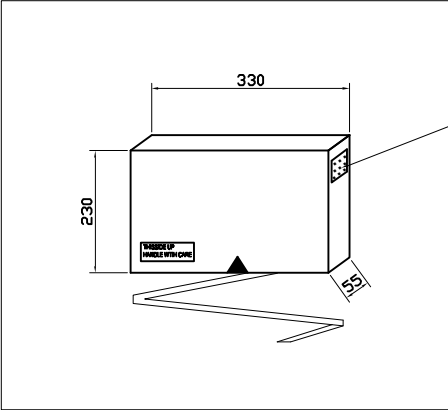
UNIT : mm
Tolerance : ±0.5

Specification for Transducer	Page	9/10
	Revision No.	1.2
Model No. : KPT-1420A	Drawing No.	OEM2103SPE

8. Packing



Eligibility Certificate		42
Company Name: NingBo KEPO Electronics co.,LTD		
P/N: RALMBA008DRZZ QTY: 350PCS		
Production Date:	Inspector:	
Shipment Date:		
Lot Number:		
ROHS Compliance		
76		



Lable

QTY: 350Pcs
 SIZE:330x55x230mm

Specification for Transducer		Page	10/10
Model No. : KPT-1420A		Revision No.	1.2
		Drawing No.	OEM2103SPE

9. Revision

Rev. No.	DATE	PAGE	DESCRIPTION	SIGN
1.0	2006.09.20	/	primary	
1.1	2007.02.14	8	Change PIN	
1.2	2007.04.27	8	Change PIN	