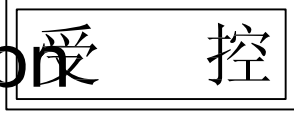
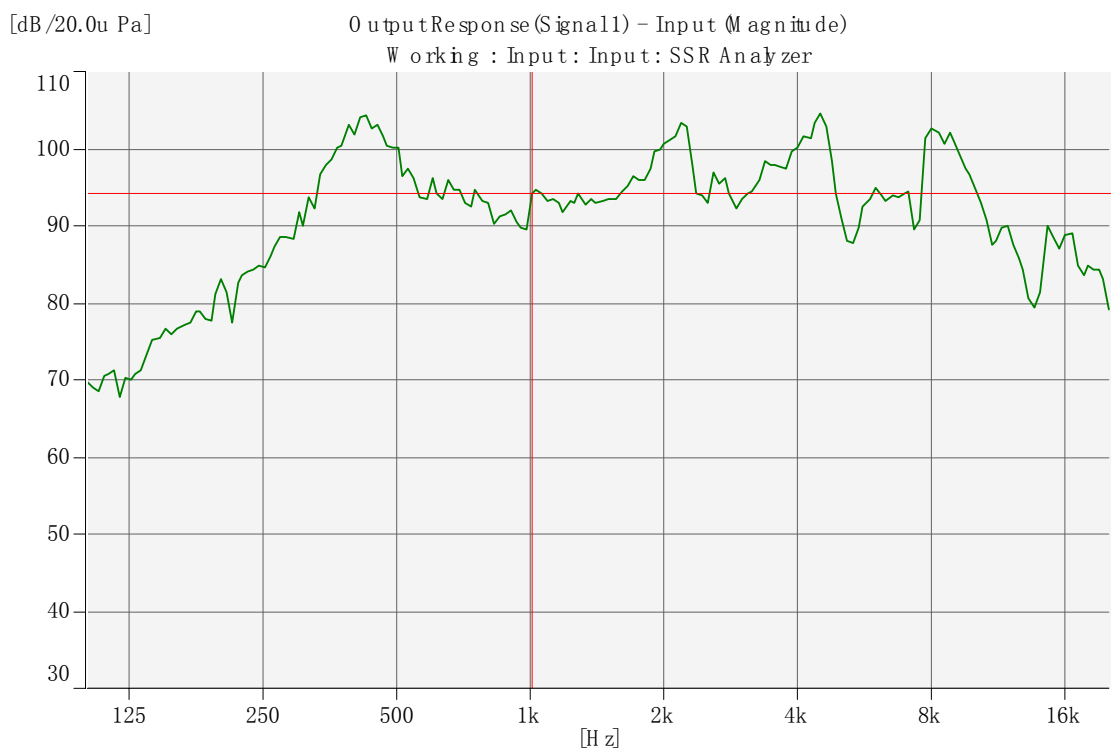


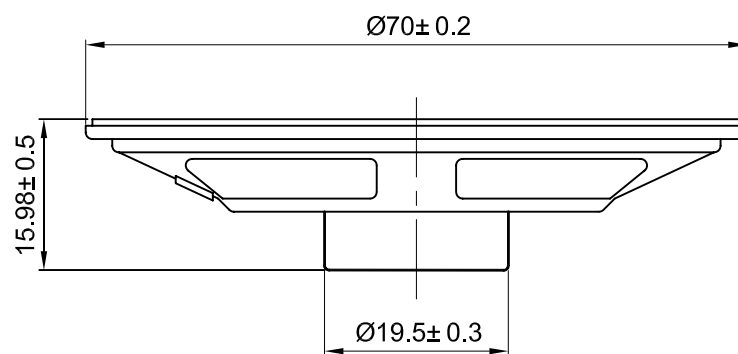
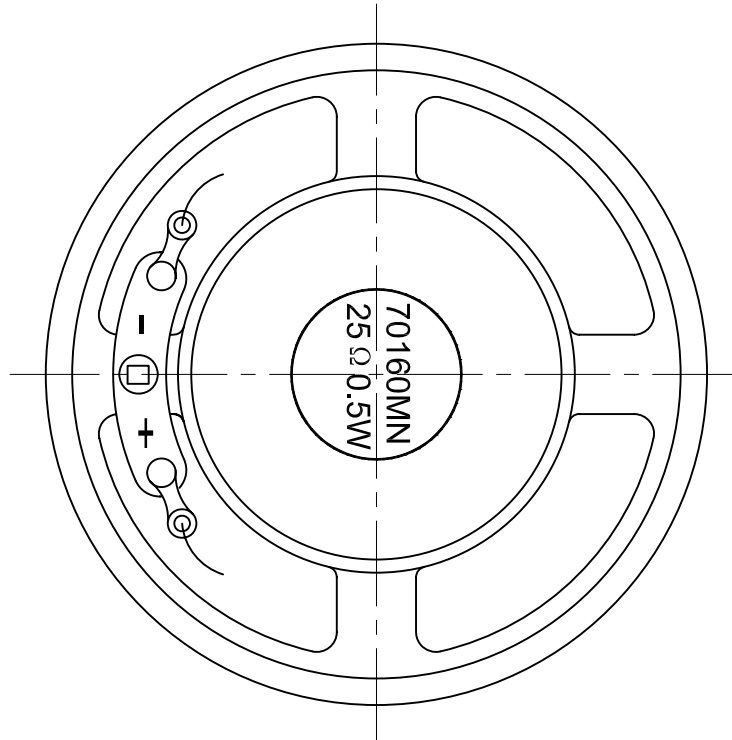
# Speaker Specification



| Customer's Model No. |                   | Customer  |                                     | QUARTZ-1 |                 |
|----------------------|-------------------|---|-------------------------------------|----------|-----------------|
| Kepo Model No.       |                   | KPSP70160MN-25/0.5A   | Size                                | Φ70mm    | No. KF3.001.511 |
| No.                  | Item              | Specification   | Test Condition                      |          |                 |
| 1                    | Impedance         | 25Ω ± 15  | at 800Hz                            |          |                 |
| 2                    | Resonant Fr. (fo) | 450Hz± 20%  |                                     |          |                 |
| 3                    | Frequency Range   | F0-8KHz   |                                     |          |                 |
| 4                    | Rated Power       | 0.5W  |                                     |          |                 |
| 5                    | Max Power         | 1W  |                                     |          |                 |
| 6                    | S.P.L.            | 92± 3dB   | 0.1w/0.1m at avg 0.8,1.0,1.2,1.5KHz |          |                 |
| 7                    | Distortion        | Max 5%  | at rated power 1.0kHz               |          |                 |
| 8                    | Sweep Test        | must be normal  | at sine wave 3.53V                  |          |                 |
| 9                    | Load Test         | after test meet item 8  | rated noise power, 24 Hrs.          |          |                 |
| 10                   | Heat Test         | after test meet item 8  | 50± 2℃ 5Hrs.                        |          |                 |
| 11                   | Cold Test         | after test meet item 8  | -20± 2℃ 5Hrs.                       |          |                 |
| 12                   | Humidity Test     | after test meet item 8  | 40± 2℃ ,90/95%R.H. 5Hrs.            |          |                 |
| 13                   | Weight            |   |                                     |          |                 |
| 14                   | Polarity Test     | When supplied plus D.C. voltage to (+) terminal, the cone must move to forward. |                                     |          |                 |
| 15                   | Note              |   |                                     |          |                 |



# Dimensions:



FIRST ANGLE PROJECTION

UNIT : mm  
Tolerance :  $\pm 0.2$