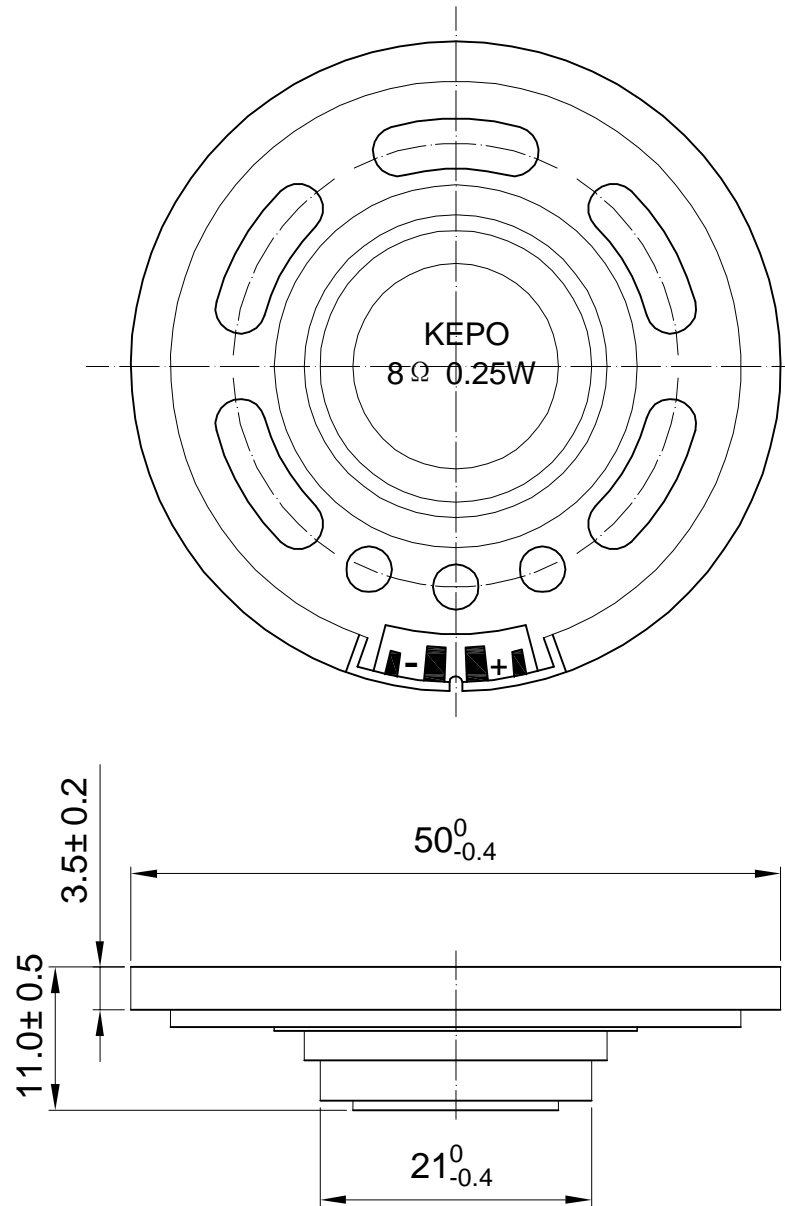


Speaker Specification

Customer's Model No.			Customer	QUARTZ-1	
Kepo Model No.		KPSP50115PF-08/0.25F	Size	Φ 50mm	No. J22301
No.	Item	Specification	Test Condition		
1	Impedance	$8\Omega \pm 15\%$	at 800Hz		
2	Resonant Fr. (f_0)	400Hz \pm 20%			
3	Frequency Range	F0-5.0KHz			
4	Rated Power	0.25W			
5	Max Power	0.3W			
6	S.P.L.	87 \pm 3dB	1W / 1M at AVG 0.8 , 1.0,1.2,1.5KHZ		
7	Distortion	Max 5%	at rated power 1.0kHz		
8	Sweep Test	must be normal	at sine wave 1.41V		
9	Load Test	after test meet item 8	rated noise power, 24 Hrs.		
10	Heat Test	after test meet item 8	50 \pm 2 $^{\circ}$ C 5Hrs.		
11	Cold Test	after test meet item 8	-20 \pm 2 $^{\circ}$ C 5Hrs.		
12	Humidity Test	after test meet item 8	40 \pm 2 $^{\circ}$ C ,90/95%R.H. 5Hrs.		
13	Packing	48X31X31cm/14kg /1000pcs EPS packing			
14	Polarity Test	When supplied plus D.C. voltage to (+) terminal, the cone must move to forward.			
15	Note				

Dimensions:



FIRST ANGLE PROJECTION

UNIT : mm
Tolerance : ± 0.2