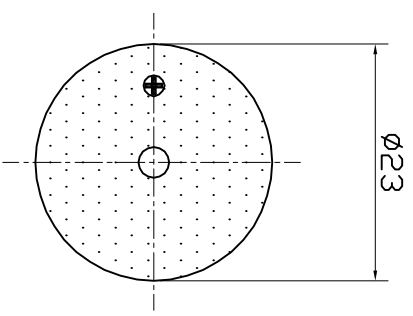


### Specifications

- 1. Rated Voltage.....24VDC
- 2. Operating Voltage.....20~28VDC
- 3. Max. Rated Current.....20mA/24VDC
- 4. Min. Sound Pressure Level.....88dB /24VDC/30cm
- 5. Resonant Frequency.....3.1±0.5KHz
- 6. Tone Nature.....Continuous
- 7. Case Material.....ABS
- 8. Operating Temperature.....-20~+80°C
- 9. Store Temperature.....-30~+100°C
- 10. Weight.....7g



Compliance With ROHS

**KEPO** NINGBO KEPO ELECTRONIC CO.,LTD  
<http://www.chinacoustic.com>

**Piezo Buzzer**  
**KP1-G2344(With KEPO)**

UNIT: mm DWGNO: KP3.840.116.10R

No.	DESCRIPTION	APPROVED	DATE

DESIGN ENGINEER	DRAWN	CHECKED	APPROVED

NOTED OTHERWISE	APPROVALS	DATE

SCALE	SHEET	VER.
06:1:10	NOT TO SCALE	1.0



FIRST ANGLE PROJECTION

A	1	2	3	4	5	6	7	8
B	1	2	3	4	5	6	7	8
C	1	2	3	4	5	6	7	8
D	1	2	3	4	5	6	7	8
E	1	2	3	4	5	6	7	8
F	1	2	3	4	5	6	7	8