

# 凯普电子

Ningbo Keep Improving Electronics Factory

Engineering laboratory Specification 制 品 规 格 书					
<b>产品型号 : KPI-2312</b>			<b>产品图号 : KP3.840.083</b>		
概述 Scop.	此确认书仅使用压电式蜂鸣器 This specification is only used for piezo buzzer				
编号 NO.	项目 Items	规格 Specifications			
1	额定电压 Rated Voltage	9VDC			
2	工作电压 Operating Voltage	7~12VDC			
3	额定电流 Max. Rated Current	15mA at 9VDC			
4	额定声压 Min. Sound Pressure Level	88dB at 9VDC/30cm			
5	谐振频率 Resonant Frequency	3.3 ± 0.5KHz			
6	音调 Tone Nature	Continuous			
7	塑壳材料 Case Material	PBT			
8	工作温度 Operating Temperature	-20~+80			
9	贮存温度 Store Temperature	-30~+100			
10	重量 Weight	8g			
备注 Note:					
设计 Designed By		查核 Checked		承认 Approved By	
日期 :		图号 :	<b>KP3.840.083G</b>		

1

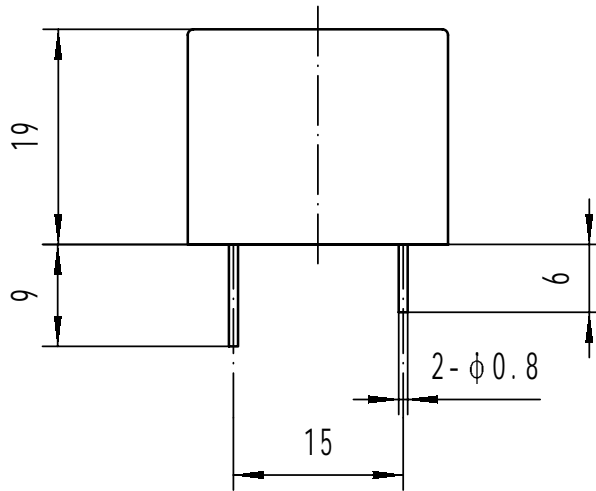
2

3

4

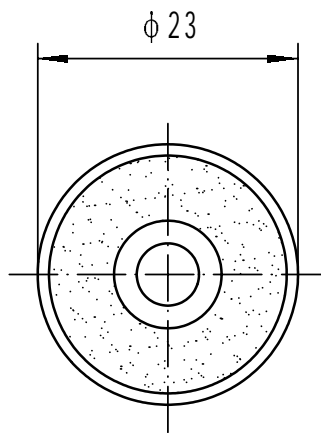
A

A



B

B



C

C

D

D

TOLERANCES UNLESS  
NOTED OTHERWISE

.X ±

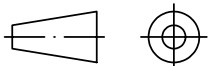
.XX ±

.XXX ±

90° FORMED +2°

ANGLES -1°

FIRST ANGLE PROJECTION



SIGN

DATE

KEPO MODEL NO.

CUSTOMER

DRAWN

02.06.20

KPI-2312

CUSTOMER NO.

DESIGN

CHECK

DWG NO.

APPROVED

KP3.840.083WX

REV

1.0

SHEET

CONTRACT NO.

UNIT:

SCALE

AGENCY APPROVAL

**KEPO CO. LTD.**

TEL: (+86)574-88370330

FAX: (+86)574-88370329

1

2

3

4