

SPECIFICATION

Customer :

Applied To :

Product Name : Receiver

Model Name : KPDR-150

Drawing No. : KF3.002.044

Signature of Approval

--

Signature of KEPO

Approved by	Checked by	Issued by	Date



Ningbo Kepo Electronics Co.,Ltd.

Address: No.1 Yuyuan Road Dongqian Lake, Ningbo315121, China

Tel: +86(574)88371186, 88370330 Fax: +86(574)88370329

http://www.chinaacoustic.com E-mail: Sales@chinaacoustic.com

Specification for Receiver	Page	2/9
Model No. : KPDR-150	Revision No.	1.0
	Drawing No.	kf3.002.044

CONTENTS

1. Scope
2. General
3. Electrical and Acoustic Characteristics.
4. Reliability Test
5. Measurement Block Diagram & Response curve
6. Structure
7. Dimensions
8. Packing
9. Revision

Specification for Receiver		Page	3/9
Model No. : KPDR-150		Revision No.	1.0
		Drawing No.	kf3.002.044

1. Scope

This specification is applied to the dynamic receiver which is used all of the electrical acoustic product.

- compact, rich sound
- applications: mobile phone, PDA, notebook computer, etc. ..

2. General

- 2.1 Out-Diameter : Ø 38 mm
- 2.2 Height : 21 mm
- 2.3 Weight : 37gr.
- 2.4 Operating Temperature range:
-20~+55°C without loss of function
- 2.5 Store Temperature range:
-25~+55°C without loss of function

3. Electrical and Acoustic Characteristics.

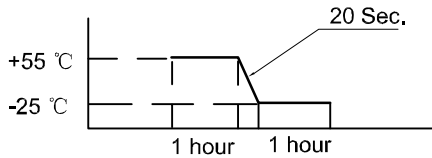
Test condition : 15 ~ 35 °C, 25% ~ 85% RH, 860~1060 mbar

	Items	Specification
1	Impedance	150 Ω ± 15%(at 1Vrms,1.5kHz)
2	Sound Pressure Level	97dB ± 3dB(1kHz/60mV)
3	Frequency Range	300 ~ 3400 Hz
4	Input Power	Rated 10mW / Max. 50mW
5	Buzz and Rattle	Should not be audible buzzes,rattles when the 10mW sine wave signal swept at frequency range.

Specification for Receiver		Page	4/9
Model No. : KPDR-150		Revision No.	1.0
		Drawing No.	kf3.002.044

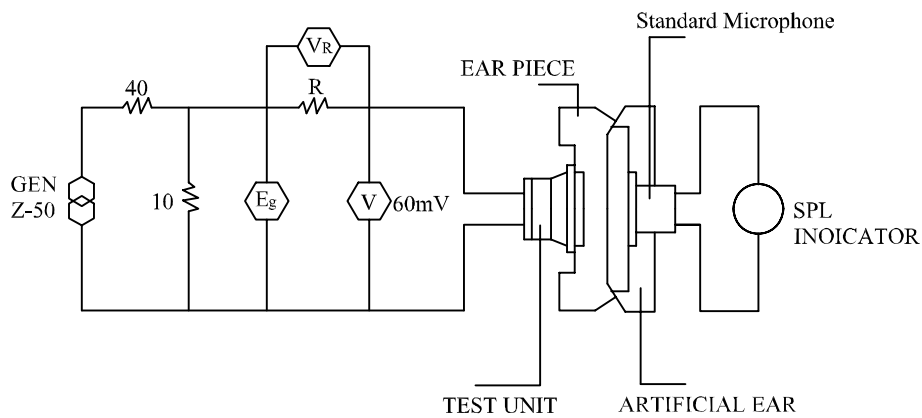
4. Reliability Test

After test(1~7item), the receiver S.P.L . difference shall be within $\pm 3\text{dB}$, and the appearance not exist any change to be harmful to normal operation(e.g. cracks,rusts,damages and especially distortion).

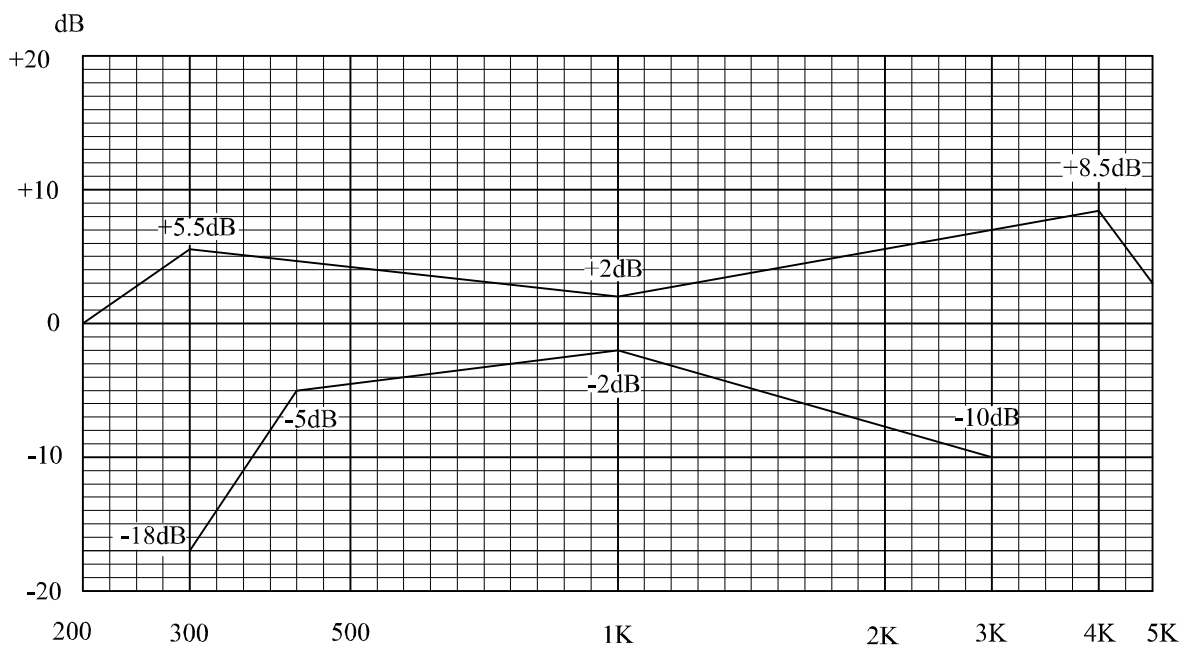
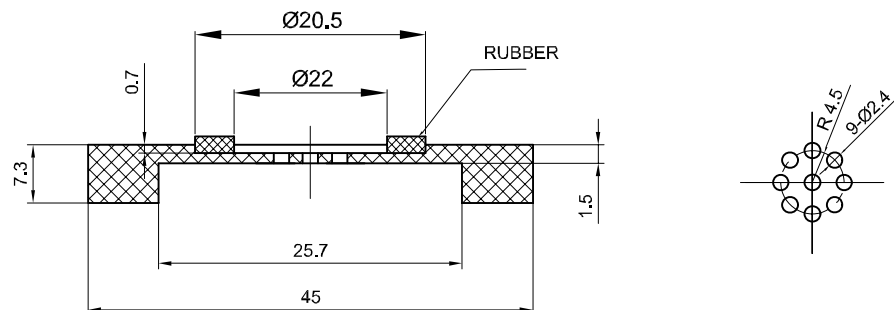
	Item	Specification
1	High Temperature Test	After being placed in a chamber with $+55\pm 3\text{ }^{\circ}\text{C}$ for 48 hours and then being placed in natural condition for 1 hour, receiver shall be measured.
2	Low Temperature Test	After being placed in a chamber with $-40\pm 3\text{ }^{\circ}\text{C}$ for 48 hours and then being placed in natural condition for 1 hour, receiver shall be measured.
3	Humidity Test	After being placed in a chamber with 85 to 90%R.H. at $+40\pm 2\text{ }^{\circ}\text{C}$ for 96 hours and then being placed in natural condition for 1 hour, receiver shall be measured.
4	Thermal Shock Test	<p>After being placed in a chamber at $+55\text{ }^{\circ}\text{C}$ for 1 hour, then receiver shall be placed in a chamber at $-25\text{ }^{\circ}\text{C}$ for 1 hour(1 cycle is the below diagram).</p> <p>After 6 above cycles, receiver shall be measured after being placed in natural condition for 1 hour.</p> 
5	Vibration Test	After being applied vibration of amplitude of 1.0mm with 10 to 55Hz band of vibration frequency to each of 3 perpendicular directions for 1 hour, then placed in natural condition for 1 hour, receiver shall be measured.
6	Drop Test	The receiver when mounted in the jig which weight 85g~100g, shall with stand 3 times random drops from a height of 1.0 meter to a concrete floor faced with 5mm thick hard wood board.and be nothing mechanical damage.
7	Load test	After being applied loading white noise with input power 10mW for 96 hours, then placed in natural condition for 1 hour, receiver shall be measured.
8	Insulation test	When they are measured with DC 100V the insulation resistance between v.c. terminal and frame must be more than 1 M Ω

Specification for Receiver		Page	5/10
		Revision No.	1.0
Model No. :	KPDR-150	Drawing No.	kf3.002.044

5. Measurement Block Diagram & Response curve

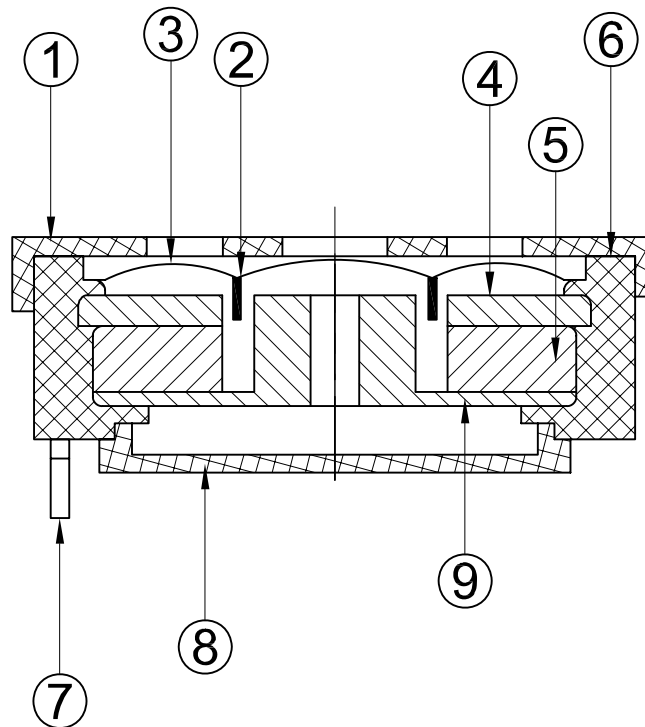


EAR PLACE



Specification for Receiver		Page	6/9
Model No. : KPDR-150		Revision No.	1.0
		Drawing No.	kf3.002.044

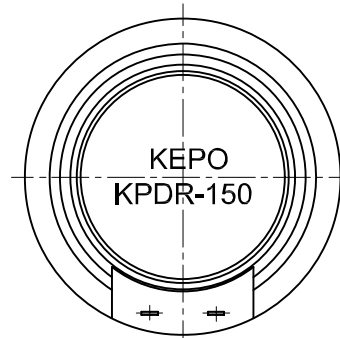
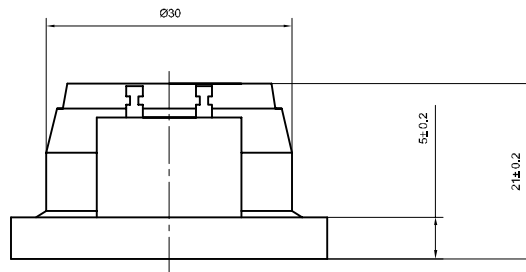
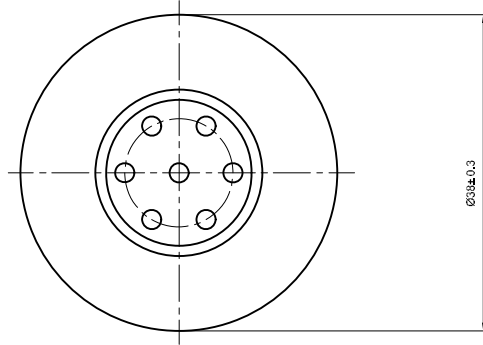
6. Structure



9	T Yoke	1	SPCC	
8	Lid	1	ABS	
7	pin	1	copper	
6	Frame	1	ABS	
5	Magnet	1	Y30	
4	Plate	1	SPCC	
3	Diaphragm	1	PET	
2	Voice Coll	1	Copper	
1	Cap	1	ABS	
No.	Part Name	Q'TY	Material	Remarks

Specification for Receiver		Page	7/9
Model No. : KPDR-150		Revision No.	1.0
		Drawing No.	kf3.002.044

7. Dimensions



FIRST ANGLE PROJECTION



UNIT : mm
Tolerance : ± 0.2

Specification for Receiver	Page	8/9
	Revision No.	1.0
Model No. : KPDR-150	Drawing No.	kf3.002.044

8. Packing

Each minimum package unit of products shall be in a carton box and it shall be clearly marked with Part Number, quantity and outgoing inspection number.

There shall be no mechanical damage on products during transportation and/or in storage.

