

SPECIFICATION 产品规格书

受 控

Customer :
客户 :

Applied To : Great Wall Motor
应用于 :

Customer Model Name : E1165742
客户型号 :

Product Name : Speaker 扬声器
产品名称 :




Model Name : KP90X50SP5R4-Q7795
产品型号 :

Drawing No. : KFC7795
图号 :

Signature of Appronal

--

Signature of KEPO

Approved by 批准	Checkde by 审核	Issued by 制	编	Date 日期
				

宁波凯普电子有限公司

Ningbo Kepo Electronics Co.,Ltd.



宁波东钱湖镇东钱湖工业区宝源路 25 号

TEL:+86-574-88370330 FAX:+86-574-88370329

No.25 Baoyuan road Dongqian Lake, Industry Area, Dongqian town, Ningbo City,
China(Post Code:315121)

Sales@chinaacoustic.com www.chinaacoustic.com

Specification for Speaker 扬声器扬声器产品规格书		Page 页码	2/9
		Revision No. 版本号	1.1
Model No. 产品型号 :	KP90X50SP5R4-Q7795	Drawing No. 图号	KFC7795

CONTENTS 目录

1. Scope 应用范围
2. General 总体特性
3. Electrical and Acoustic Characteristics. 电气性能
4. Reliability Test 可靠性试验
5. Measurement Block Diagram & Response curve 测试方法及测试曲线
6. Structure 结构
7. Dimensions 外形尺寸
8. Packing 包装
9. Revision 修正记录

Specification for Speaker 扬声器扬声器产品规格书		Page 页码	3/9
		Revision No. 版本号	1.1
Model No. 产品型号 :	KP90X50SP5R4-Q7795	Drawing No. 图号	KFC7795

1. Scope 应用范围

This specification is applied to the dynamic speaker which is used all of the electrical acoustic product. 本规范适用于动圈式扬声器
 -- applications: car speaker, TV speaker, etc. ... 应用 : 汽车扬声器、电视扬声器

2. General 总体特性

- 2.1 Out-Diameter外径 : 90.7x50.7 mm
 2.2 Height 高 : 36.1 mm
 2.3 Weight 重量 : 125 g
 2.4 Operating Temperature range: 工作环境温度
 -40 ~+85 °C without loss of function
 2.5 Store Temperature range: 存储温度
 -40 ~+85 °C without loss of function

3. Electrical and Acoustic Characteristics. 电气性能

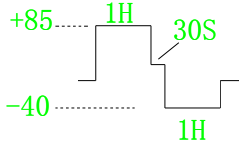
Test condition测试环境 : 15 ~ 35 °C, 25% ~ 85% RH, 860~1060 mbar

No	Items规格	Specification 参数
1	Impedance 阻抗	4 Ω ± 20% (1Vrms at 1KHz)
2	Sound Pressure Level 声压	82 dB ± 2dB (1W/1M Avg. at 0.5,0.6,0.8,1.0kHz)
3	Resonance Frequency频率	220 Hz ± 20%
4	Frequency Range 有效频率范围	Fo ~10KHz
5	Input Power 输入功率	Rated 额定 4 W / Max.最大 8 W
6	Distortion失真	3% Max. at 1kHz 4W
7	Buzz and Rattle 噪音	Should not be audible buzzes,rattles when the 4V sine wave signal swept at frequency range.输入4V额定功率电压,有效频宽扫频,无异常音
8	Polarity 极性	When supplied plus D.C. voltage to (+) terminal, the cone diaphragm must move to forward. 当电源的正极接入端子的正极时,音盆向上

Specification for Speaker 扬声器扬声器产品规格书		Page 页码	4/9
		Revision No. 版本号	1.1
Model No. 产品型号 :	KP90X50SP5R4-Q7795	Drawing No. 图号	KFC7795

4. Reliability Test 可靠性试验

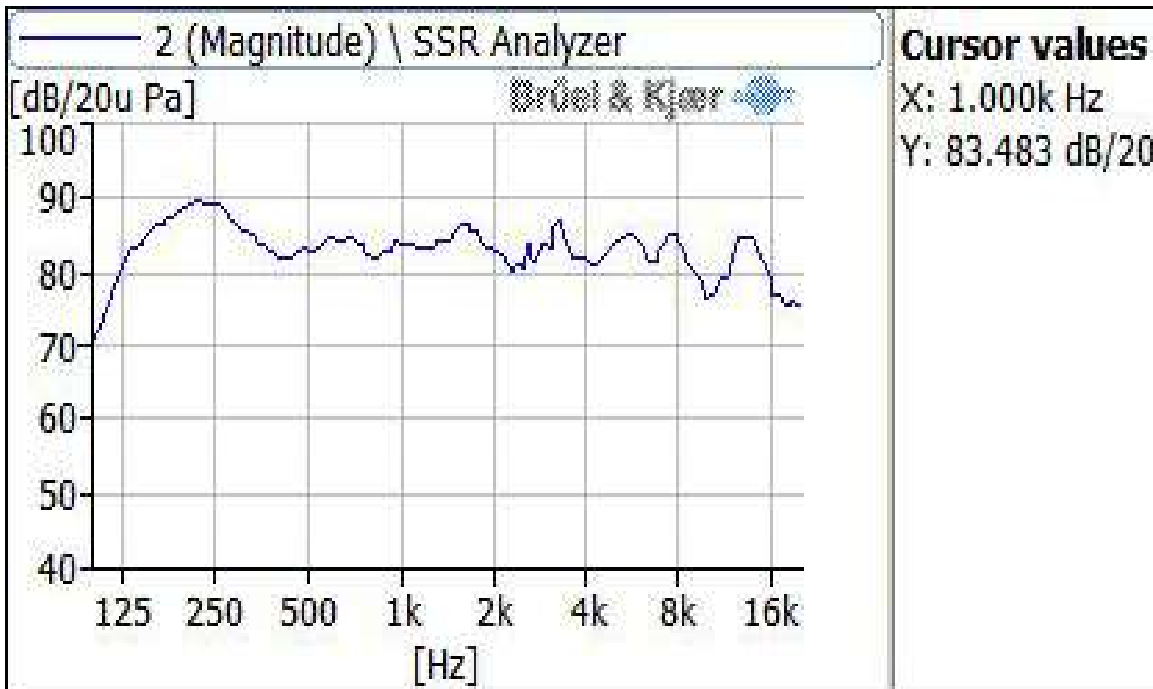
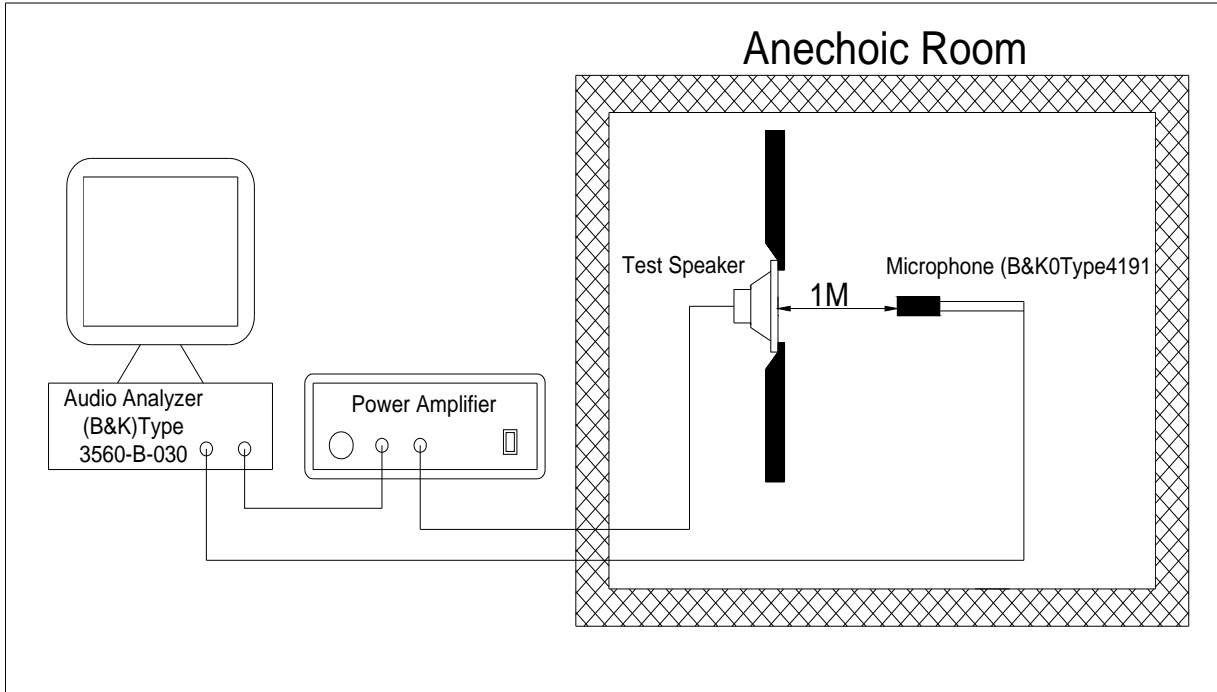
After test(1~7item), the speaker S.P.L . difference shall be within $\pm 3\text{dB}$, and the appearance not exist any change to be harmful to normal operation(e.g. cracks,rusts,damages and especially distortion). 试验-1~7项后，扬声器的声压保持在 $\pm 3\text{dB}$ ，不存在影响其正常运行的外观改变（压边开裂和失真等）

No	Items项目	Specification 规格要求
1	High Store Temperature Test 高温存贮试验	After being placed in a chamber with $+85 \pm 3 \text{ }^\circ\text{C}$ for 96 hours and then being placed in natural condition for 1 hour, speaker shall be measured. $+85 \pm 3 \text{ }^\circ\text{C}$ 放置96小时，室温放置1小时后测试
2	Low Store Temperature Test 低温存贮试验	After being placed in a chamber with $-40 \pm 3 \text{ }^\circ\text{C}$ for 96 hours and then being placed in natural condition for 1 hour, speaker shall be measured. $-40 \pm 3 \text{ }^\circ\text{C}$ 下放置96小时，室温放置1小时后测试。
3	High temperature high humidity working testing 高温高湿工作试验	Temperature $+55 \text{ }^\circ\text{C} \pm 2$, humidity $95 \pm 5\%$, rated power 4V,white noise test for 10 mins working,and 50 mins off, as one circle, repeat for 96hours,and put in room temperature 1 hours, and then test 环境温度 $+55 \text{ }^\circ\text{C} \pm 2 \text{ }^\circ\text{C}$ 湿度95% 输入4V电压，白噪声信号，10分钟工作，50分钟停止。持续96小时，室温下放置1小时后测试。
4	Thermal Shock Test 冲击试验	$+85^\circ\text{C}$ for one hours, -40°C for 1 hours, temperature descend time 30S, above as one circle, continue 100times circles. and then put in room temperature for 1 hours and then test $+85^\circ\text{C}$ 1小时 -40°C 1小时，转换时间 30s,一个循环，共做100个循环，室温放置1小时后测试 
5	Vibration Test 振动试验	After being applied vibration of amplitude of 1.5mm with 10 to55Hz band of vibration frequency to each of 3 perpendicular directions for 1 hour, then placed in natural condition for 1 hour, speaker shall be measured.产品固定在试验台上，振幅 1.5mm 频率10-55 Hz 每个轴 1小时共三轴试验完成后室温放置1小时后测试
6	Drop Test 跌落 测试	Package product to carton, from 1 M height , 6 directions fall to concrete 包装箱离地放1M高，6个面跌落，然后检测产品
7	Reliable test	Room temperature, input rated power 4V,white noise test for 1000 hours, put in room temperature for 1 hours and then test 室温 输入4V电压，白噪声 连续 1000小时。试验后室温放置1小时后测试。
8	Low temperature working test 低温工作试验	$-40 \text{ }^\circ\text{C} \pm 2$ input rate power 4V, white noise test, 10min working,50mins off , as one circle, and repeat for 96 hours. put in room temperature for 1 hour and then test $-40 \text{ }^\circ\text{C}$ 环境下白噪声信号 输入电压 4V，10分钟工作，50分钟停，连续工作96小时。然后室温下放置1小时后测试
9	High temperature working test 高温工作试验	$+85 \text{ }^\circ\text{C} \pm 2$ input rate power 4V, white noise test, 10min working,50mins off , as one circle, and repeat for 96 hours. put in room temperature for 1 hour and then test $+85 \text{ }^\circ\text{C} \pm 2$ 环境下白噪声信号输入电压 4V，10分钟工作，50分钟停，连续工作96小时。然后室温下放置1小时后测试

Model No. 产品型号 : KP90X50SP5R4-Q7795

5. Measurement Block Diagram & Response curve

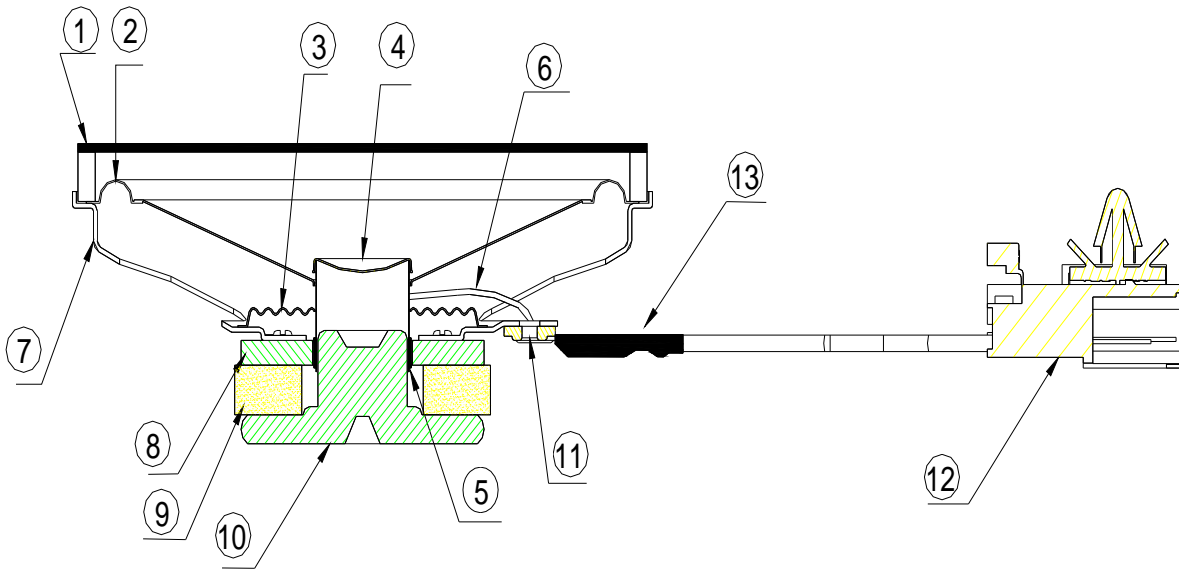
测试方法及测试曲线



Model No.
产品型号 :

KP90X50SP5R4-Q7795

6. Structure 结构



13	Heat-shrinkable tubing 热缩套管	2	PVC	
12	connector 接插件	1	PA6+copper+PVC	THB P/N:pp0452701 pp0452702 Housing:White,Clip:black
11	Terminal 接线板	1	epoxy +Copper	
10	T yoke T铁	1	Q 235	
9	Magnet 磁钢	1	Ferrite	
8	Plate 夹板	1	Q 235	
7	Frame 盆架	1	ST12	
6	Wire 导线	2	Copper	
5	Voice Coil 音圈	1	Paper+Copper	
4	Dust Cap防尘帽	1	Paper	
3	Damper 弹波	1	Cotton	
2	cone 音盆	1	Cloth+Paper	
1	Gasket 压边	1	Paper+foam edge pad	
No.	Part Name	Q'ty	Material	Remarks

Model No.

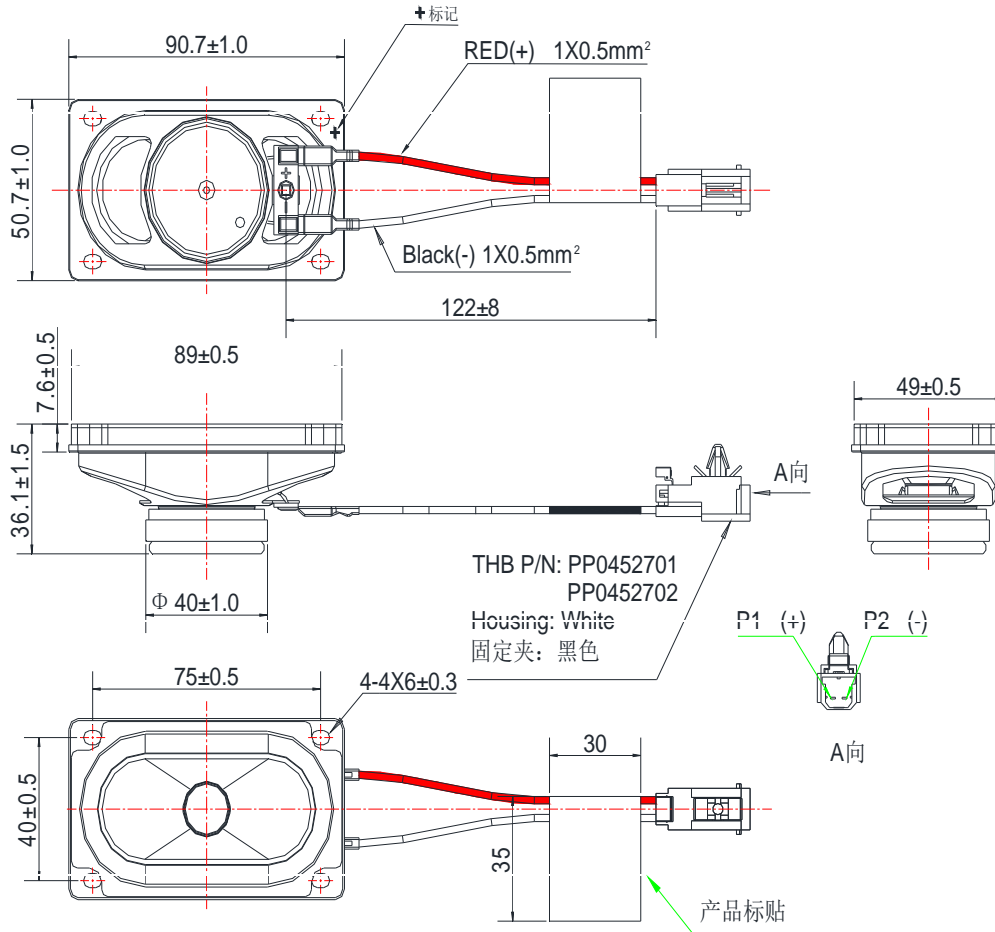
KP90X50SP5R4-Q7795

产品型号 :

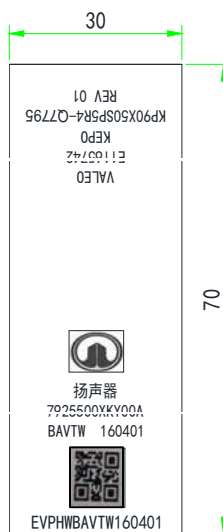
Drawing No. 图号

KFC7795

7. Dimensions 尺寸



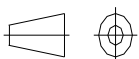
产品标贴:



注: 无边框

二维码格式: QR Code
内容: EVPHWBAVTW160401
160401 为生产追溯码: 16年04月01生产批次号, 每批次变更

FIRST ANGLE PROJECTION



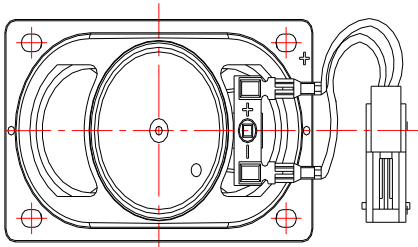
UNIT : mm

Tolerance : ±0.5

Model No.
产品型号 :

KP90X50SP5R4-Q7795

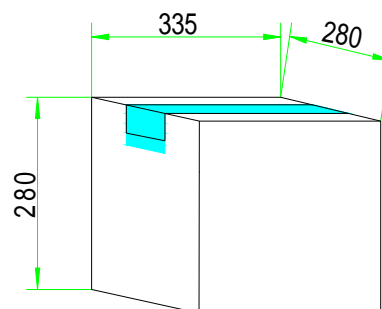
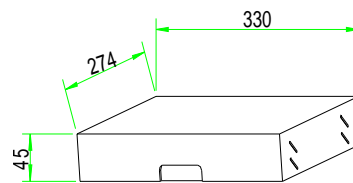
8. Packing 包装



(一) 1 PCS SPK 加胶袋包装

(二) 10PCS 一盒

物料标贴示意图：物料标贴，贴在外箱



(三) 6盒一箱 60PCS

QTY:60PCS

内盒尺寸：330x274X45mm

包装箱外尺寸：335X280X280mm

Specification for Speaker 扬声器扬声器产品规格书		Page 页码	9/9	
		Revision No. 版本号	1.1	
Model No. 产品型号 :	KP90X50SP5R4-Q7795		Drawing No. 图号	KFC7795

9. Revision 修改

Rev. No.版本	DATE日期	PAGE	DESCRIPTION内容描述	BOM
1.0	2016.05.03		Primary	1.0
1.1	2017.7.24		增加客户型号 E1165742	1.0