

# SPECIFICATION

Customer : Simcom

Applied To :

Product Name : Speaker

Model Name : KP3040SP1-2084

Drawing No. : KFC2084

Signature of Approval

--

Signature of KEPO

Approved by	Checked by	Issued by	Date



**Ningbo KePO Electronics Co.,Ltd.**

*Address: No.25 Baoyuan Road Dongqian Lake Industrial Area  
Dongqian Lake, Ningbo315121, China*

*Tel: +86(574)88371186, 88370330*

*Fax: +86(574)88370329*

*http://www.chinaacoustic.com*

*E-mail: Sales@kepo.com.cn*

Specification for Speaker	Page	2/9
Model No. : KP3040SP1-2084	Revision No.	1.2
	Drawing No.	KFC2084

## CONTENTS

1. Scope
2. General
3. Electrical and Acoustic Characteristics.
4. Reliability Test
5. Measurement Block Diagram & Response curve
6. Structure
7. Dimensions.
8. Packing

Specification for Speaker		Page	3/9
		Revision No.	1.2
Model No. :	KP3040SP1-2084	Drawing No.	KFC2084

## 1. Scope

This specification is applied to the two side dynamic speaker which is used all of the electrical acoustic product.

-- compact, rich sound

-- applications: mobile phone, PDA, notebook computer, etc. ..

## 2. General

2.1 Out-Diameter : Ø30 mm

2.2 Height : 4.0mm

2.3 Weight : 6.0gr.

2.4 Operating Temperature range:

-20~+60℃ without loss of function

2.5 Store Temperature range:

-25~+60℃ without loss of function

## 3. Electrical and Acoustic Characteristics.

Test condition : 15 ~ 35 ℃ , 25% ~ 85% RH, 860~1060 mbar

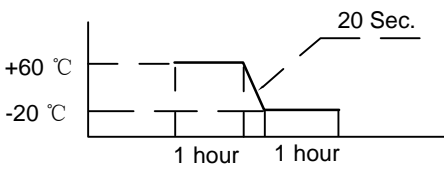
### 3.1 Speaker

	Items	Specification
1	Impedance	8 Ω ± 15%(at 1Vrms,1.5kHz)
2	Sound Pressure Level	90dB ± 3dB( 1kHz/0.1W/0.1M )
3	Resonance Frequency	650Hz ± 15%
4	Frequency Range	F <sub>o</sub> ~ 7.0kHz
5	Input Power	Rated 0.8W / Max. 1.5W
6	Distortion	<10% Max. at 2kHz/2Vrms
7	Buzz and Rattle	Should not be audible buzzes,rattles when the 2.5V sine wave signal swept at frequency range.
8	Polarity	When supplied plus D.C. voltage to (+) terminal, the cone diaphragm must move to forward.

Specification for Speaker		Page	4/9
Model No. :	KP3040SP1-2084	Revision No.	1.2
		Drawing No.	KFC2084

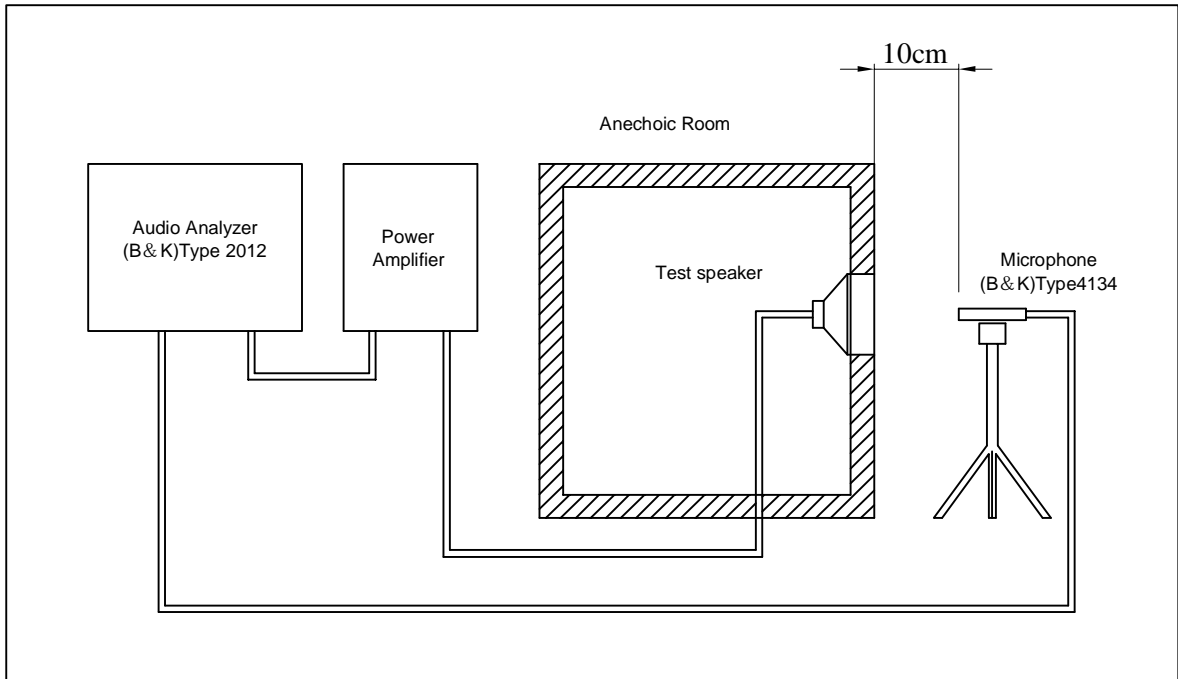
## 4. Reliability Test

After test(1~7item), the speaker S.P.L . difference shall be within  $\pm 3\text{dB}$ , and the appearance not exist any change to be harmful to normal operation(e.g. cracks,rusts,damages and especially distortion).

	Item	Specification
1	High Temperature Test	After being placed in a chamber with $+60\pm 3\text{ }^\circ\text{C}$ for 96 hours and then being placed in natural condition for 1 hour, speaker shall be measured.
2	Low Temperature Test	After being placed in a chamber with $-20\pm 3\text{ }^\circ\text{C}$ for 96 hours and then being placed in natural condition for 1 hour, speaker shall be measured.
3	Humidity Test	After being placed in a chamber with 60 to 90%R.H. at $+40\pm 2\text{ }^\circ\text{C}$ for 96 hours and then being placed in natural condition for 1 hour, speaker shall be measured.
4	Thermal Shock Test	<p>After being placed in a chamber at <math>+60\text{ }^\circ\text{C}</math> for 1 hour, then speaker shall be placed in a chamber at <math>-20\text{ }^\circ\text{C}</math> for 1 hour(1 cycle is the below diagram).</p> <p>After 6 above cycles, speaker shall be measured after being placed in natural condition for 1 hour.</p> 
5	Vibration Test	After being applied vibration of amplitude of 1.5mm with 10 to 55Hz band of vibration frequency to each of 3 perpendicular directions for 1 hour, then placed in natural condition for 1 hour, speaker shall be measured.
6	Drop Test	The speaker when mounted in the jig which weight 85g~100g, shall with stand 15 times random drops from a height of 1.5 meter to a concrete floor faced with 5mm thick hard wood board.and be nothing mechanical damage.
7	Load test	After being applied loading white noise with input power 0.8W(2.5Vrms.) for 96 hours, then placed in natural condition for 1 hour, speaker shall be measured.
8	Insulation test	When they are measured with DC 100V the insulation resistance between v.c. terminal and frame must be more than 1 M $\Omega$

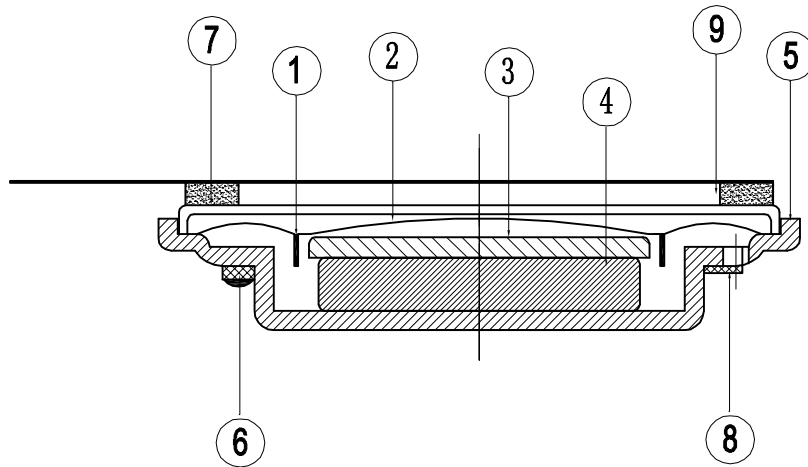
Specification for Speaker	Page	5/9
	Revision No.	1.2
Model No. : KP3040SP1-2084	Drawing No.	KFC2084

## 5. Measurement Block Diagram & Response curve



Specification for Speaker		Page	6/9
		Revision No.	1.2
Model No. :	KP3040SP1-2084	Drawing No.	KFC2084

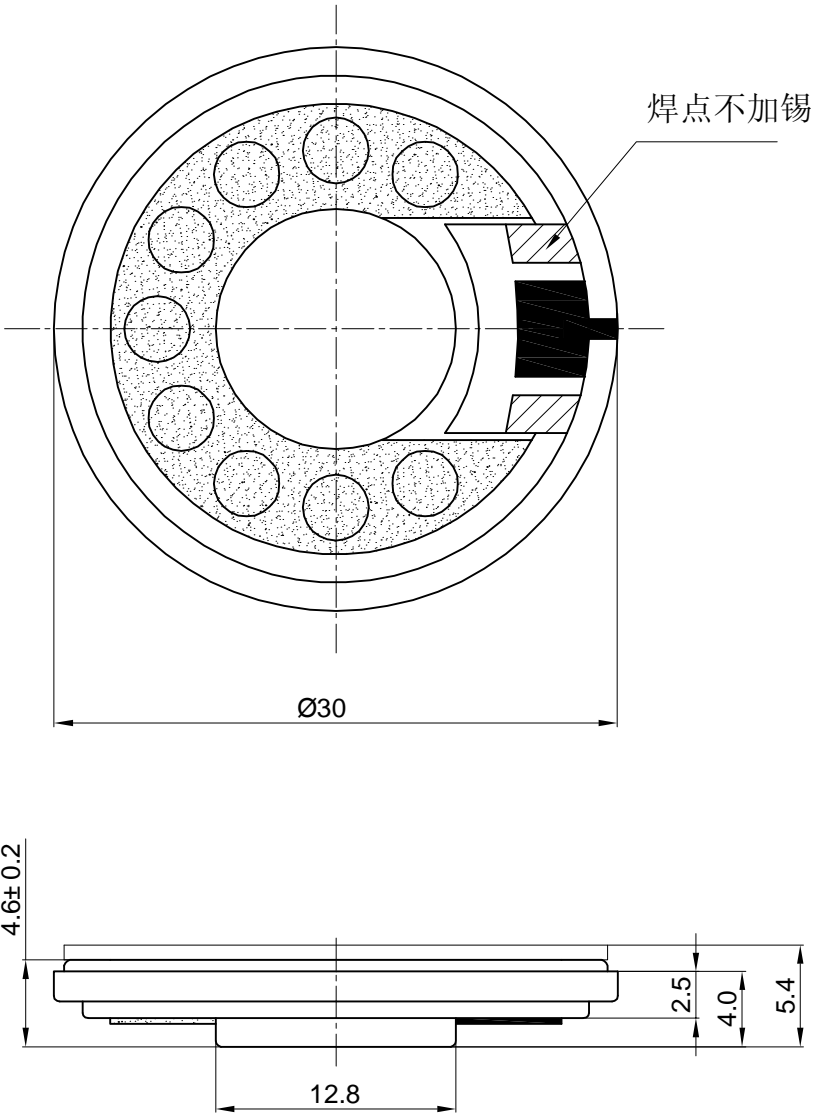
## 6. Structure



9	Gasket	1	unwoven fabric	800+PSR0.5+800+2B
8	Screen	1	Fabric	
7	Cap	1	PBT	
6	Terminal	1	Epoxy PCB	
5	Frame	1	SPC	
4	Magnet	1	Nd-Fe-B	
3	Plate	1	SPC	
2	Diaphragm	1	PET	
1	Voice Coil	1	Copper	
No.	Part Name	Q'TY	Material	Remarks

Specification for Speaker		Page	7/9
		Revision No.	1.2
Model No. :	KP3040SP1-2084	Drawing No.	KFC2084

### 7. Dimensions



FIRST ANGLE PROJECTION

UNIT : mm  
Tolerance :  $\pm 0.5$

Specification for Speaker	Page	8/9
	Revision No.	1.2
Model No. :                    KP3040SP1-2084	Drawing No.	KFC2084

## 8. Packing

Each minimum package unit of products shall be in a carton box and it shall be clearly marked with Part Number, quantity and outgoing inspection number.

There shall be no mechanical damage on products during transportation and/or in storage.



