

Specification for Speaker	Page	2/9
Model No. : KP2348SP1-5833	Revision No.	1.2
	Drawing No.	KFC5833

## CONTENTS

1. Scope
2. General
3. Electrical and Acoustic Characteristics.
4. Reliability Test
5. Measurement Block Diagram & Response curve
6. Structure
7. Dimensions
8. Packing
9. Revision

Specification for Speaker		Page	3/9
		Revision No.	1.2
Model No. :	KP2348SP1-5833	Drawing No.	KFC5833

## 1. Scope

This specification is applied to the dynamic speaker which is used all of the electrical acoustic product.

- compact, rich sound
- applications: telephone, computer, etc. ...

## 2. General

- 2.1 Out-Diameter : Ø23 mm
- 2.2 Height : 4.8 mm
- 2.3 Weight : 5.4 gr.
- 2.4 Operating Temperature range:  
-25~+65°C without loss of function
- 2.5 Store Temperature range:  
-30~+70°C without loss of function

## 3. Electrical and Acoustic Characteristics.

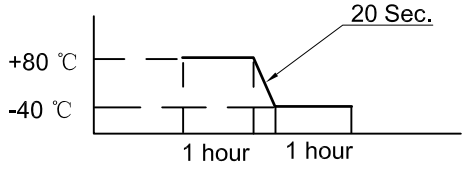
Test condition : 15 ~ 35 °C, 25% ~ 85% RH, 860~1060 mbar

	Items	Specification
1	Impedance	8 Ω ± 1.2 Ω (at 1Vrms,2000Hz)
2	Sound Pressure Level	92dB ± 3dB( 0.1W/0.1M at 1kHz)
3	Resonance Frequency	900Hz ± 15%
4	Frequency Range	F <sub>0</sub> ~ 20.0kHz
5	Input Power	Rated 0.8W / Max. 1.2W
6	Distortion	<5% Max. at Rated power input 1000Hz
7	Buzz and Rattle	Should not be audible buzzes,rattles when the 0.8W sine wave signal swept at frequency range.
8	Polarity	When supplied plus D.C. voltage to (+) terminal, the cone diaphragm must move to forward.

Specification for Speaker		Page	4/9
Model No. : KP2348SP1-5833		Revision No.	1.2
		Drawing No.	KFC5833

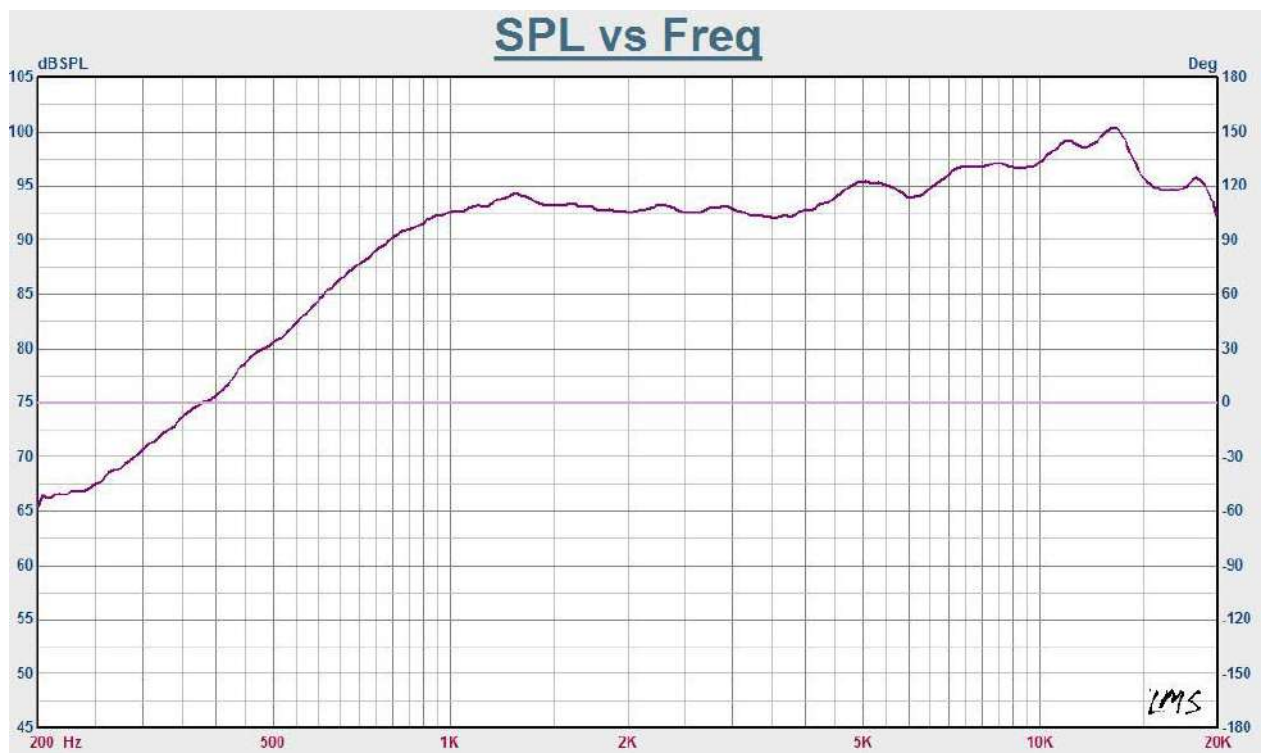
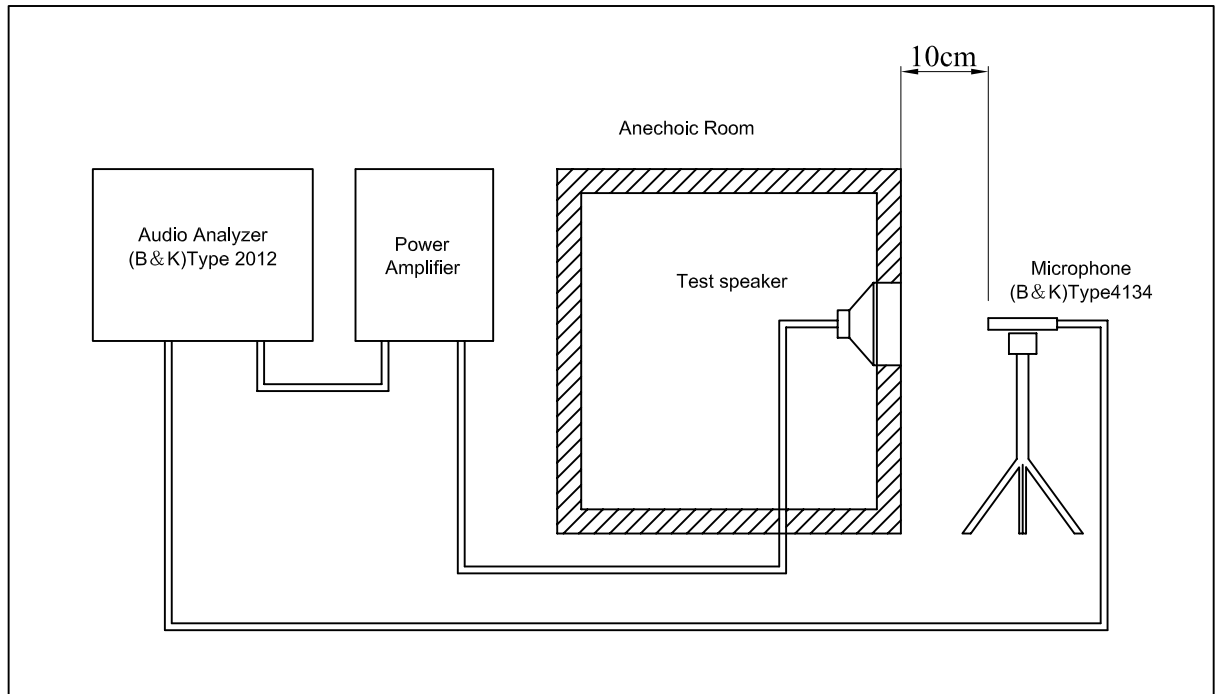
## 4. Reliability Test

After test(1~7item), the speaker S.P.L . difference shall be within  $\pm 3\text{dB}$ , and the appearance not exist any change to be harmful to normal operation(e.g. cracks,rusts,damages and especially distortion).

	Item	Specification
1	High Temperature Test	After being placed in a chamber with $+85\pm 3\text{ }^\circ\text{C}$ for 96 hours and then being placed in natural condition for 1 hour, speaker shall be measured.
2	Low Temperature Test	After being placed in a chamber with $-40\pm 3\text{ }^\circ\text{C}$ for 96 hours and then being placed in natural condition for 1 hour, speaker shall be measured.
3	Humidity Test	After being placed in a chamber with 85 to 90%R.H. at $+40\pm 2\text{ }^\circ\text{C}$ for 96 hours and then being placed in natural condition for 1 hour, speaker shall be measured.
4	Thermal Shock Test	<p>After being placed in a chamber at <math>+80\text{ }^\circ\text{C}</math> for 1 hour, then speaker shall be placed in a chamber at <math>-40\text{ }^\circ\text{C}</math> for 1 hour(1 cycle is the below diagram).</p> <p>After 6 above cycles, speaker shall be measured after being placed in natural condition for 1 hour.</p> 
5	Vibration Test	After being applied vibration of amplitude of 1.5mm with 10 to 55Hz band of vibration frequency to each of 3 perpendicular directions for 1 hour, then placed in natural condition for 1 hour, speaker shall be measured.
6	Drop Test	The speaker when mounted in the jig which weight 85g~100g, shall with stand 15 times random drops from a height of 1.5 meter to a concrete floor faced with 5mm thick hard wood board.and be nothing mechanical damage.
7	Load test	After being applied loading white noise with input power 0.8 W for 96 hours, then placed in natural condition for 1 hour, speaker shall be measured.
8	Insulation test	When they are measured with DC 100V the insulation resistance between v.c. terminal and frame must be more than 1 M $\Omega$

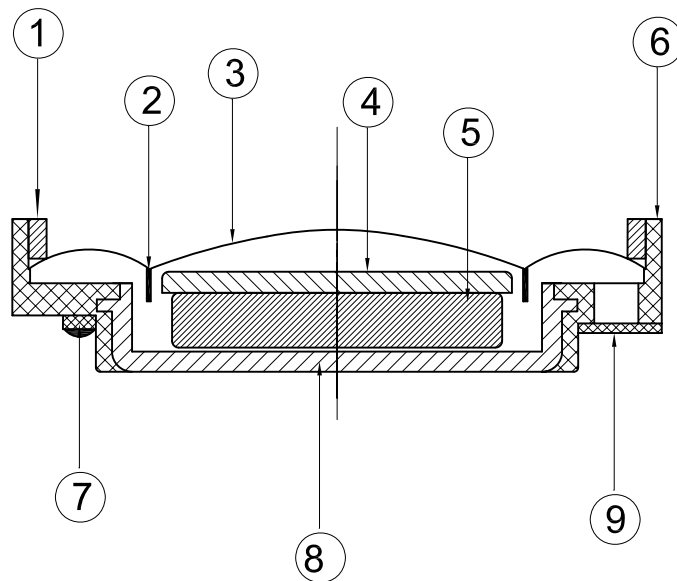
Specification for Speaker	Page	5/9
	Revision No.	1.2
Model No. : KP2348SP1-5833	Drawing No.	KFC5833

## 5. Measurement Block Diagram & Response curve



Specification for Speaker		Page	6/9
		Revision No.	1.2
Model No. : KP2348SP1-5833		Drawing No.	KFC5833

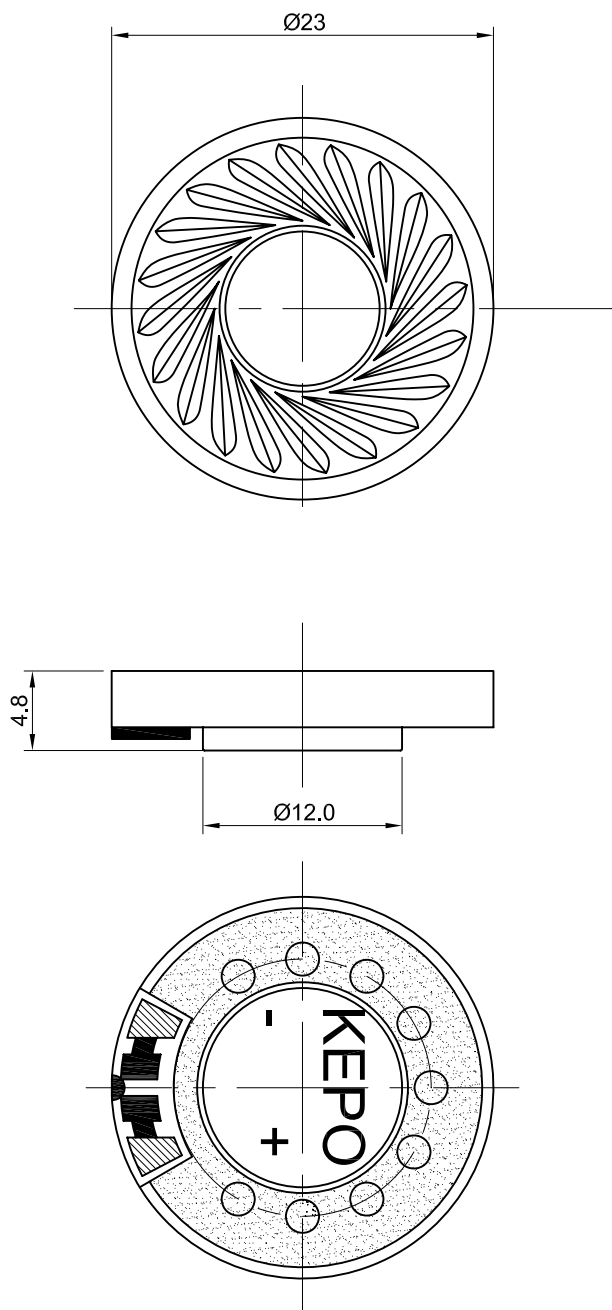
## 6. Structure



9	Screen	1	2B	
8	U YOKE	1	SPC	
7	Terminal	1	Epoxy PCB	
6	Frame	1	PBT	
5	Magnet	1	Nd-Fe-B	
4	Plate	1	SPC	
3	Diaphragm	1	PET	
2	Coil	1	Copper	
1	Gasket	1	Paper	
No.	Part Name	Q'TY	Material	Remarks

Specification for Speaker	Page	7/9
	Revision No.	1.2
Model No. : KP2348SP1-5833	Drawing No.	KFC5833

## 7. Dimensions



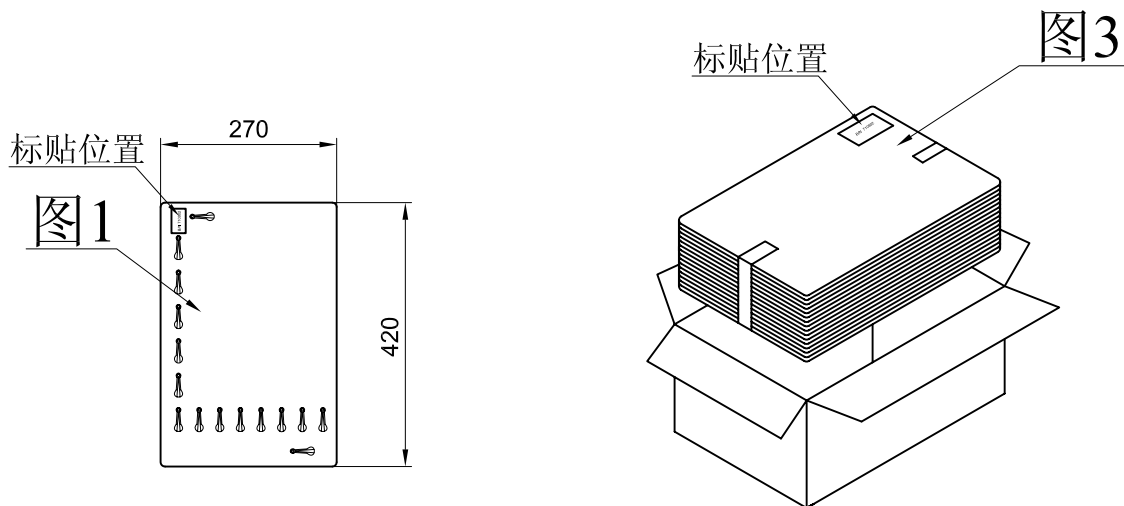
FIRST ANGLE PROJECTION



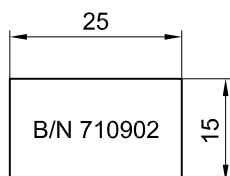
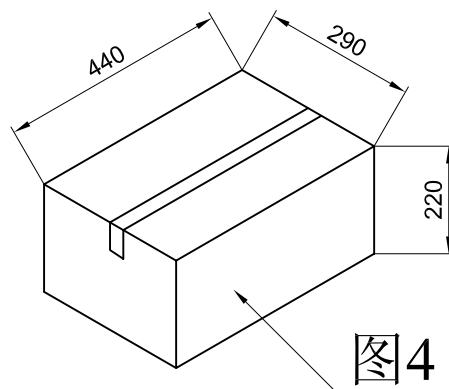
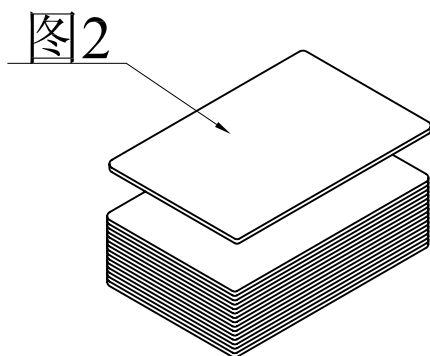
UNIT : mm  
Tolerance :  $\pm 0.2$

Specification for Speaker	Page	8/9
	Revision No.	1.2
Model No. : KP2348SP1-5833	Drawing No.	KFC5833

## 8. Packing



85Pcs



- 1, 平板每层的右上角需贴一个标贴。
- 2, 每打好一扎的最上层平板的右上角也需要贴上一个标贴。见图3
- 3, 标贴具有防水防油

QTY: 1700Pcs

440 x290 x220