

A

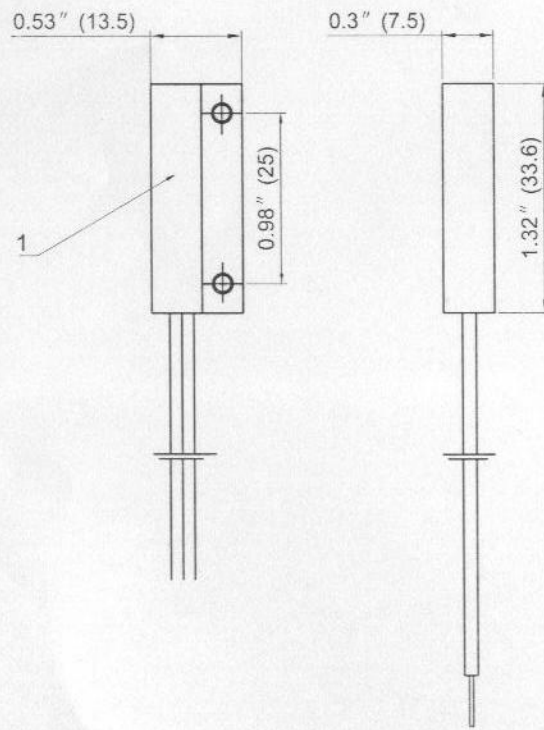
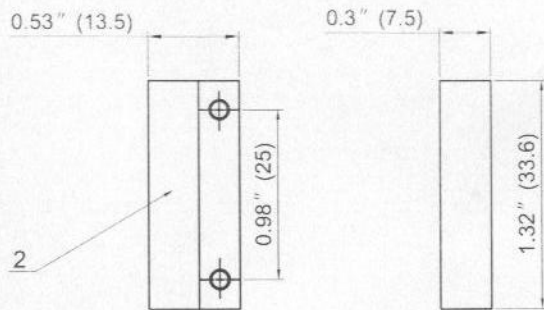
B

C

D

E

F



### FEATURES

- \* Screw mount or self adhesive
- \* 22#AWG,18" standard leads
- \* Longer leads on request
- \* Thick plastic shell to prevent crushing
- \* Switches or magnets available seperately
- \* Color :white

### SPECIFICATION

1. Loop Type.....Closed
2. Reed Form.....NO
3. Gap(inch(mm)).....0.87"(22)
4. MaximumInitial ContactResistance(Ohm).....0.15
5. Maximum ContactRating(W).....3
6. Maximum SwitchVoltage(Vdc/Vac).....100
7. Maximum SwitchingCurrent(A).....0.5

				<b>KEPO</b> NINGBO KEPO ELECTRONIC CO., LTD <a href="http://www.chinaacoustic.com">http://www.chinaacoustic.com</a>	
				Magnetic Contact Switches	
No.	DESCRIPTION	APPROVED	DATE	KP-1102-S	
<small>TOLERANCES UNLESS NOTED OTHERWISE X . = XX + XXX - OF FRACTIONAL ANGLES °</small>		APPROVALS		DATE	UNIT
<small>FIRST ANGLE PROJECTION</small>		DRAWN	<i>[Signature]</i>		mm
		CHECKED	<i>[Signature]</i>		DWG NO
		APPROVED	<i>[Signature]</i>	08.11.29	KP3.843.413
		SCALE		NOT TO SCALE	SHEET
					VER 1.0