

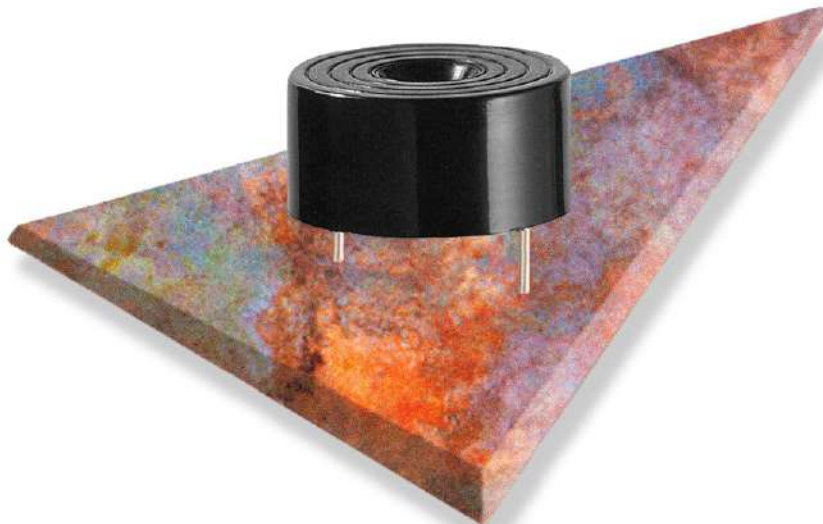
PIEZO BUZZER

Material of Case: ABS

Colour: Black

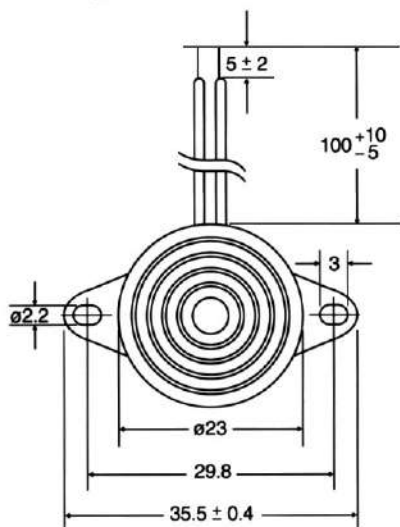
Operating Temperature: -20°C $+60^{\circ}\text{C}$

Storage Temperature: -30°C $+70^{\circ}\text{C}$

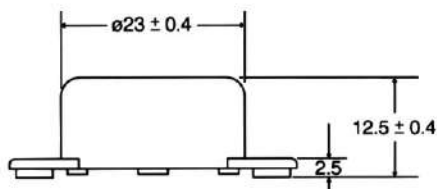


DIMENSIONS (in mm)

Leadwire Type

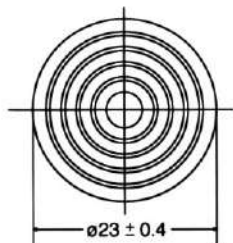


Top View

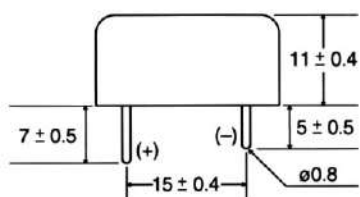


Side View

Pin Type



Top View



Side View

Electrical Specifications

Model No.	24S3050	24S3120	24S4120	24S5030	24S5050	24S5120
Operating Voltage (VDC)	1.5-8	1.5-15	1.5-15	2-5	1.5-8	1.5-15
Rated Voltage (VDC)	5	12	12	3	5	12
Max. Current at Rated Voltage (mA)	8	10	10	5	8	10
Frequency (KHz)	3.0±0.5	3.0±0.5	4.5±0.5	5.2±0.5	5.2±0.5	5.2±0.5
Min. Sound Pressure at Rated Voltage (dBA/30cm)	80	85	85	80	80	90
Tone	SINGLE	SINGLE	SINGLE	SINGLE	SINGLE	SINGLE
Pulse Rate at Rated Voltage (Pulse/Sec)	NIL	NIL	NIL	NIL	NIL	NIL
Terminal	LEAD/PIN	LEAD/PIN	LEAD/PIN	LEAD/PIN	LEAD/PIN	LEAD/PIN