

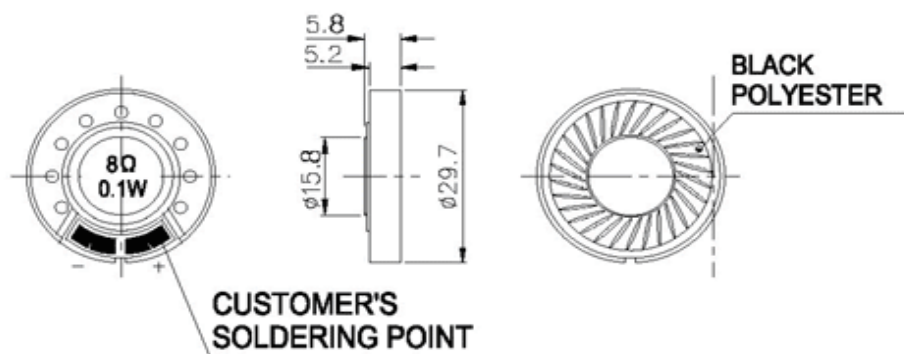
Shape

KDSG30008



Model Number	KDSG30008
Rated Input (W)	0.1
Maximum Input (W)	0.2
Impedance (Ω)	$8 \pm 15\% @ 1\text{KHz} 1.0\text{V}$
Rated Frequency (Hz)	$460 \pm 20\% @ 1.0\text{V}$
Sound Pressure Level (dB)	$88 \pm 3\text{dB} (0.1\text{W}/10\text{cm}), 78 \pm 3\text{dB} (1\text{W}/1\text{m}) @ 1.0\text{K}, 1.2\text{K}, 1.5\text{K}, 2.0\text{KHz}$
Frequency Range (Hz)	Fo---5K
Magnet (mm)	$\varnothing 9.5 \times 1.5 \text{ Ne-Fe-B}$
Operating Temperature ($^{\circ}\text{C}$)	-20 ~ +55
Weight (Gram)	4.5
Material	ABS

Dimension



Tol : ± 0.3 Unit : mm

Characteristic

